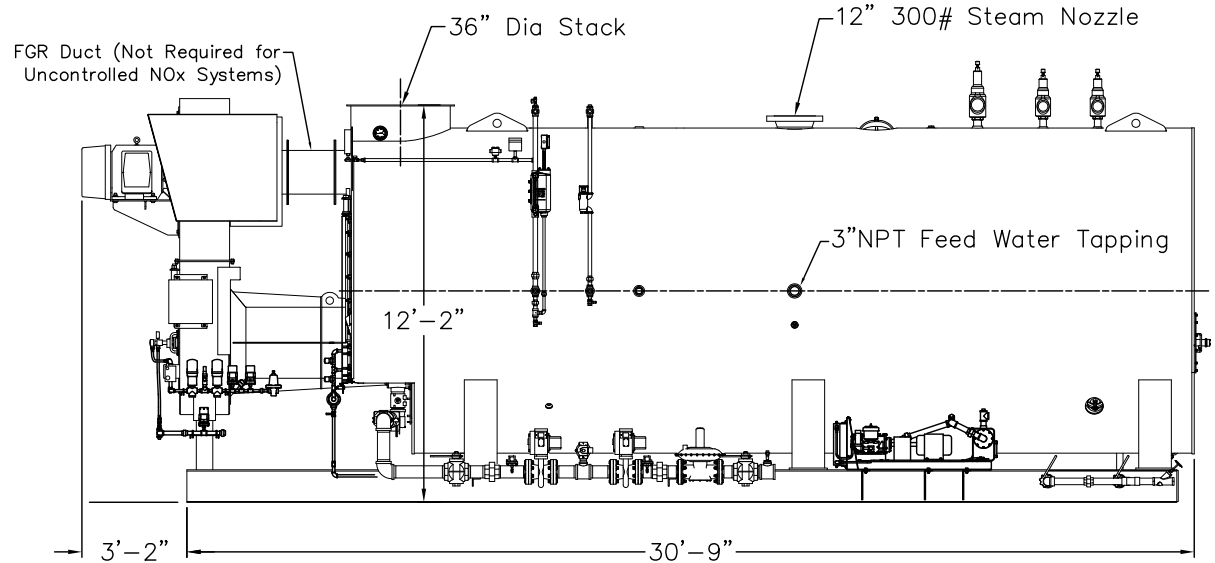
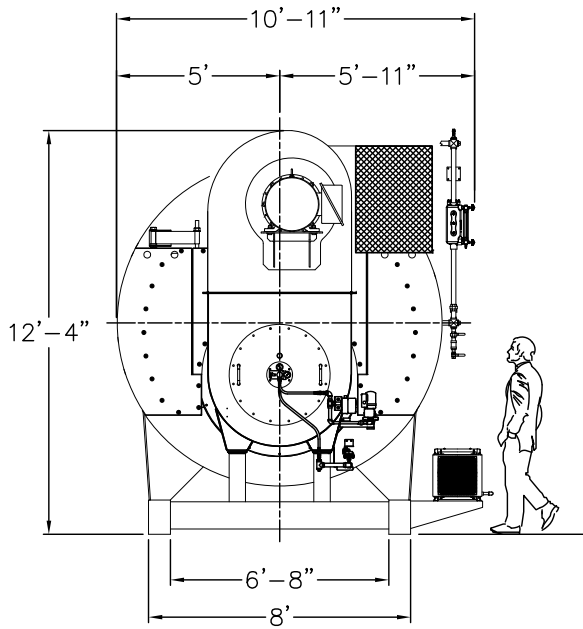
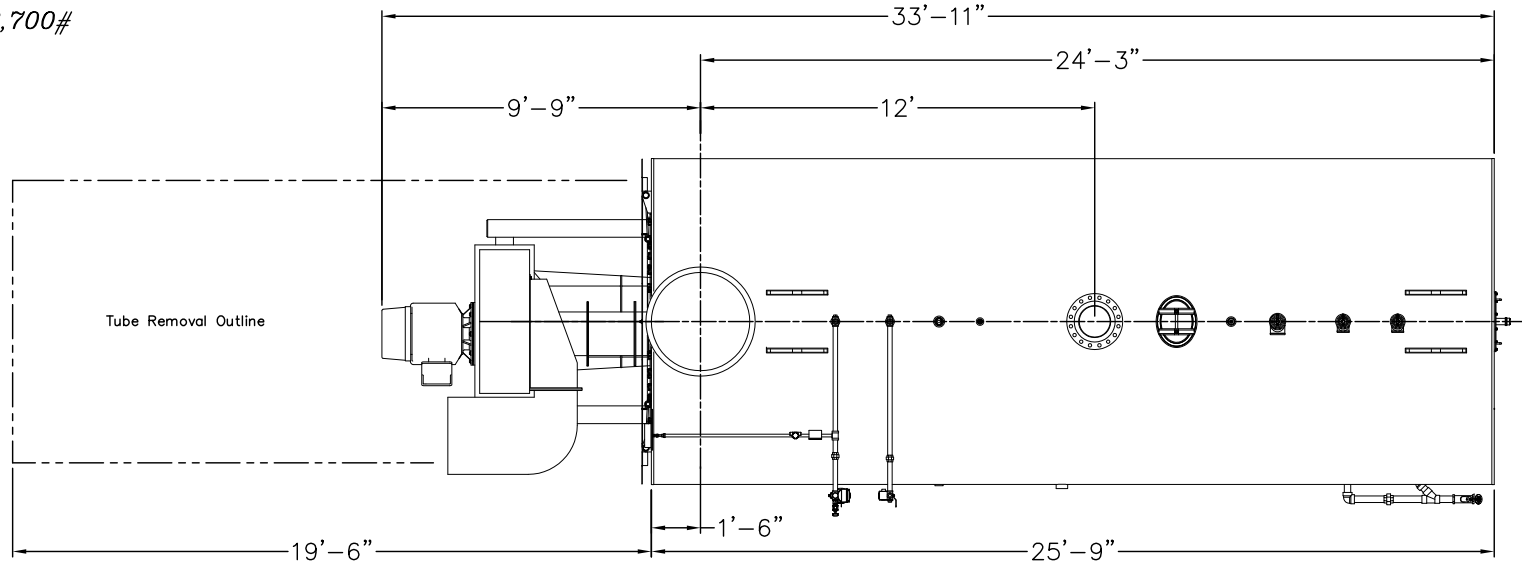


Boiler Shipping Weight: 72,700#
 Boiler Operating Weight: 118,100#
 Boiler Flooded Weight: 132,700#



E
E
D
C
B

THIS DRAWING IS PROPERTY OF CLEAVER-BROOKS, INC. IT IS SUBJECT TO CHANGE WITHOUT NOTICE, AND IS NOT TO BE COPIED OR USED IN ANY WAY DETRIMENTAL TO THE COMPANY.

REVISIONS

EN#	DATE	BY	REVISED TITLE/BLOCK
01	04/25/11	DJM	REVISED TITLE/BLOCK

ALL MATERIAL SIZES ON BILL OF MATERIAL ARE FOR REFERENCE ONLY. DRAWING DIMENSIONS MUST BE FOLLOWED. TOLERANCE, UNLESS OTHERWISE SPECIFIED:
 FRACTIONAL ± DECIMAL ±
 HOLE LOCATIONS ± ANGLES ±
 DRILLED, PUNCHED OR SLOTTED HOLES ± .010

SHT 01 OF 01

SCALE	N.T.S.
DATE	11/23/10
DRAWN	DJM
SIZE	C

CleaverBrooks
 GENERAL ARRANGEMENT,
 CBEX ELITE, 1500 HP 150#ST
 DRWG. NO. 722-07023-000 | 01