

MAJOR COMPONENTS

ITEM	DESCRIPTION
1	CONTROL PANEL
2	BURNER HOUSING COVER
3	CONTROL/TRIM PIPING
4	SURFACE BLOWOFF PIPING (OPTIONAL)
5	COLLECTOR PIPE (OPTIONAL)
6	HANDHOLES (4)
7	4 1/2" O.D. PIPE COMBUSTION AIR DIRECT VENT KIT.(OPTIONAL)
8	RELIEF VALVE, 1/2" INLET (SET @ 150#)
9	1" BLOWDOWN PIPING (OPTIONAL)
10	1" FEEDWATER PIPING (OPTIONAL)
11	1" GAS TRAIN PIPING
12	BLOWER MOTOR, 115V 50/60HZ, 335 W
13	BURNER SIGHT GLASS
14	VALVE, GAS 120VAC 3/4" NPT.
15	LOW GAS PRESSURE SWITCH
16	HIGH GAS PRESSURE SWITCH
17	GAS PRESSURE REGULATOR, MAXITROL RV#61
18	1" BALL VALVE (2)
19	AUX. LOW WATER CUT OFF PROBE HOLDER
20	LOW WATER AND PUMP CONTROL
21	BURNER CAN UNIT
22	COMBUSTION AIR PROVING SWITCH
23	STEAM PRESSURE GAUGE
24	LEAKAGE TEST COCKS (3)
25	CHEMICAL FEED PUMP

NOTES:

1. BOILER IS DESIGNED AND CONSTRUCTED IN ACCORDANCE WITH THE ASME BOILER AND PRESSURE VESSEL CODE: SECTION I.
2. BOILER HAS 2" BLANKET INSULATION, COVERED WITH SECTIONAL STAINLESS STEEL SHEET METAL LAGGING.
3. ASME CSD-1 COMPLIANT.
4. UNIT IS FACTORY FIRE TESTED.
5. BURNER IS FULLY MODULATING WITH 4:1 TURN DOWN.

ITEM	CONNECTIONS:
A	6" STACK OUTLET
B	1" NPT. GAS SUPPLY
C	1 1/2" NPT STEAM OUTLET
D	3/4" NPT. RELIEF VALVE OUTLET
E	1/2" NPT. CONDENSATE DRAIN & O2 SAMPLE
F	1" NPT. FEED WATER
G	1" NPT. BLOWDOWN
H	4" DIA. COMB. AIR/DIRECT VENT
J	1 1/4" NPT. SURFACE BLOWOFF CONNECTION
K	1/4" NPT. GAUGE GLASS DRAIN
L	3/4" NPT. WATER COLUMN DRAIN
M	1" NPT. OPTIONAL ALWCO
N	1/4" I.D. INLET & OUTLET

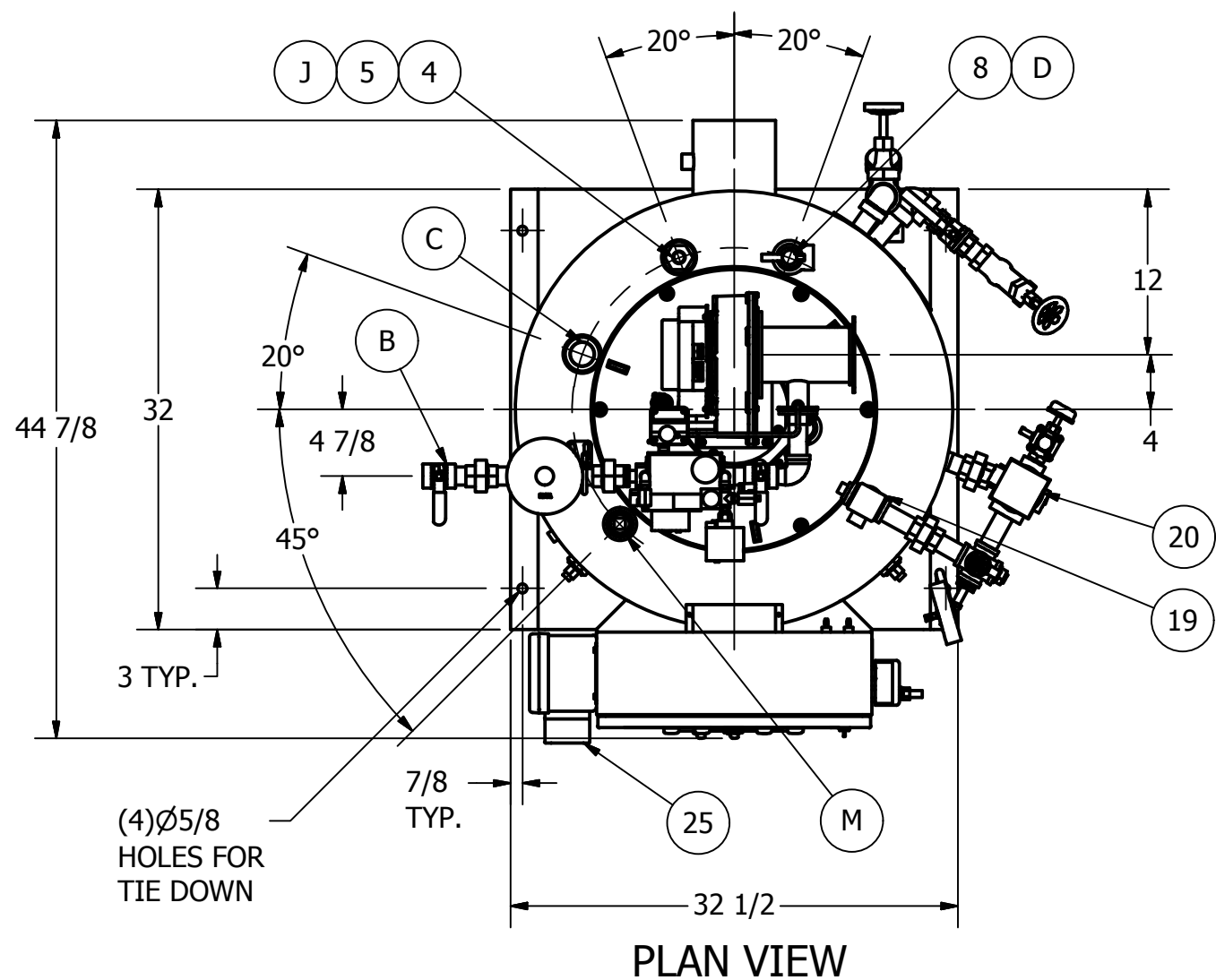
SHIPPING DATA	
BOILER SIZE:	45" L X 32 1/2" W X 84 3/4" H
BOILER WIEGHT:	2000 LBS

BOILER DATA	
FUEL:	NATURAL GAS
INPUT:	620 MBH
OUTPUT:	502 MBH
FIRESIDE HEATING SURFACE:	84 SQ.FT.
EXTENDED HEATING SURFACE:	71 SQ.FT.
BOILER HEATING SURFACE:	13 SQ.FT.
MINIMUM GAS PRESSURE REQUIRED:	7.3" W.C.
MAXIMUM GAS PRESSURE REQUIRED:	28" W.C.
VOLTAGE:	120/1/60

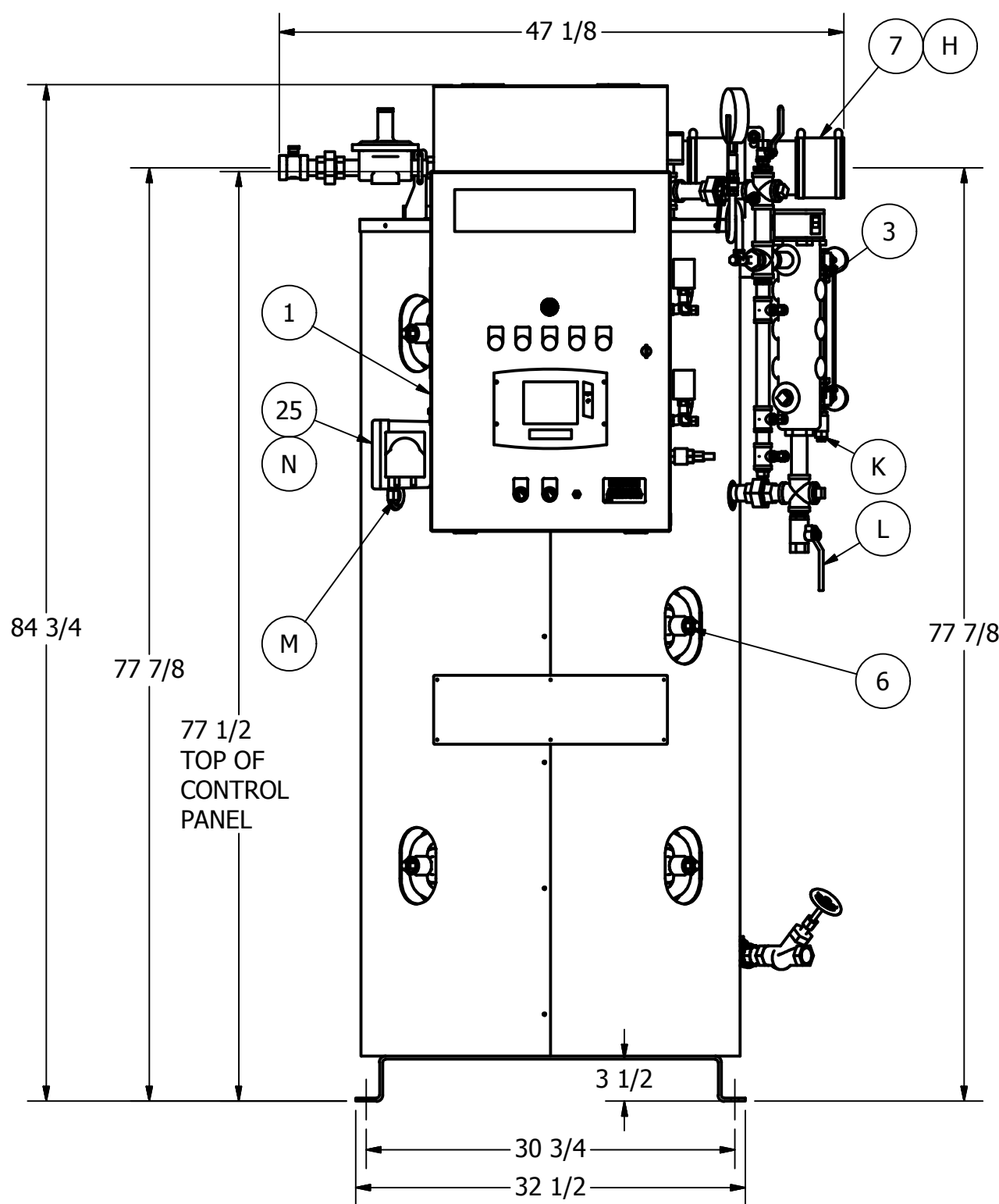
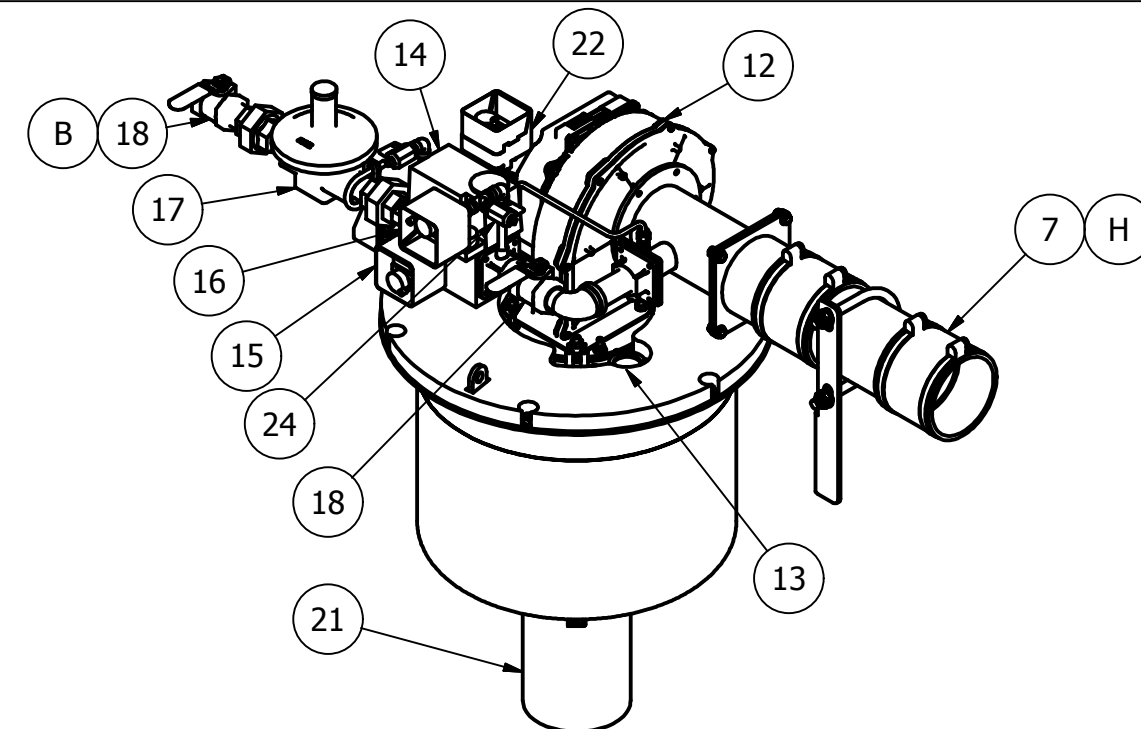
REV#	DATE	CP	REVISIONS
01	01/30/09	CP	ADDED DIMENSIONS & BASE DESIGN CHANGE UPDATE.
02	01/18/11	CP	ADDED ITEM 25 REVISED SHIPPING & AND BOILER DATA. UPDATED BOILER HEIGHT DIMENSIONS.

WARNING: Changes, modifications or alterations are strictly prohibited. Changes to this drawing and subsequent modification of equipment could result in damage to the equipment and/or serious personal injury.

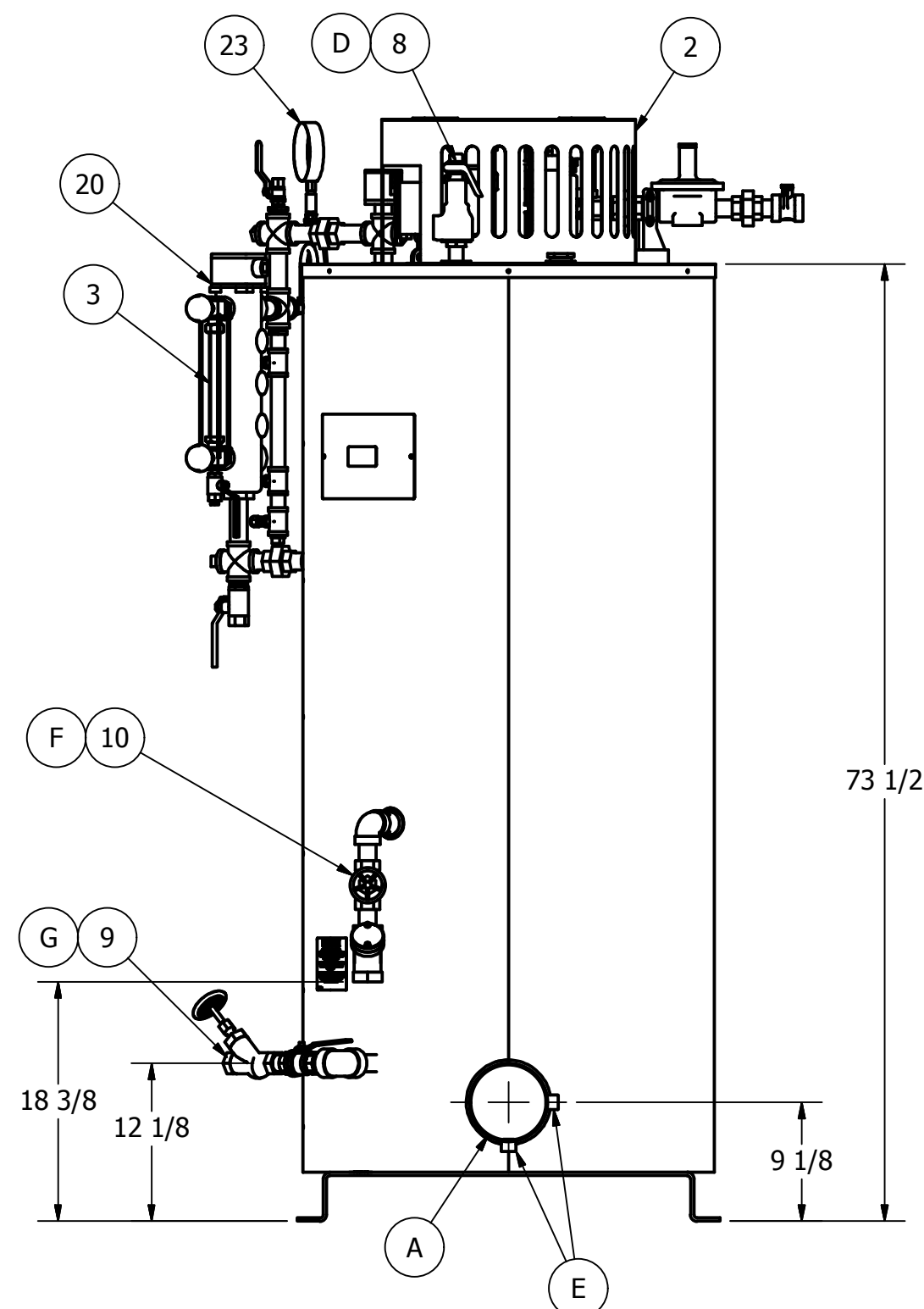
CAUTION
Dimensions shown are approximate and should not be used in restrictive layouts or to prefabricate assemblies unless Cleaver-Brooks has been consulted. It is strongly recommended that the customer request as-built certified drawings for these cases.



PLAN VIEW



FRONT VIEW



REAR VIEW

ALL MATERIAL SIZES ON BILL OF MATERIAL ARE FOR REFERENCE ONLY. DRAWING DIMENSIONS MUST BE FOLLOWED.	
TOLERANCE, UNLESS OTHERWISE SPECIFIED:	
FRACTIONAL ±	DECIMAL ±
HOLE LOCATIONS ±	ANGLES ±
DRILLED, PUNCHED OR SLOTTED HOLES ±	
SIZE	SHT 1 OF 1
C	

DRAWN BY:	CP
CHECKED BY:	DJD
DATE:	1/21/2009
SCALE:	N.T.S.

CleaverBrooks®	
DIMENSIONAL DIAGRAM 15HP CFV, 150# STEAM	
DRWG. NO.	15HP CFV DD
REV	03

THIS DRAWING IS PROPERTY OF CLEAVER-BROOKS DIVISION IT IS SUBJECT TO CHANGE WITHOUT NOTICE, AND IS NOT TO BE COPIED OR USED IN ANY WAY DETRIMENTAL TO THE COMPANY.