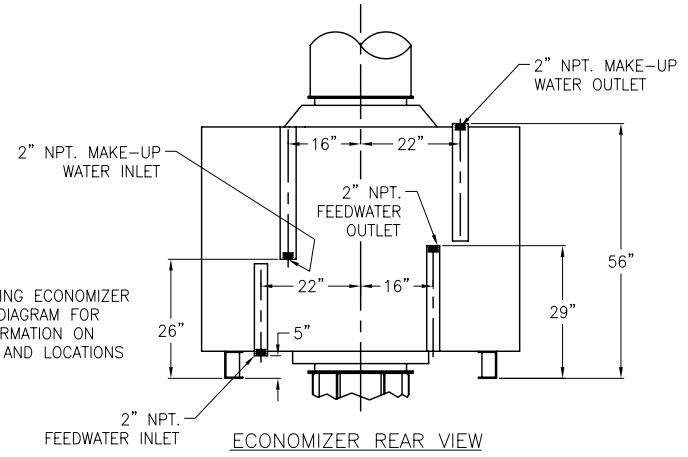
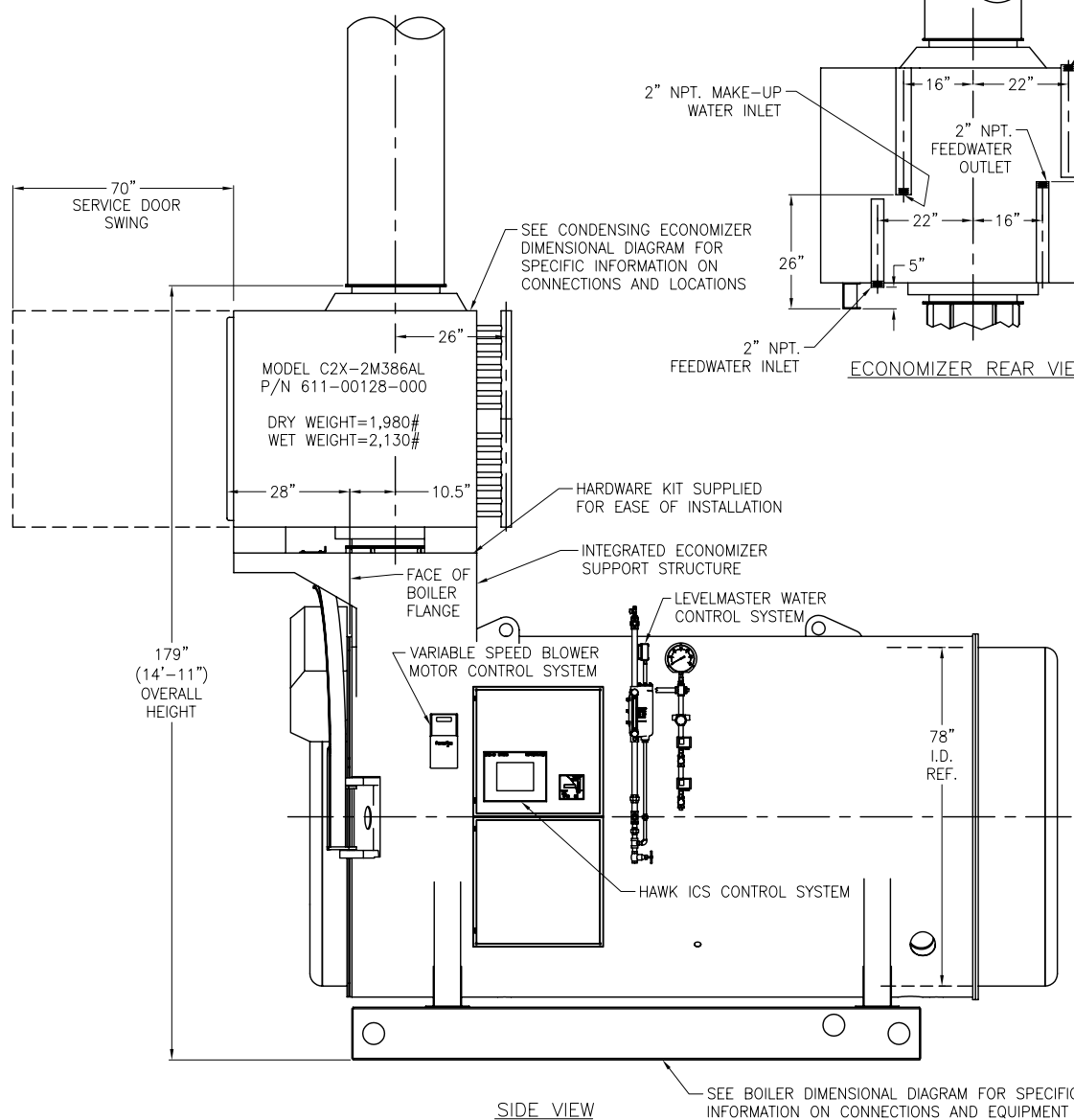
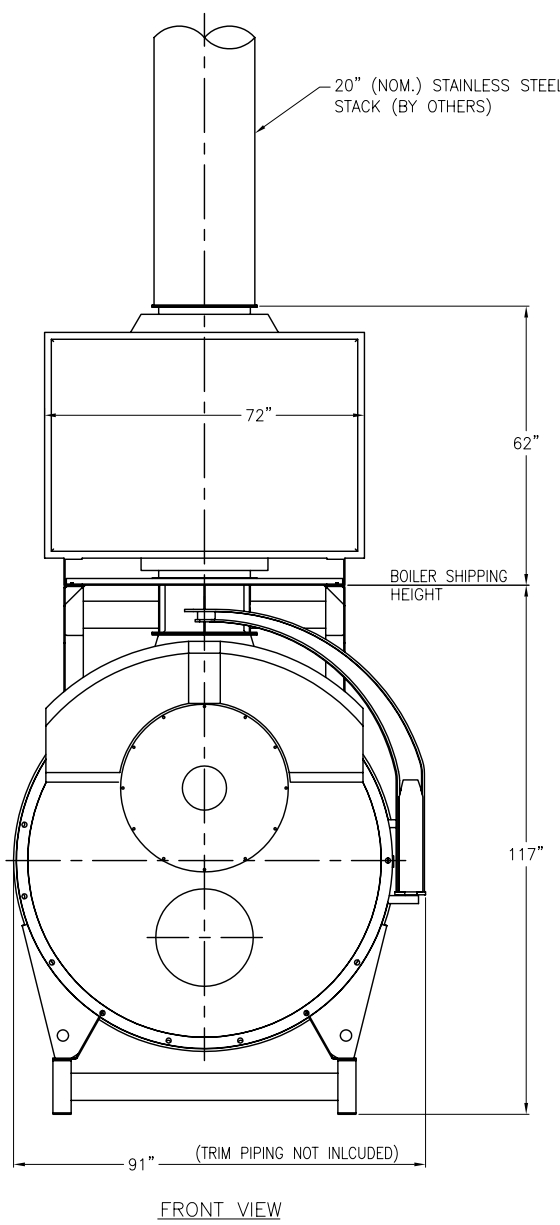


THIS DRAWING IS PROPERTY OF CLEAVER-BROOKS, INC. IT IS SUBJECT TO CHANGE WITHOUT NOTICE, AND IS NOT TO BE COPIED OR USED IN ANY WAY DETRIMENTAL TO THE COMPANY.

7 | 6 | 5 | 4 | 3 | 2 | 1

F
E
D
C
B
A



| | | | |
|-----------|--------------|----------|---------------------------------|
| REVISIONS | JOB: | SCALE | <p>The power of commitment.</p> |
| | CITY: | N.T.S. | |
| | | DATE | GENERAL ARRANGMENT, 250HP LE |
| | | 08/07/08 | BOILER & CONDENSING ECONOMIZER |
| | | DRAWN | DRWG. NO. 250-LE-GA |
| | | DJM | 00 |
| | | SIZE | |
| | | C | |
| | SHT 01 OF 01 | | |