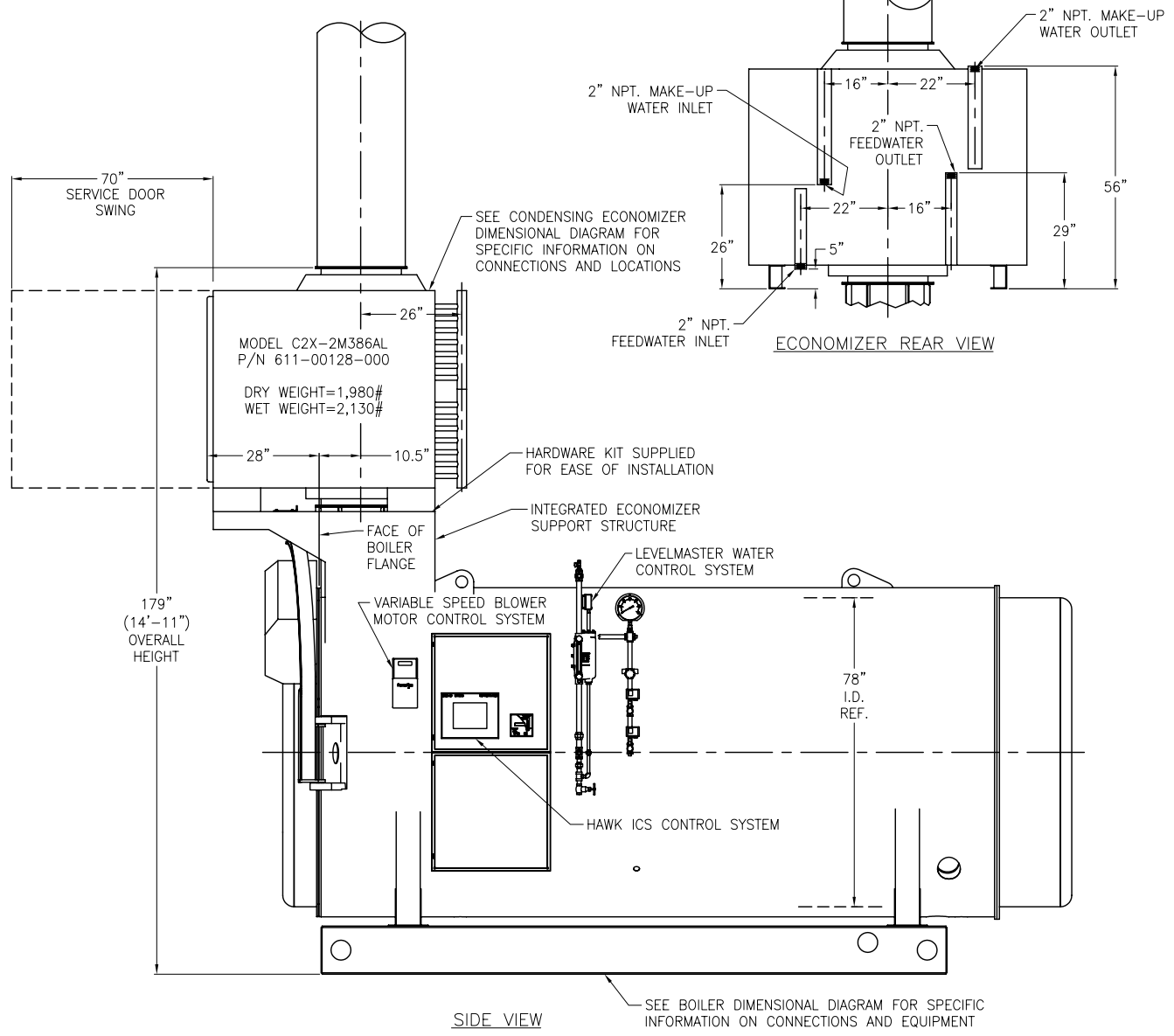
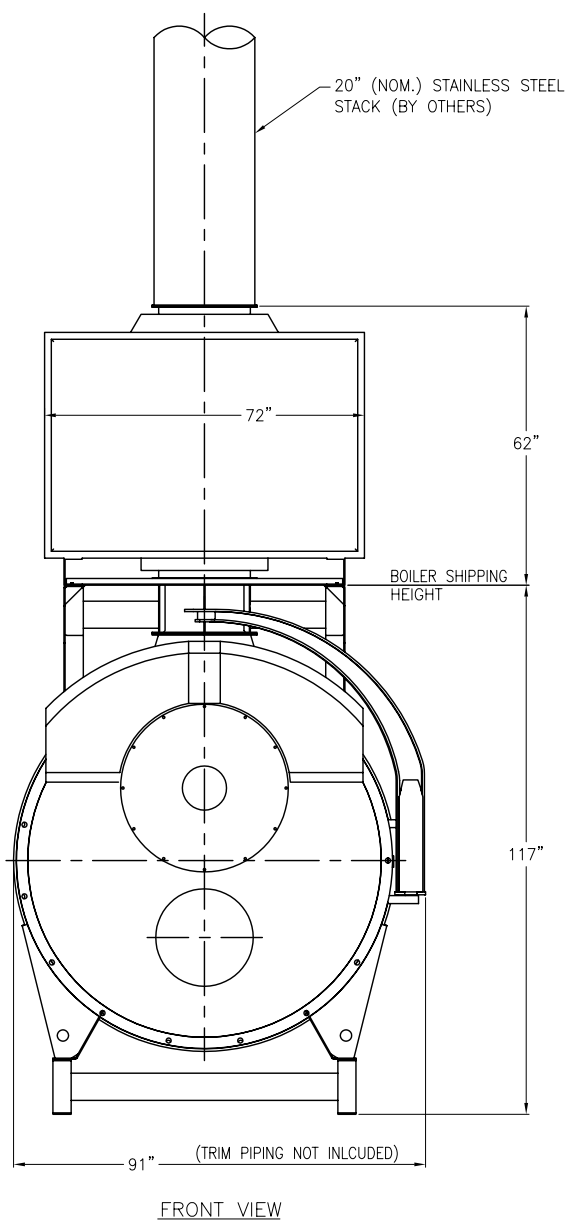


THIS DRAWING IS PROPERTY OF CLEAVER-BROOKS, INC. IT IS SUBJECT TO CHANGE WITHOUT NOTICE, AND IS NOT TO BE COPIED OR USED IN ANY WAY DETRIMENTAL TO THE COMPANY.

7 | 6 | 5 | 4 | 3 | 2 | 1



F  
E  
D  
C  
B  
A

REVISIONS	

JOB:  
CITY:

SHT 01 OF 01

SCALE  
N.T.S.  
DATE  
08/07/08  
DRAWN  
DJM  
SIZE  
C

**CLEAVER-BROOKS**  
*The power of commitment.*

GENERAL ARRANGMENT, 300HP LE  
BOILER & CONDENSING ECONOMIZER

DRWG. NO. 300-LE-GA 00