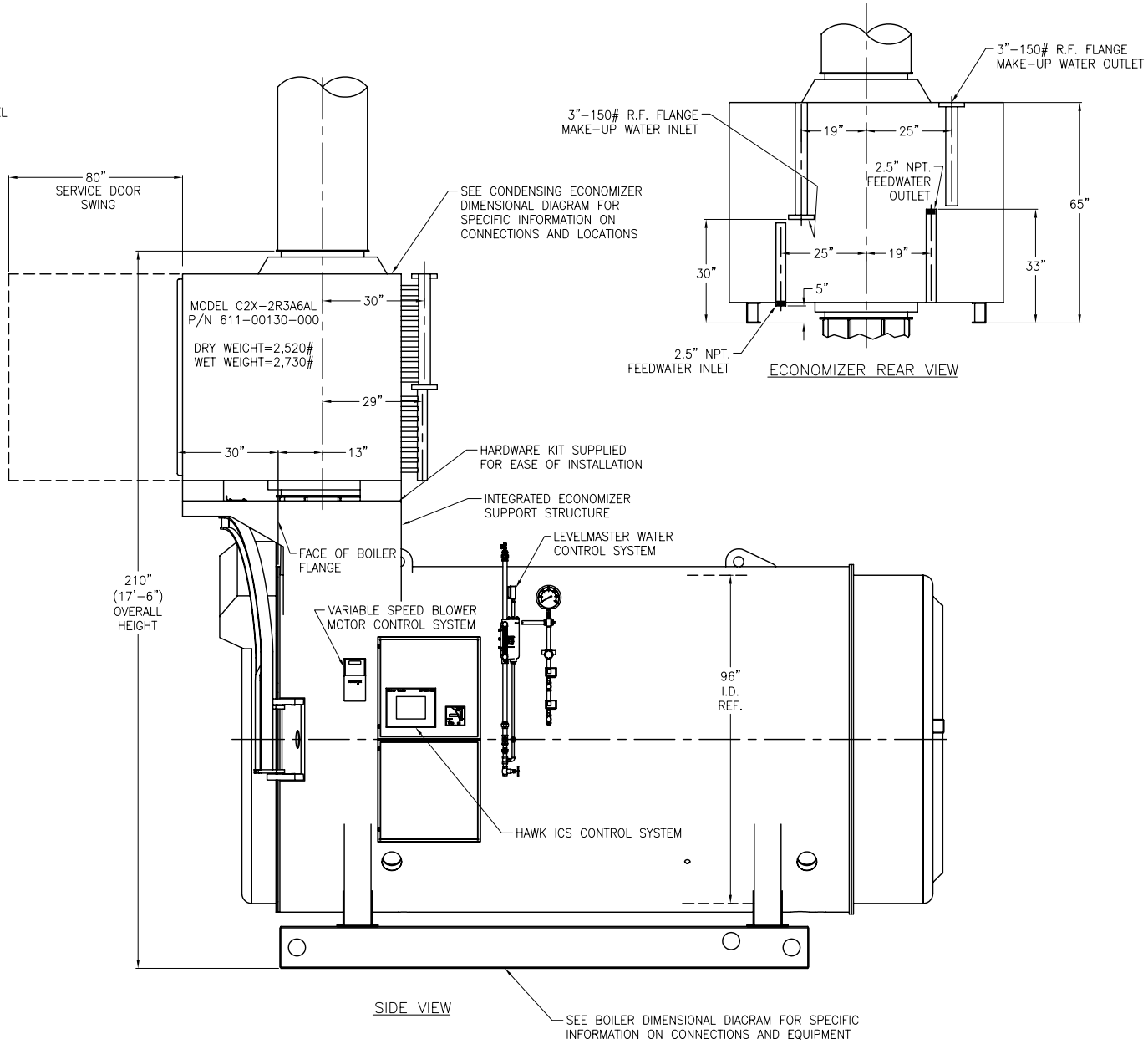
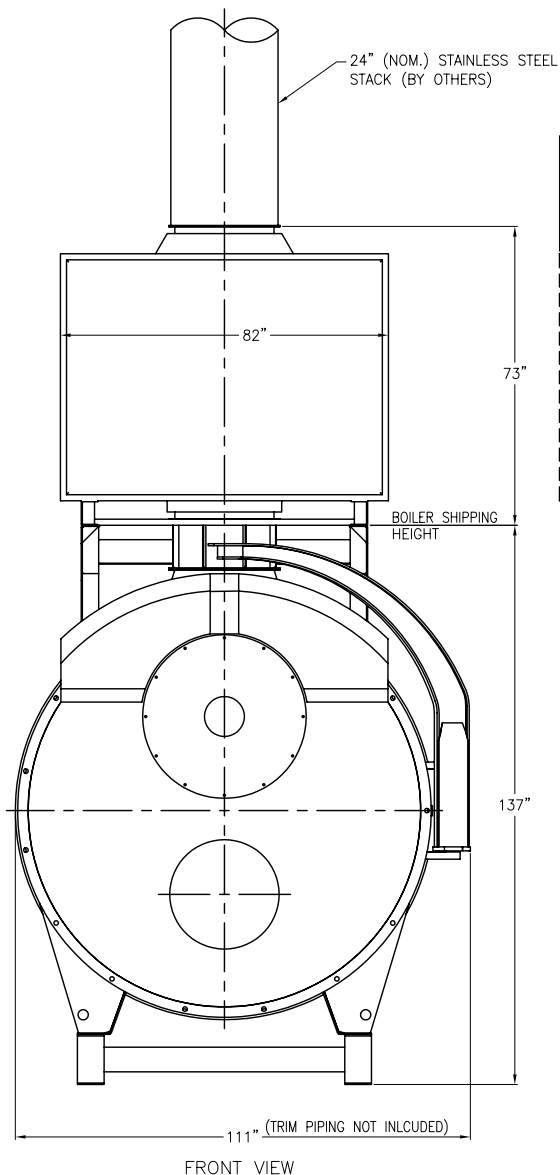


THIS DRAWING IS PROPERTY OF CLEAVER-BROOKS, INC. IT IS SUBJECT TO CHANGE WITHOUT NOTICE, AND IS NOT TO BE COPIED OR USED IN ANY WAY DETRIMENTAL TO THE COMPANY.

7 | 6 | 5 | 4 | 3 | 2 | 1



REVISIONS	

JOB: _____
CITY: _____

SHT 01 OF 01

SCALE N.T.S.	CLEAVER-BROOKS <i>The power of commitment.™</i>
DATE 08/06/08	
DRAWN DJM	GENERAL ARRANGMENT, 500HP LE BOILER & CONDENSING ECONOMIZER
SIZE C	DRWG. NO. 500-LE-GA 00

F
E
D
C
B
A