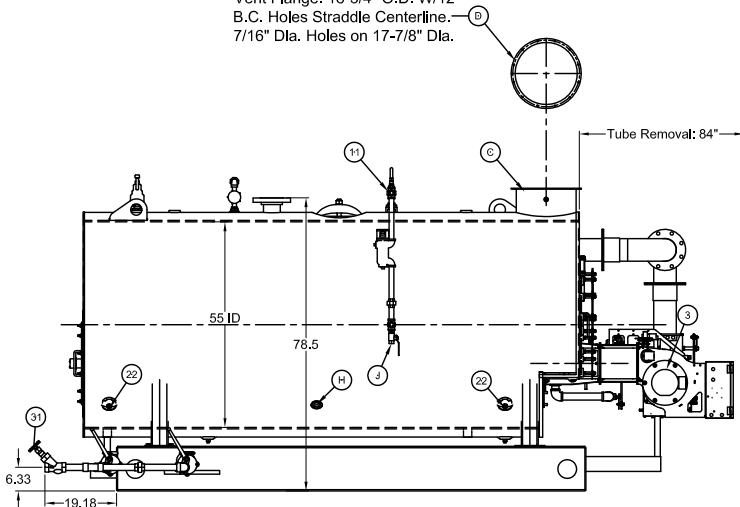


MAJOR COMPONENTS		SERVICE CONNECTIONS		NOTES
1	Control Panel	21	N/A	* Boiler Is Designed and Constructed In Accordance with the ASME Boiler and Pressure Vessel Code - Section 1 High Pressure Boiler * This Unit Complies with Insurance Underwriters Requirement for Factory Mutual & GE Global Asset Protection * The Boiler Package is painted with High Temperature Light Blue Enamel * The Burner Operation is Full Modulating * The Boiler Burner Package Has a UL Label * All Valves to be Mounted, Hydro Tested, & Listed on All Applicable Forms This Boiler Is Provided with: 1. Control Circuit Transformer 2. Welded End Caps on Baserails
2	Entrance Panel	22	Handholes (6) 3.25" x 4.25"	
3	Blower Motor - 3 HP	23	Front Slight Port	
4	N/A	24	Rear Slight Port	
5	Combustion Safeguard Control - CB-760E	25	Burner	
6	Flame Scanner - Infrared	26	Alarm	
7	Pressure Control - Operating Limit	27	Low Fire Hold Control	
8	Pressure Control - High Limit (Manual Reset)	28	N/A	
9	Pressure Control - Modulating	29	N/A	
10	Main Low Water Column - Levelmaster II	30	N/A	
11	Auxiliary Low Water Cutoff - Warrick 3C-2	31	Bottom Blowdown Piping	
12	Steam Gauge	32	Surface Blowdown Piping	
13	N/A	33	N/A	
14	Stack Thermometer	34	N/A	
15	Safety Valve (1) Set @ 150#	35	FGR Duct	
16	Gas Train	36	N/A	
17	Fuel Oil Piping Terminal	37	N/A	
18	Fuel Oil Pump Assembly	38	N/A	
19	Manway 12" x 16"	39	N/A	
20	Burner Junction Box	40	N/A	
		A	Electric - Main Power Supply - 460 / 3 / 60	
		B	N/A	
		C	Exhaust Vent Pipe - 16" OD	
		D	Vent Flange (See Detail)	
		E	Steam Outlet - 4" 300# R.F. Flange	
		F	N/A	
		G	N/A	
		H	Feedwater - (2) 1.25 NPT	
		I	Bottom Blowdown - (2) 1.25 NPT	
		J	Water Column Blowdown - 0.75 NPT	
		K	Gauge Glass Blowdown - 0.25 NPT	
		L	Surface Blowoff - 1.0 NPT (With Collector Pipe)	
		M	N/A	
		N	Main Gas - TBD	
		O	Minimum Inlet Gas Pressure Required is 20" W.C. Maximum Inlet Gas Pressure Required is TBD Rating - 4,184 (cfm) MBLU	
		P	Oil Inlet - 0.75 NPT (75 PSI Required at Inlet)	
		Q	Oil Outlet - 0.75 NPT	
		R	Chemical Feed - 1.0 NPT	
		S	Safety Valve - (1) Kunkle 6010GFE 1.25 x 1.5 FPPT (Outlet)	
		T	N/A	

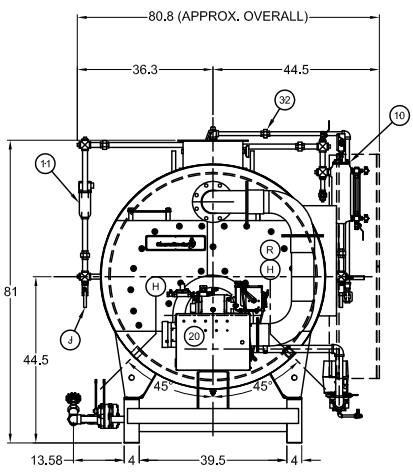
BOILER SPECIFICATIONS

Boiler Designation - CBEX-P 200 100
 Design Pressure - 150 ST
 Design Rating - 100 hp
 Emissions - 30 ppm
 Fuel(s) - No. 2 Oil & Natural Gas
 Steam Capacity - 3,430# steam @ 212 deg F
 Fireside Heating Surface - 388 Sq. Ft.
 Dry Weight - 9,710 LB
 Water Weight - 6,260 LB
 Gallons (Operating) - 751
 Code Compliance - FM, GE Gap, CSD-1, Former IRI

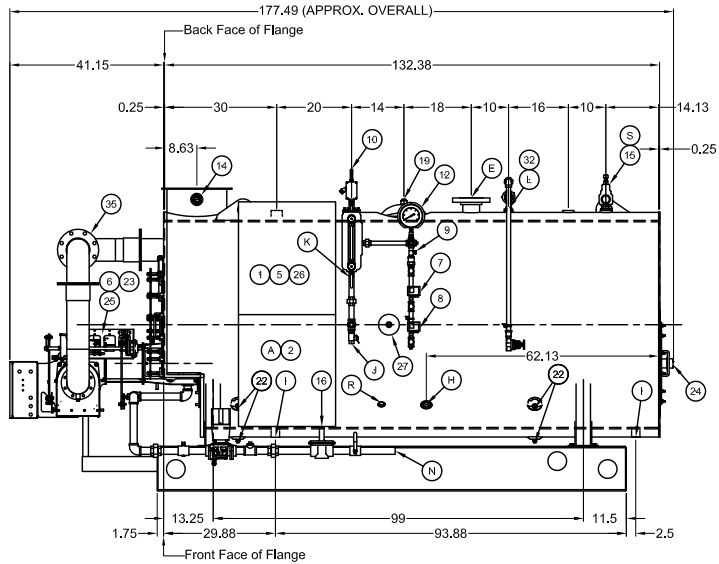
Vent Flange: 18-3/4" O.D. W/12 B.C. Holes Straddle Centerline. 7/16" Dia. Holes on 17-7/8" Dia.



LEFT HAND VIEW



FRONT VIEW



RIGHT HAND VIEW

THIS DRAWING IS PROPERTY OF CLEAVER-BROOKS DIVISION. IT IS SUBJECT TO CHANGE WITHOUT NOTICE, AND IS NOT TO BE COPIED OR USED IN ANY MANNER DETRIMENTAL TO THE COMPANY.

REVISIONS	CAUTION			WARNING			WARNING			NAME LOCATION		DATE N.T.S. DATE		CleaverBrooks	
	DIMENSIONS SHOWN ARE APPROXIMATE AND SHOULD NOT BE USED IN RESTRICTIVE LAYOUTS OR TO PREFABRICATE ASSEMBLIES UNLESS CLEAVER-BROOKS HAS BEEN CONSULTED. IT IS STRONGLY RECOMMENDED THAT THE CUSTOMER REQUEST AS-BUILT CERTIFIED DRAWINGS FOR THESE CASES.			LIFTING LUGS PROVIDED ON THE VESSEL SHALL ONLY BE USED TO LIFT THE VESSEL WHEN IT IS DRY.			CHANGES, MODIFICATIONS OR ALTERATIONS ARE STRICTLY PROHIBITED. CHANGES TO THIS DRAWING AND SUBSEQUENT MODIFICATION OF THE EQUIPMENT COULD RESULT IN DAMAGE TO THE EQUIPMENT AND/OR SERIOUS PERSONAL INJURY.			DIMENSIONAL DIAGRAM		CBEX-P 200 100 150ST 460 3 60 3		CAPACITY GAP	
										SIZE D		CHECKED BY DJM		DRWG. NO. 00	