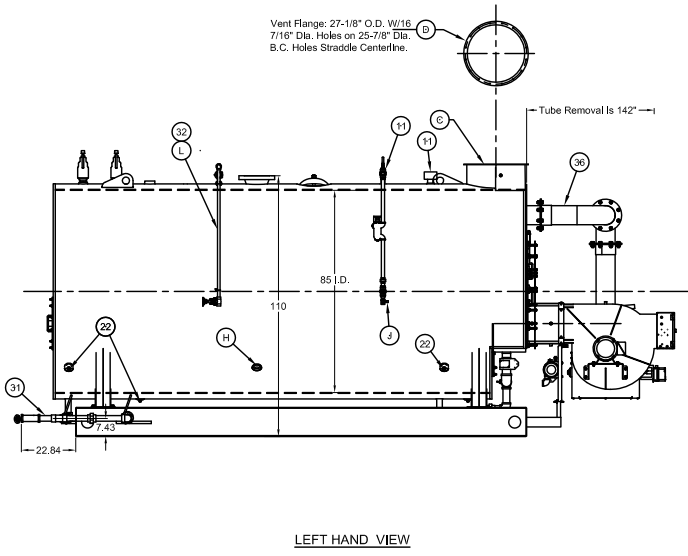
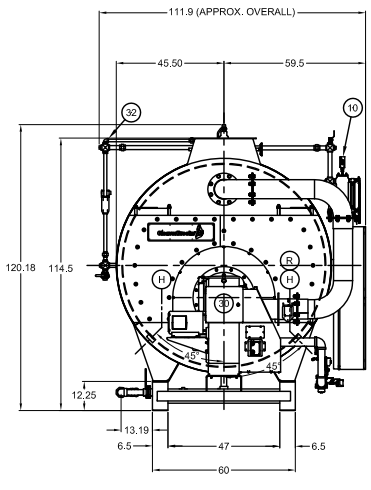


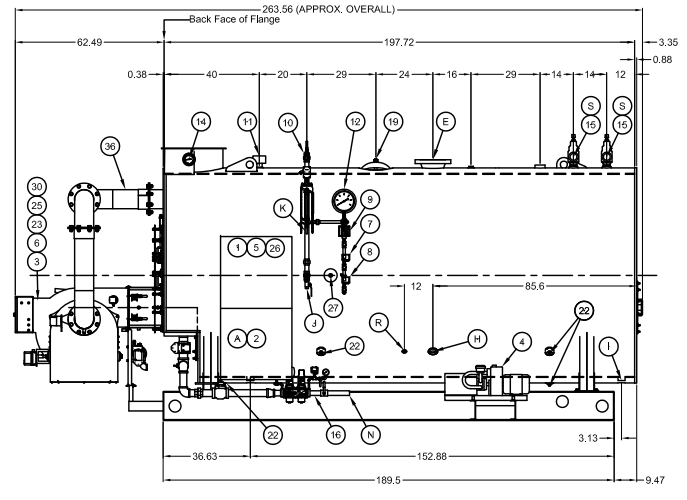
MAJOR COMPONENTS		SERVICE CONNECTIONS		NOTES
1	Control Panel	21	N/A	* Boiler is Designed and Constructed in Accordance with the ASME Boiler and Pressure Vessel Code - Section I High Pressure Boiler * This Unit Complies with Insurance Underwriters Requirement for Factory Mutual & GE Global Asset Protection * The Boiler Package is painted with High Temperature Light Blue Enamel * The Burner Operation is Full Modulating * The Boiler Burner Package Has A UL Label * All Valves to be Mounted, Hydro Tested, & Listed on All Applicable Forms
2	Entrance Panel	22	Handholes (6) 3.25" x 4.5"	
3	Blower Motor - 25 HP	23	Front Sight Port	
4	Air Compressor - 7.5 HP	24	Rear Sight Port	
5	Combustion Safeguard Control - CB-780E	25	Burner	
6	Flame Scanner - Infrared	26	Alarm	
7	Pressure Control - Operating Limit	27	Low Fire Hold Control	
8	Pressure Control - High Limit (Manual Reset)	28	N/A	
9	Pressure Control - Modulating	29	N/A	
10	Main Low Water Column - Levelmaster II	30	Burner Junction Box	
11	Auxiliary Low Water Cutoff - Warrick 3C-2	31	Bottom Blowdown Piping	
12	Steam Gauge	32	Surface Blowdown Piping	
13	N/A	33	N/A	
14	Stack Thermometer	34	N/A	
15	Safety Valve (2) Set @ 150#	35	N/A	
16	Gas Train	36	FGR Duct	
17	Fuel Oil Piping Terminal	37	N/A	
18	Fuel Oil Pump Assembly	38	N/A	
19	Manway 12" x 16"	39	N/A	
20	N/A	40	N/A	
		A	Electric - Main Power Supply - 460 / 3 / 60	
		B	N/A	
		C	Exhaust Vent Pipe - 24" OD	
		D	Vent Flange (See Detail)	
		E	Steam Outlet - 6" 300# R.F. Flange	
		F	N/A	
		G	N/A	
		H	Feedwater - (2) 2.5 NPT	
		I	Bottom Blowdown - (2) 2.0 NPT	
		J	Water Column Blowdown - 0.75 NPT	
		K	Gauge Glass Blowdown - 0.25 NPT	
		L	Surface Blowoff - 1.0 NPT (W/ Collector Pipe)	
		M	N/A	
		N	Main Gas - TBD	
		O	Minimum Inlet Gas Pressure Required: 72.5" W.C. Maximum Inlet Gas Pressure Required PSI: TBD Rating - 25.104 (cfr) MBtu	
		P	Oil Inlet - 0.75 NPT (75 PSI Required at Inlet) Rating - 179.3 gph	
		Q	Oil Outlet - 0.75 NPT	
		R	Chemical Feed - 1.0 NPT	
		S	Safety Valve - (2) Kunkle 6010JHE 2.0 x 2.5 FPT (Outlet)	
		T	N/A	
BOILER SPECIFICATIONS				
Boiler Designation - CBEX ELITE 200 600				
Design Pressure - 150 ST				
Design Rating - 600 hp				
Emissions - 30 ppm				
Fuel(s) - No. 2 Oil and Natural Gas				
Steam Capacity - 20,700# @ 212 deg F				
Firetube Heating Surface - 1,424 Sq. Ft.				
Dry Weight - 26,000 LB				
Water Weight - 17,110 LB				
Gallons (Operating) - 2,052				
Code Compliance - FM, GE Gap, NFPA-85, Former IRI				



LEFT HAND VIEW



FRONT VIEW



RIGHT HAND VIEW

THIS DRAWING IS PROPERTY OF CLEAVER-BROOKS DIVISION. IT IS SUBJECT TO CHANGE WITHOUT NOTICE, AND IS NOT TO BE COPIED OR USED IN ANY MANNER DETRIMENTAL TO THE COMPANY.

REVISIONS	
-----------	--

CAUTION
DIMENSIONS SHOWN ARE APPROXIMATE AND SHOULD NOT BE USED IN RESTRICTIVE LAYOUTS OR TO PREFABRICATE ASSEMBLIES UNLESS CLEAVER-BROOKS HAS BEEN CONSULTED. IT IS STRONGLY RECOMMENDED THAT THE CUSTOMER REQUEST AS-BUILT CERTIFIED DRAWINGS FOR THESE CASES.

WARNING
LIFTING LUGS PROVIDED ON THE VESSEL SHALL ONLY BE USED TO LIFT THE VESSEL WHEN IT IS DRY.

WARNING
CHANGES, MODIFICATIONS OR ALTERATIONS ARE STRICTLY PROHIBITED. CHANGES TO THIS DRAWING AND SUBSEQUENT MODIFICATION OF EQUIPMENT COULD RESULT IN DAMAGE TO THE EQUIPMENT AND/OR SERIOUS PERSONAL INJURY.

Name	Address
DIMENSIONAL DIAGRAM	
SIZE	SHT 01 OF 01

SCALE	N.T.S.	CleaverBrooks
DATE		
DRAWN	LES	CBEX(FRM) 200 600 150ST CAPACITY 460 3 60 3 FM&GAP 200# 3 60# 3 WEL
CHECKED BY	DJM	
DRWG. NO.		00