

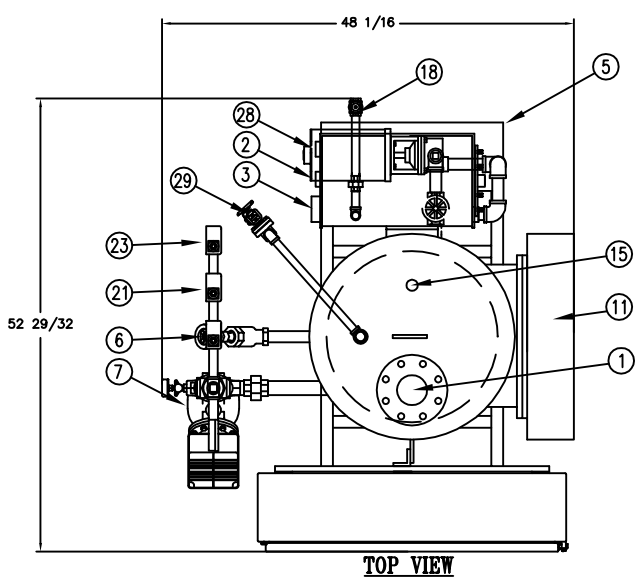
THIS DRAWING IS PROPERTY OF CLEAVER-BROOKS, INC. IT IS SUBJECT TO CHANGE WITHOUT NOTICE, AND IS NOT TO BE COPIED OR USED IN ANY WAY DETRIMENTAL TO THE COMPANY. SUGGESTIONS AND INFORMATION CONTAINED ON THIS DRAWING ARE NOT INTENDED TO SUPPLANT LOCAL CODES.

4

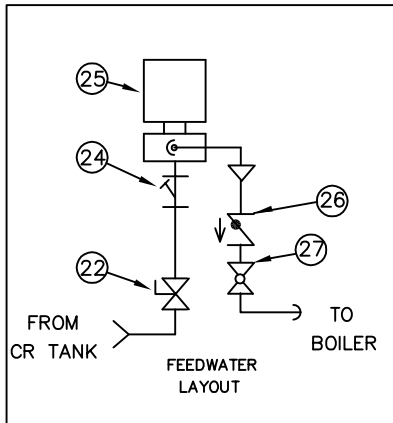
3

2

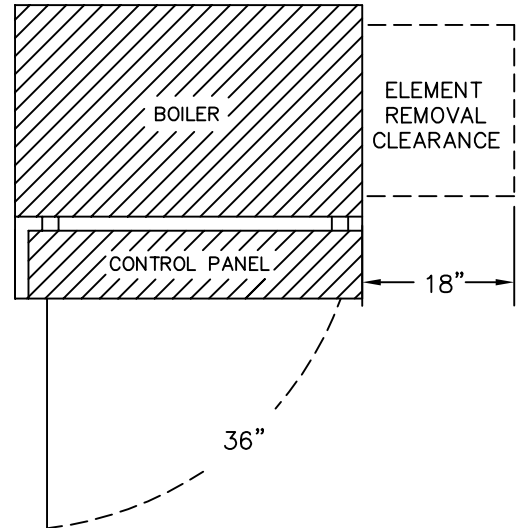
1



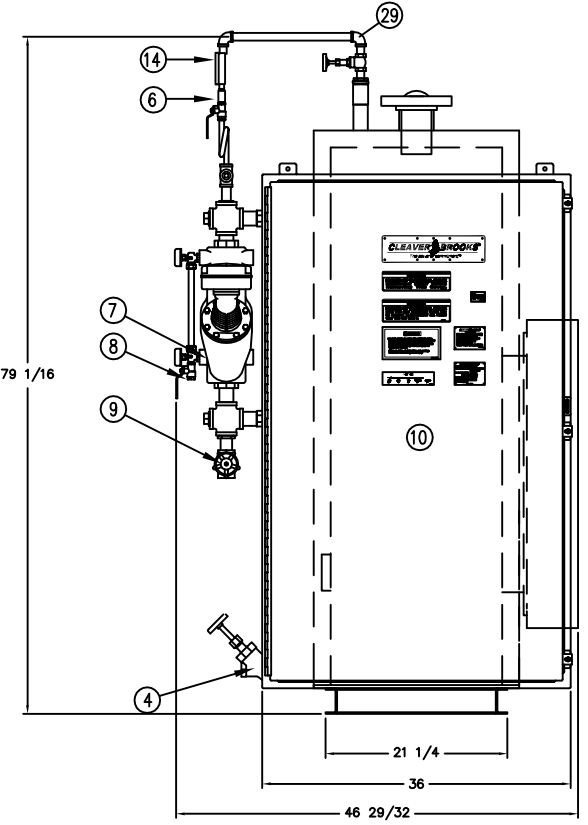
TOP VIEW



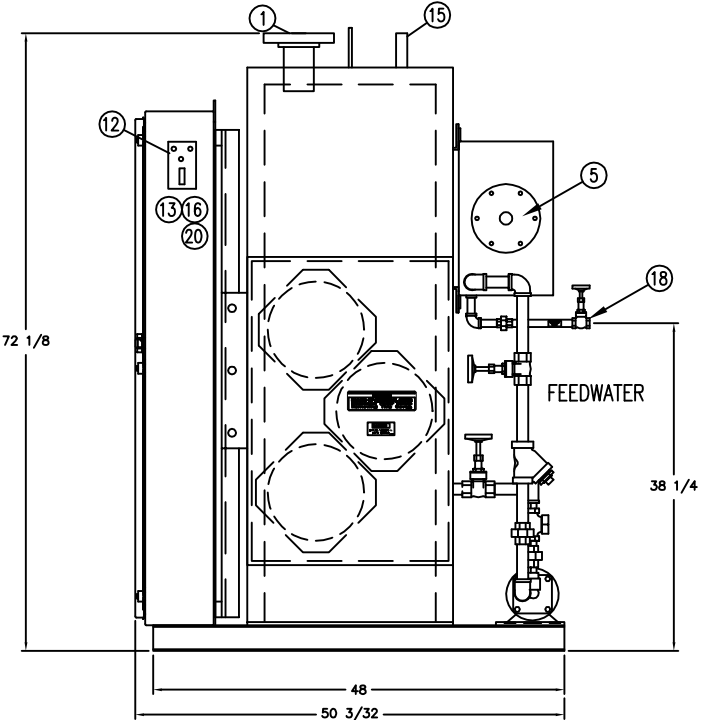
FEEDWATER LAYOUT



ELEMENT REMOVAL CLEARANCE



FRONT VIEW



SIDE VIEW

ITEM	DESCRIPTION/MATERIAL
1	STEAM OUTLET - 3.0 FLG
2	OVERFLOW - 1.25 NPS
3	RETURN - 1.25 NPS
4	BLOWDOWN VALVE - 1 NPS
5	FEEDWATER - 0.75 NPS
6	PRESSURE CONTROL - MODULATING
7	WATER COLUMN - McDM #42
8	GAUGE GLASS BLOWDOWN - 0.25 NPS
9	WATER COLUMN BLOWDOWN - 0.75 NPS
10	ELECTRICAL PANEL ENTRANCE/DOOR
11	ELEMENT ACCESS PANEL
12	POWER SWITCH WITH PILOT LIGHT(S) POWER/HIGH PRESS./LOW WATER
13	AUX. LWCO PROBE (NOT SHOWN)
14	PRESSURE GAUGE
15	SAFETY VALVE - (1) @ 15 PSI
16	PUMP SWITCH
17	N/A
18	DRAIN VALVE 0.5 NPS (CONDENSATE TANK)
19	N/A
20	ALARM BELL 4" WITH SILENCER
21	PRESSURE CONTROL - OPERATING LIMIT
22	VALVE, GLOBE, PUMP SUCTION, 1"
23	PRESSURE CONTROL - HIGH LIMIT
24	STRAINER, WYE, PUMP SUCTION, 1"
25	PUMP 1/2HP
26	VALVE, SPRING CHECK, FEEDWATER, 1"
27	VALVE, GLOBE, FEEDWATER, 1"
28	VENT - 1"
29	SURFACE BLOWOFF SYSTEM (STRAINER, STOP, & METERING VALVE)

NOTES:

- 1) Boiler to be constructed per ASME Boiler and Pressure Vessel Code, Section I, "S" stamped and National Board registered.
- 2) Boiler to comply with NEC and UL requirements.
- 3) Boiler to comply with CSD-1 requirements.
- 4) Vessel is to be wrapped with 2" insulation
- 5) All Valves to be mounted, hydro tested, & listed on all applicable forms

**CAUTION**  
 DIMENSIONS SHOWN ARE APPROXIMATE AND SHOULD NOT BE USED IN RESTRICTIVE LAYOUTS OR TO PREFABRICATE ASSEMBLIES UNLESS CLEAVER-BROOKS HAS BEEN CONSULTED. IT IS STRONGLY RECOMMENDED THAT THE CUSTOMER REQUEST AS-BUILT CERTIFIED DRAWINGS FOR THESE CASES.  
 BOILER MAY BE SHOWN WITH OPTIONAL EQUIPMENT IN LUEI OF STANDARD COMPONENTS.

REVISIONS

ELECTRICAL SPECIFICATIONS	
PRESSURE: DESIGN	15ST
KW	240 AT 480 / 3 / 60
ELEMENTS	AT 6.7 KW 67 WSI INCOLOY
RELIEF VALVE SET PRESSURE	15 PSI

SAMPLE

DIMENSIONAL DRAWING	SCALE	N.T.S.
	DATE	6/8/10
	DRAWN	
	SIZE	
SHT 01 OF 01		

**CleaverBrooks®**

CR TYPE	200 SIZE	240 KW	15ST PRESSURE	GALLONS
480 VOLTS	3 PHASE	60 HERTZ	3 WIRE	N/A INSURANCE

DRWG. NO. **SAMPLE** 00