

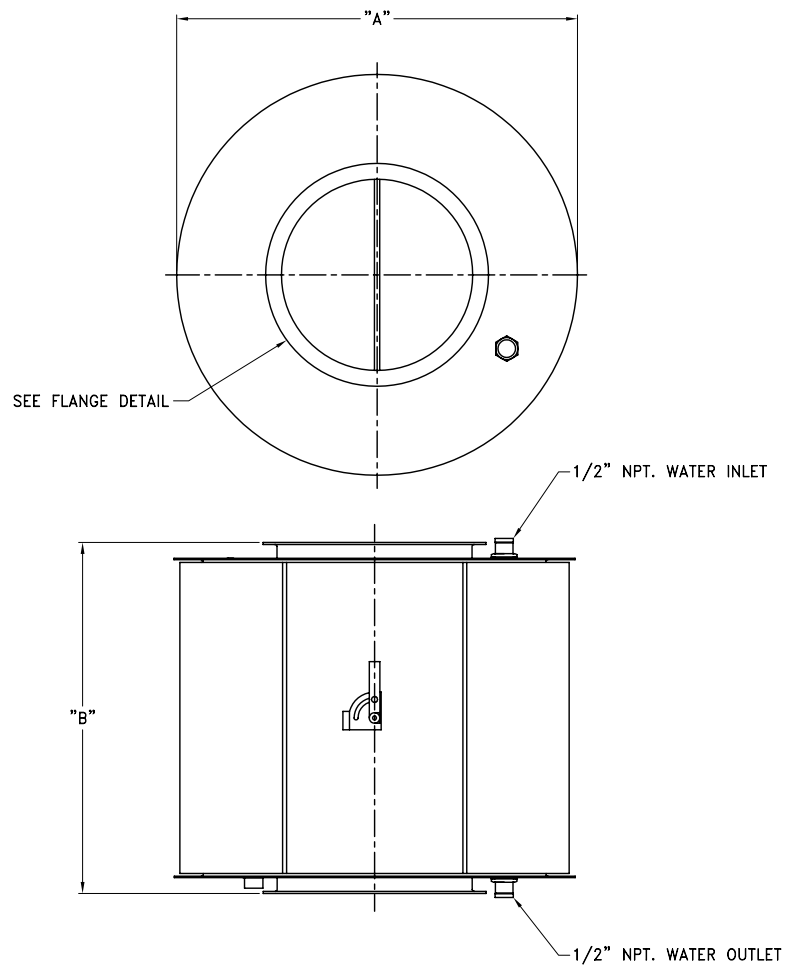
4

3

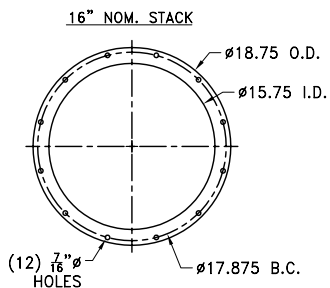
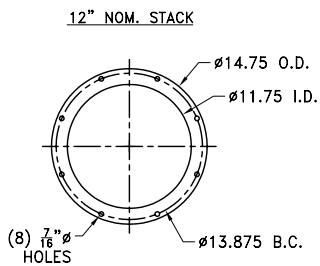
2

1

MODEL	"A" DIAMETER	"B" HEIGHT
CCE-066	14	14.5
CCE-068	14	18
CCE-06A	14	21.5
CCE-06B	14	25
CCE-086	18	14.5
CCE-088	18	18
CCE-08A	18	21.5
CCE-08B	18	25
CCE-08C	18	28.5



FLANGE DETAIL



REVISIONS

CCE_06-08.PDF
SHT 01 OF 01

SCALE
N.T.S.

DATE

DRAWN

SIZE

B

CLEAVER BROOKS
The power of commitment.™

ECONOMIZER
MODEL CCE-06 & CCE-08

DRWG. NO.

00

D

C

B

A