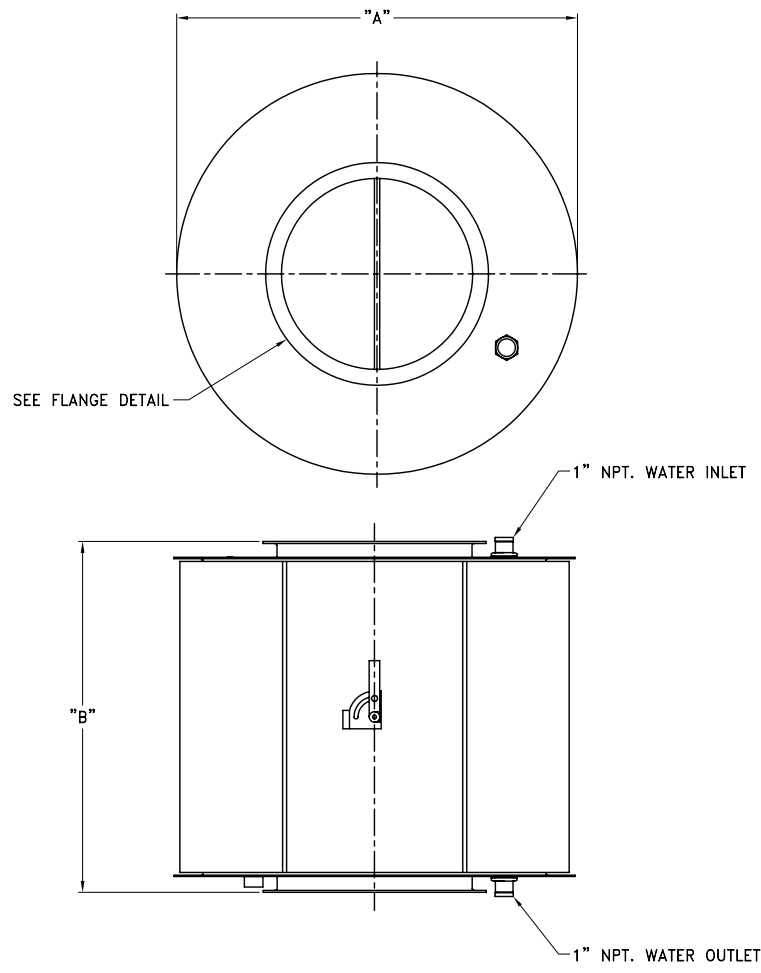
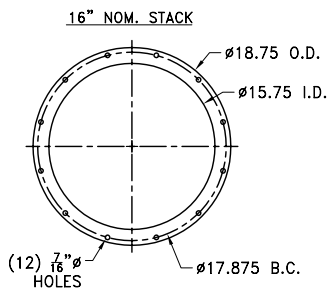
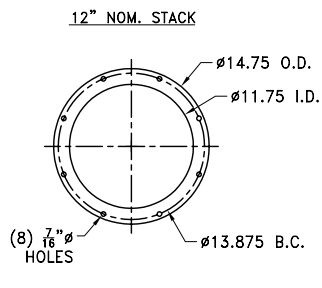


4 | 3 | 2 | 1

MODEL	"A" DIAMETER	"B" HEIGHT
CCE-106	20	16
CCE-108	20	20
CCE-10A	20	24
CCE-10B	20	28
CCE-10C	20	32
CCE-146	30	17
CCE-148	30	21
CCE-14A	30	25
CCE-14B	30	29
CCE-14C	30	33
CCE-14D	30	37
CCE-14E	30	41
CCE-14F	30	45



FLANGE DETAIL



REVISIONS

CCE\_10-14.PDF  
SHT 01 OF 01

SCALE  
N.T.S.  
DATE  
DRAWN  
SIZE  
B

**CLEAVER BROOKS**  
*The power of commitment.™*

ECONOMIZER  
MODEL CCE-10 & CCE-14

DRWG. NO. 00

D  
C  
B  
A

THIS DRAWING IS PROPERTY OF CLEAVER-BROOKS, INC. IT IS SUBJECT TO CHANGE WITHOUT NOTICE, AND IS NOT TO BE COPIED OR USED IN ANY WAY DETRIMENTAL TO THE COMPANY. SUGGESTIONS AND INFORMATION CONTAINED ON THIS DRAWING ARE NOT INTENDED TO SUPPLANT LOCAL CODES.