

4

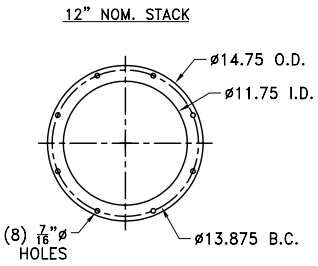
3

2

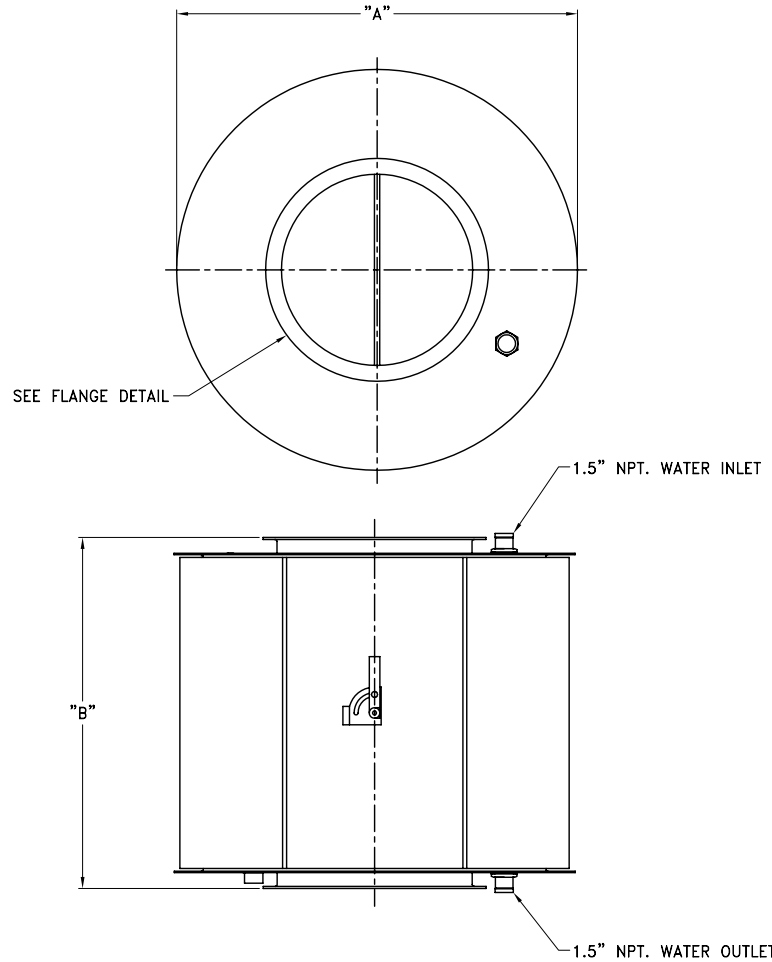
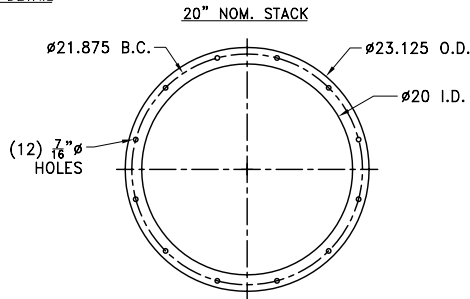
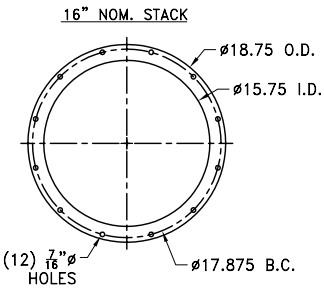
1

THIS DRAWING IS PROPERTY OF CLEAVER-BROOKS, INC. IT IS SUBJECT TO CHANGE WITHOUT NOTICE, AND IS NOT TO BE COPIED OR USED IN ANY WAY DETRIMENTAL TO THE COMPANY. SUGGESTIONS AND INFORMATION CONTAINED ON THIS DRAWING ARE NOT INTENDED TO SUPPLANT LOCAL CODES.

MODEL	"A" DIAMETER	"B" HEIGHT
CCE-H26	38	21
CCE-H28	38	25
CCE-H2A	38	29
CCE-H2B	38	33
CCE-H2C	38	37
CCE-H2D	38	41
CCE-H2E	38	45
CCE-J26	44	21
CCE-J28	44	25
CCE-J2A	44	29
CCE-J2B	44	33
CCE-J2C	44	37
CCE-J2D	44	41
CCE-J2E	44	45
CCE-J2F	44	49
CCE-J2G	44	53
CCE-J2H	44	57



FLANGE DETAIL



REVISIONS

--	--

CCE_H2-J2.PDF	
SHT 01 OF 01	

SCALE	N.T.S.
DATE	
DRAWN	
SIZE	B

CLEAVER-BROOKS
The power of commitment.™

ECONOMIZER
MODEL CCE-H2 & CCE-J2

DRWG. NO. 00

A
B
C
D