

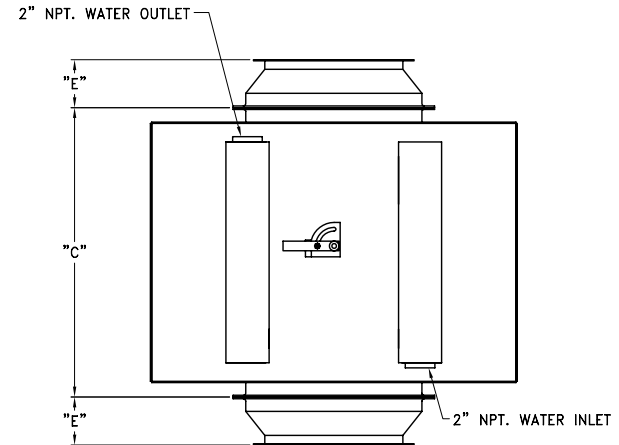
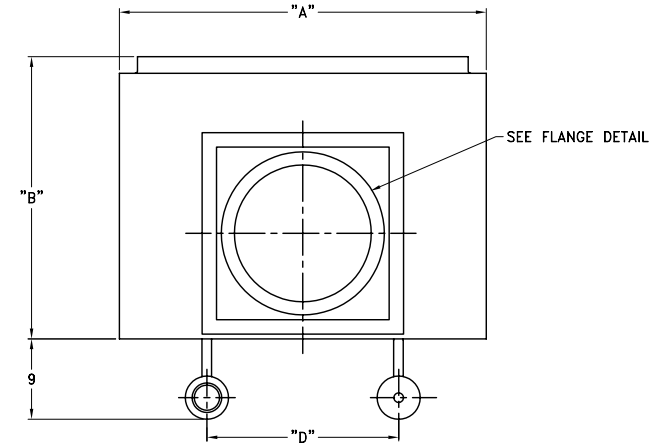
4

3

2

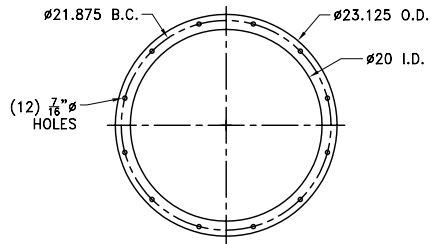
1

MODEL	"A"	"B"	"C"	"D"	"E" (20" VENT)	"E" (24" VENT)
CRE-36D	60	50	40.5	38	13	11
CRE-36E	60	50	45.7	38	13	11
CRE-36F	60	50	50.0	38	13	11
CRE-36G	60	50	54.2	38	13	11
CRE-36H	60	50	58.3	38	13	11
CRE-36I	60	50	62.7	38	13	11
CRE-36J	60	50	66.8	38	13	11
CRE-36K	60	50	70.9	38	13	11
CRE-42D	70	58	41.5	44	N/A	14
CRE-42E	70	58	45.7	44	N/A	14
CRE-42F	70	58	50.0	44	N/A	14
CRE-42G	70	58	54.3	44	N/A	14
CRE-42H	70	58	58.3	44	N/A	14
CRE-42I	70	58	62.7	44	N/A	14
CRE-42J	70	58	66.9	44	N/A	14
CRE-42K	70	58	70.9	44	N/A	14

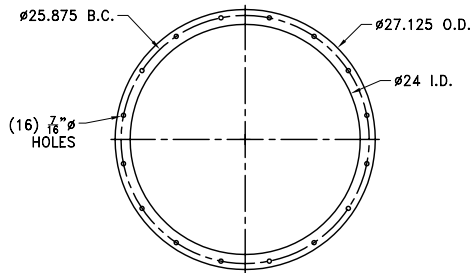


FLANGE DETAIL

20" NOM. STACK



24" NOM. STACK



REVISIONS

CRE\_36-42\_TR.PDF

SHT 01 OF 01

SCALE  
N.T.S.

DATE

DRAWN

SIZE

B

**CLEVER BROOKS**  
*The power of commitment.™*ECONOMIZER  
MODEL CRE-36 & CRE-42

DRWG. NO.

00

D

C

B

A