

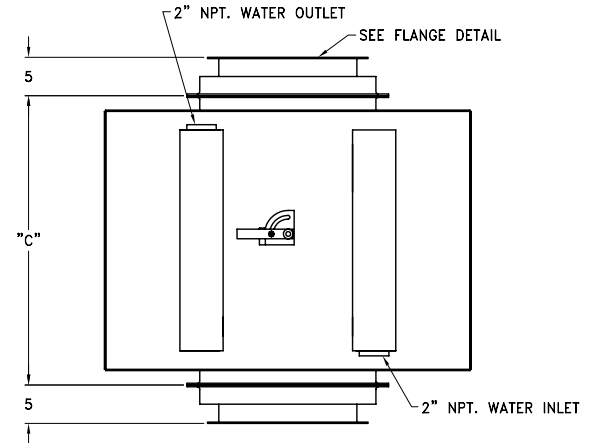
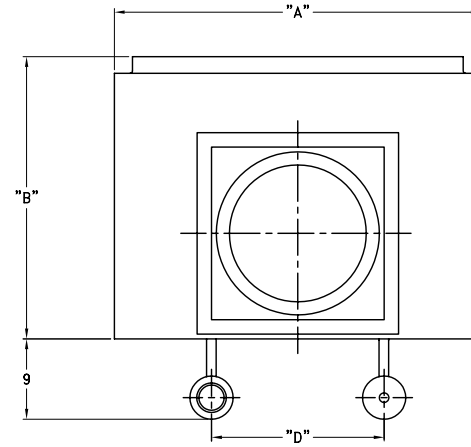
4

3

2

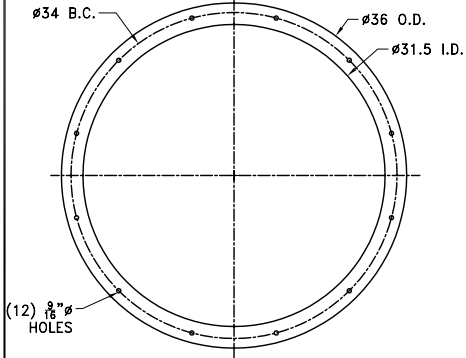
1

MODEL	"A"	"B"	"C"	"D"
CRE-36D	60	50	40.5	38
CRE-36E	60	50	45.7	38
CRE-36F	60	50	50.0	38
CRE-36G	60	50	54.2	38
CRE-36H	60	50	58.3	38
CRE-36I	60	50	62.7	38
CRE-36J	60	50	66.8	38
CRE-36K	60	50	70.9	38
CRE-42D	70	58	41.5	44
CRE-42E	70	58	45.7	44
CRE-42F	70	58	50.0	44
CRE-42G	70	58	54.3	44
CRE-42H	70	58	58.3	44
CRE-42I	70	58	62.7	44
CRE-42J	70	58	66.9	44
CRE-42K	70	58	70.9	44



FLANGE DETAIL

32" NOM. STACK



D
C
B
A

THIS DRAWING IS PROPERTY OF CLEAVER-BROOKS, INC. IT IS SUBJECT TO CHANGE WITHOUT NOTICE, AND IS NOT TO BE COPIED OR USED IN ANY WAY DETRIMENTAL TO THE COMPANY. SUGGESTIONS AND INFORMATION CONTAINED ON THIS DRAWING ARE NOT INTENDED TO SUPPLANT LOCAL CODES.

REVISIONS	

SCALE N.T.S.
DATE
DRAWN
SIZE B
CRE_36-42_NO-TR.PDF
SHT 01 OF 01

SCALE N.T.S.
DATE
DRAWN
SIZE B

CLEAVER-BROOKS
The power of commitment.™

ECONOMIZER
MODEL CRE-36 & CRE-42

DRWG. NO. 00