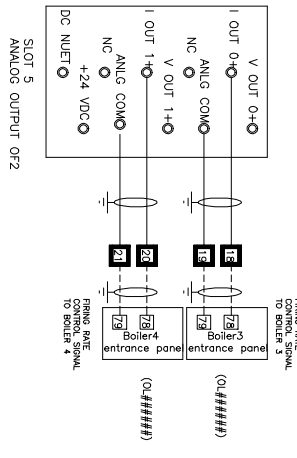
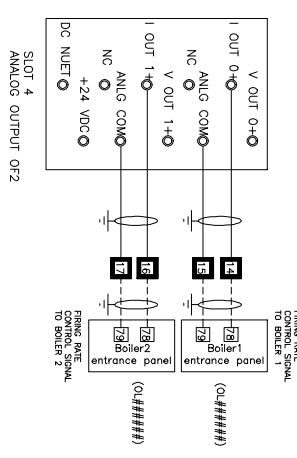
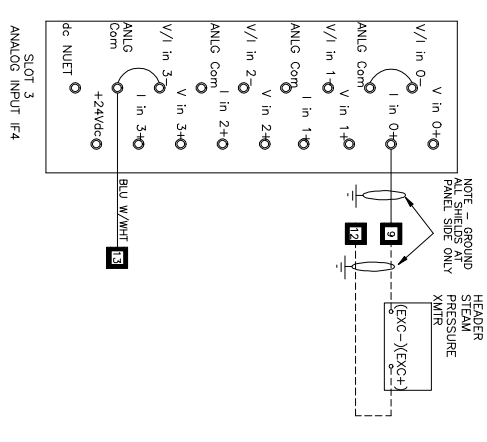
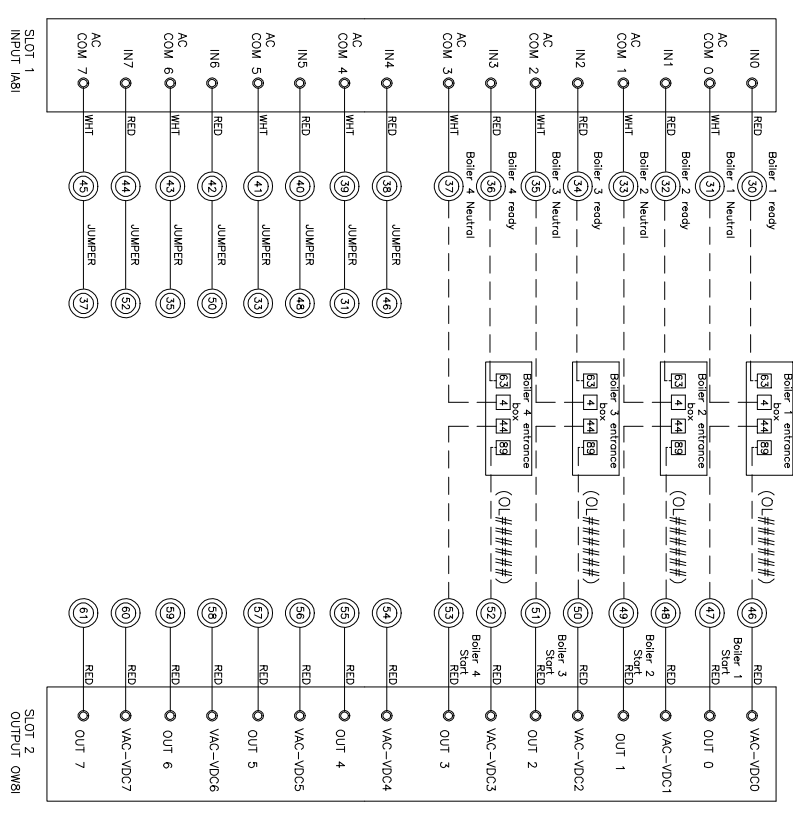
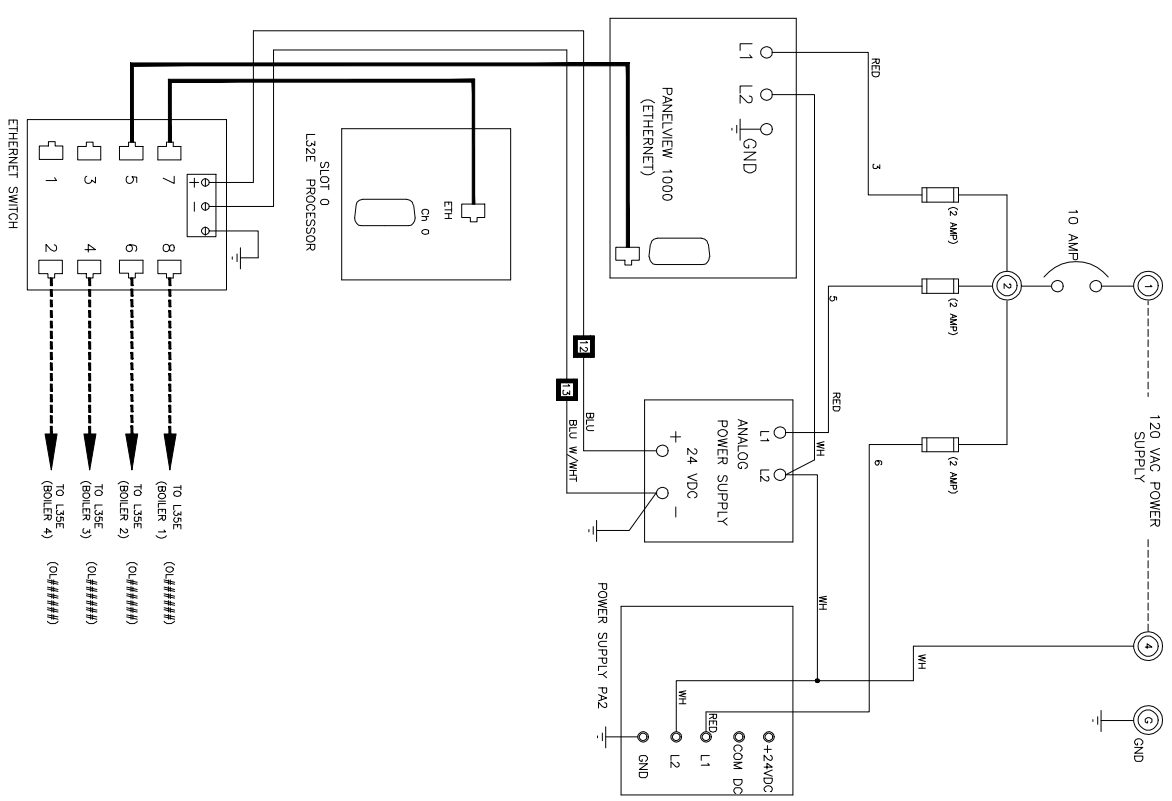


COMPACT LOGIX MODULES LAYOUT

SLOT 0 1769-L32E PROCESSOR	SLOT 1 1769-OWB1 DIGITAL INPUT	SLOT 2 1769-OWB1 DIGITAL OUTPUT	SLOT 3 1769-IF4 ANALOG INPUT	SLOT 4 1769-OF2 ANALOG OUTPUT	SLOT 5 1769-OF2 ANALOG OUTPUT
					3
					5



**SCHEMATIC SYMBOLS**

- DENOTES MASTER PANEL TERMINAL (AO)
- DENOTES MASTER PANEL TERMINAL (OS)
- ( ) DENOTES TERMINAL RESISTANCE ON DEVICE
- ⊃ DENOTES SHIELDED CABLE
- \* CLEAVER-BROOKS DIVISION DOES NOT FURNISH WIRING SHOWN BY BROKEN LINES IS NOT FURNISHED BY CLEAVER-BROOKS DIVISION. MASTER PANEL MUST BE LOCATED WITHIN A 100 METERS OF SOLAR.

- AC MASTER PANEL TERMINALS  
GR 1,2,4,30,31,32,33,34,35,36,37,38,39,40,41,46,47,48,49,50,51,52,53,54,55,56,57,58,59,60,61, JUMPER TERMINALS - 38-46,40-48,42-50,44-52, 39-31,41-33,43-35,45-37,
- DC MASTER PANEL TERMINALS  
9,12,13,14,15,16,17,18,19,20,21,

REVISIONS

CERTIFIED FOR CONSTRUCTION  
CLEAVER-BROOKS, INC.  
BY: #####  
DATE: #####

**WARNING:** Changes, modifications or alterations are strictly prohibited. Changes to this drawing and subsequent modification of equipment could result in damage to the equipment and/or serious personal injury.

MASTER ICS MP THOMASVILLE, GA T18# WIRING DIAGRAM /-#/-# SHT 01 OF 01

SCALE: N.T.S. 00/20/10  
CHECKER: JDB  
DRWG. NO: T18#-1-1-MP00

**CleaverBrooks**  
MASTER PANEL 2