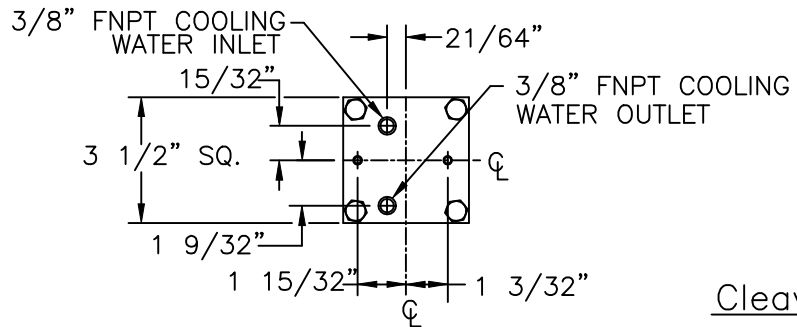
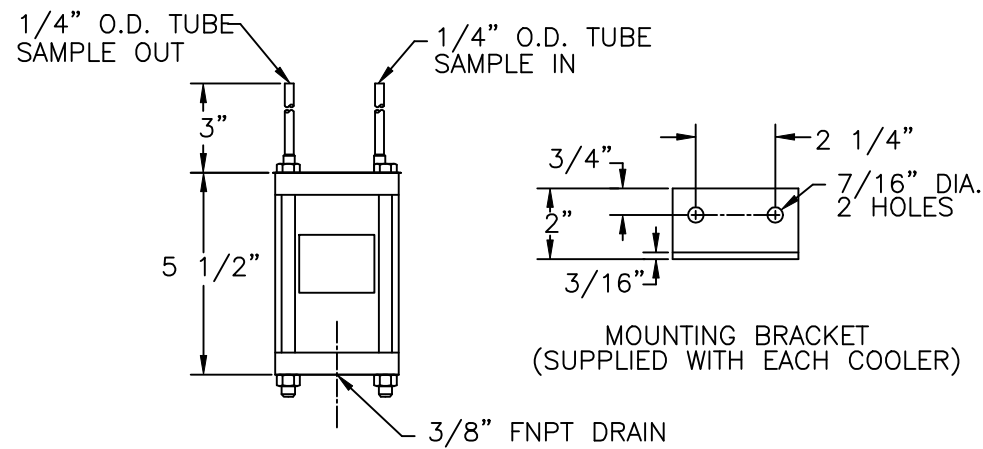


4 | | 3 | | 2 | | 1



Cleaver Brooks Model SC-22 Sample Cooler



MOUNTING BRACKET
(SUPPLIED WITH EACH COOLER)


3/8" FNPT DRAIN

THIS DRAWING IS PROPERTY OF CLEAVER-BROOKS DIVISION
IT IS SUBJECT TO CHANGE WITHOUT NOTICE, AND IS NOT TO BE COPIED OR USED, IN ANY WAY DETRIMENTAL TO THE COMPANY.
SUGGESTIONS AND INFORMATION CONTAINED ON THIS DRAWING ARE NOT INTENDED TO SUPPLANT LOCAL CODES.

REVISIONS

PROJECT: _____	01
SCDD-1	SHT 01 OF 01

SCALE N.T.S.
DATE
DRAWN
SIZE B

 Cleaver Brooks <small>DIV., AQUA-CHEM INC. MILWAUKEE, WISCONSIN</small>	
SAMPLE COOLER MODEL NO. SC-22	
DRWG. NO.	00

D
C
B
A