

7

6

5

4

3

2

1

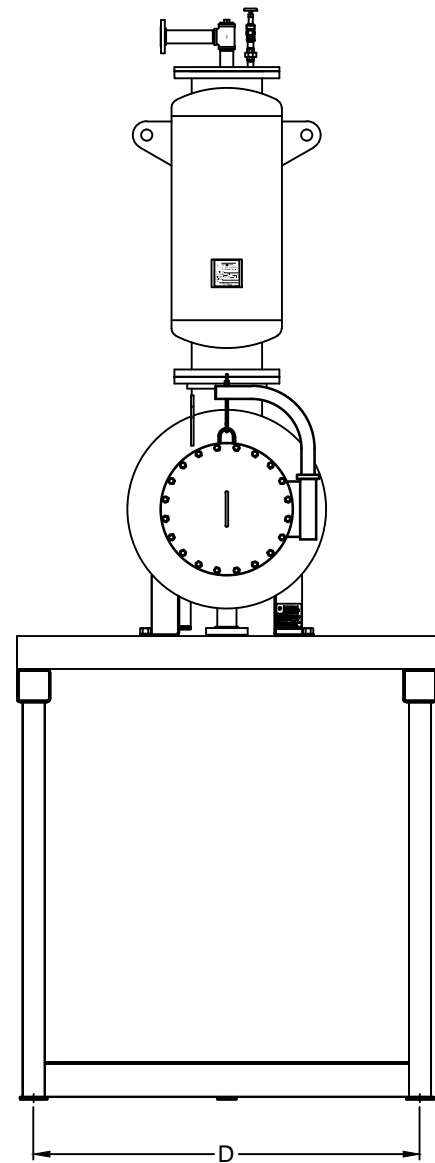
TANK AND STAND ENVELOPES

PRODUCT ▶		BOILERMATE DEAERATORS					
MODEL ▶		BM-150	BM-350	BM-450	BM-600	BM-900	BM-1100
MANWAY		20	20	20	20	20	20
SPRAYHEAD RANGE / COLUMN RANGE		8 ▶20	8 ▶36	8 ▶36	8 ▶36	8 ▶42	8 ▶42
MAXIMUM NUMBER OF PUMPS		4			6		
A	SEAM-TO-SEAM	59	59	59	95	95	95
B	TANK DIAMETER	24	36	42	48	54	60
C	TANK HEIGHT	36	47	53	59	65	71
D	END ANCHORS	1-2 PUMPS: 51-1/2	1-2 PUMPS: 51-1/2	1-2 PUMPS: 51-1/2	78	78	78
		3-4 PUMPS: 59-1/2	3-4 PUMPS: 59-1/2	3-4 PUMPS: 59-1/2			
E	FRONT ANCHORS	1-2 PUMPS: 59-1/2	1-2 PUMPS: 59-1/2	1-2 PUMPS: 59-1/2	≤4 PUMPS: 101-1/2	≤4 PUMPS: 101-1/2	≤4 PUMPS: 101-1/2
		3-4 PUMPS: 76-1/2	3-4 PUMPS: 76-1/2	3-4 PUMPS: 76-1/2	5-6 PUMPS: 148-1/2	5-6 PUMPS: 148-1/2	5-6 PUMPS: 148-1/2
F	MINIMUM STAND HEIGHT	DEPENDENT ON SUCTION PIPING SIZE: 6ft MINIMUM STAND HEIGHT FOR ≤2-1/2" SUCTION PIPING 7ft MINIMUM STAND HEIGHT FOR ≤4" SUCTION PIPING 8ft MINIMUM STAND HEIGHT FOR ≤6" SUCTION PIPING					

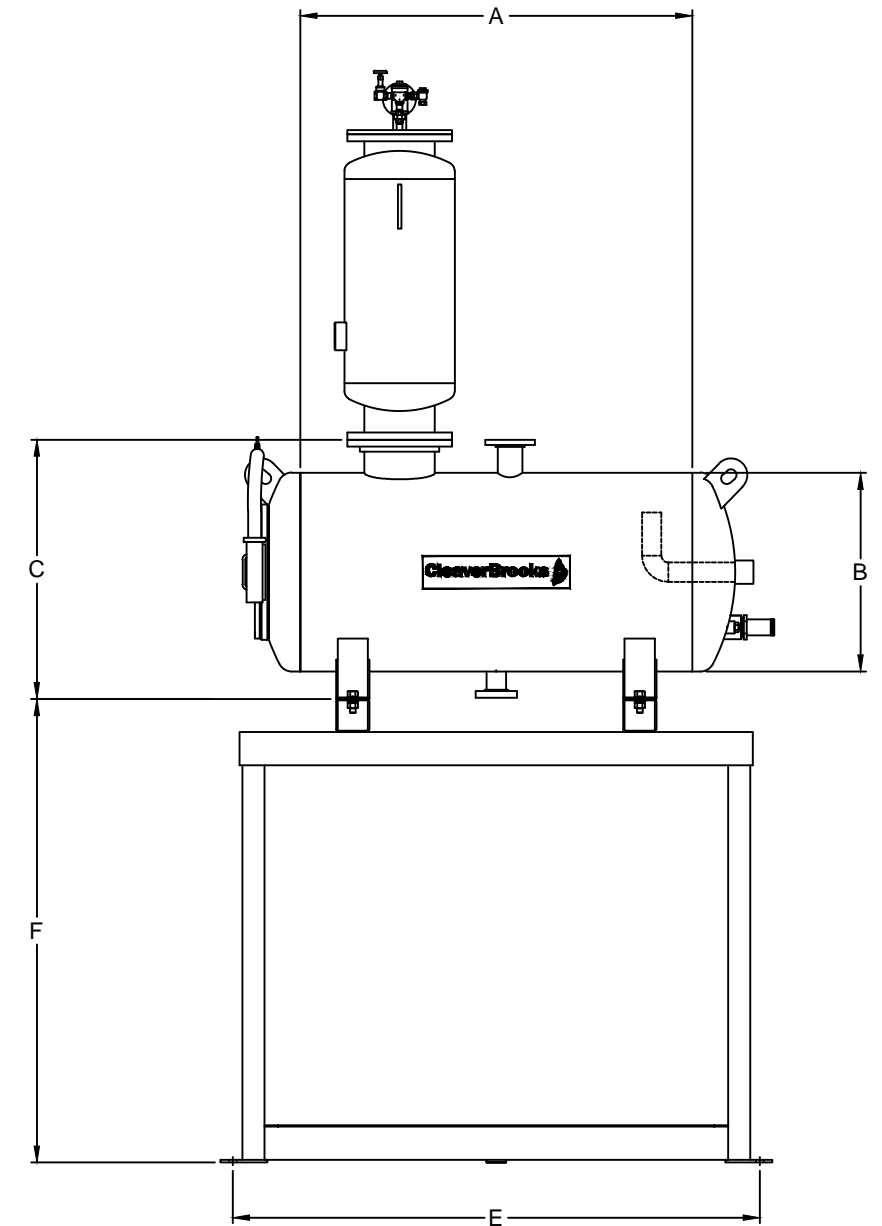
NOTE:

1. ALL TANK CONNECTIONS 2-1/2" AND LARGER WILL BE FLANGED

1. ALL PIPING 2-1/2" AND LARGER WILL BE SOCKET WELDED AND FLANGED



LEFT END ELEVATION



FRONT ELEVATION

THIS DRAWING IS PROPERTY OF CLEAVER-BROOKS DIVISION
IT IS SUBJECT TO CHANGE WITHOUT NOTICE, AND IS NOT TO BE COPIED OR USED IN ANY WAY DETRIMENTAL TO THE COMPANY.

REVISIONS

00	13/01/2015	PGM	INITIAL RELEASE
			EN 41876-GG
01	06/11/2015	PGM	CREATED NEW SHEETS
			ADDED BFS
			EN 42268A

CAUTION

DIMENSIONS SHOWN ARE APPROXIMATE AND SHOULD NOT BE USED IN RESTRICTIVE LAYOUTS OR TO PREFABRICATE ASSEMBLIES UNLESS CLEAVER-BROOKS HAS BEEN CONSULTED. IT IS STRONGLY RECOMMENDED THAT THE CUSTOMER REQUEST AS-BUILT CERTIFIED DRAWINGS FOR THESE CASES.

WARNING

LIFTING LUGS PROVIDED ON THE VESSEL SHALL ONLY BE USED TO LIFT THE VESSEL WHEN IT IS DRY.

WARNING

CHANGES, MODIFICATIONS OR ALTERATIONS ARE STRICTLY PROHIBITED.

CHANGES TO THIS DRAWING AND SUBSEQUENT MODIFICATION OF EQUIPMENT COULD RESULT IN DAMAGE TO THE EQUIPMENT AND/OR SERIOUS PERSONAL INJURY.

146-02144-000

APPLICABILITY:
SPRAYMASTER - BOILERMATE
SURGE TANK
BOILER FEED SYSTEMS

SCALE

N.T.S.

DATE

12/01/2014

DRAWN

PGM

CleaverBrooksSTANDARD FEEDWATER
DIMENSION ENVELOPES

DRWG. NO. 146-02144-000

00