

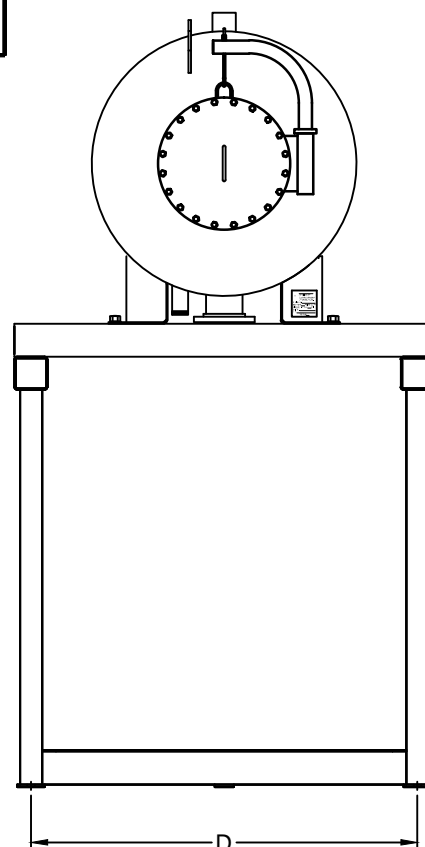
TANK AND STAND ENVELOPES

PRODUCT ▶		SURGE TANKS										
MODEL ▶		SRG-300	SRG-450	SRG-500	SRG-600	SRG-800	SRG-900	SRG-1200	SRG-1400	SRG-1800	SRG-2200	SRG-2500
MANWAY		20	20	20	20	20	20	20	20	20	20	20
SPRAYHEAD RANGE / COLUMN RANGE		-	-	-	-	-	-	-	-	-	-	-
MAXIMUM NUMBER OF PUMPS		4					6					
A	SEAM-TO-SEAM	59	59	59	71	71	95	95	95	95	95	95
B	TANK DIAMETER	36	42	48	48	54	54	60	66	72	78	84
C	TANK HEIGHT	45	51	57	57	64	64	68	74	81	89	95
D	END ANCHORS	1-2 PUMPS: 51-1/2 3-4 PUMPS: 59-1/2	1-2 PUMPS: 51-1/2 3-4 PUMPS: 59-1/2	1-2 PUMPS: 51-1/2 3-4 PUMPS: 59-1/2	78	78	78	78	78	92	92	92
E	FRONT ANCHORS	1-2 PUMPS: 59-1/2 3-4 PUMPS: 76-1/2	1-2 PUMPS: 59-1/2 3-4 PUMPS: 76-1/2	1-2 PUMPS: 59-1/2 3-4 PUMPS: 76-1/2	115-1/2	115-1/2	≤4 PUMPS: 101-1/2 5-6 PUMPS: 148-1/2	≤4 PUMPS: 101-1/2 5-6 PUMPS: 148-1/2	≤4 PUMPS: 101-1/2 5-6 PUMPS: 148-1/2	≤4 PUMPS: 131-3/4 5-6 PUMPS: 181-3/4	≤4 PUMPS: 131-3/4 5-6 PUMPS: 181-3/4	≤4 PUMPS: 131-3/4 5-6 PUMPS: 181-3/4
F	MINIMUM STAND HEIGHT	DEPENDENT ON SUCTION PIPING SIZE: 6ft MINIMUM STAND HEIGHT FOR ≤2-1/2" SUCTION PIPING 7ft MINIMUM STAND HEIGHT FOR ≤4" SUCTION PIPING 8ft MINIMUM STAND HEIGHT FOR ≤6" SUCTION PIPING										

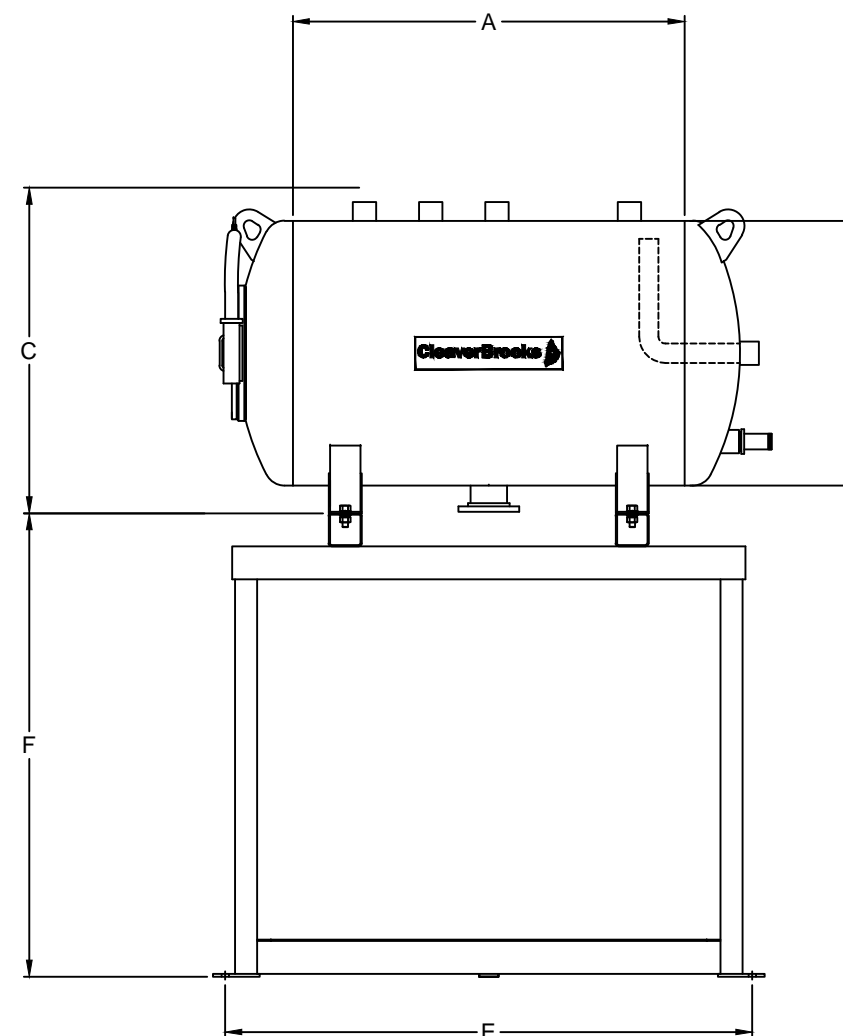
NOTE:

1. ALL TANK CONNECTIONS 2-1/2" AND LARGER WILL BE FLANGED

1. ALL PIPING 2-1/2" AND LARGER WILL BE SOCKET WELDED AND FLANGED



LEFT END ELEVATION



FRONT ELEVATION

THIS DRAWING IS PROPERTY OF CLEAVER-BROOKS DIVISION. IT IS SUBJECT TO CHANGE WITHOUT NOTICE, AND IS NOT TO BE COPIED OR USED IN ANY WAY DETRIMENTAL TO THE COMPANY.

REVISIONS 00 13/01/2015 PGM INITIAL RELEASE EN 41876-GG 01 06/11/2015 PGM CREATED NEW SHEETS ADDED BFS EN 42268A	CAUTION DIMENSIONS SHOWN ARE APPROXIMATE AND SHOULD NOT BE USED IN RESTRICTIVE LAYOUTS OR TO PREFABRICATE ASSEMBLIES UNLESS CLEAVER-BROOKS HAS BEEN CONSULTED. IT IS STRONGLY RECOMMENDED THAT THE CUSTOMER REQUEST AS-BUILT CERTIFIED DRAWINGS FOR THESE CASES.	WARNING LIFTING LUGS PROVIDED ON THE VESSEL SHALL ONLY BE USED TO LIFT THE VESSEL WHEN IT IS DRY.	WARNING CHANGES, MODIFICATIONS OR ALTERATIONS ARE STRICTLY PROHIBITED. CHANGES TO THIS DRAWING AND SUBSEQUENT MODIFICATION OF EQUIPMENT COULD RESULT IN DAMAGE TO THE EQUIPMENT AND/OR SERIOUS PERSONAL INJURY.	APPLICABILITY: SPRAYMASTER - BOILERMATE SURGE TANK BOILER FEED SYSTEMS	SCALE N.T.S. DATE 12/01/2014		STANDARD FEEDWATER DIMENSION ENVELOPES	DRWG. NO. 146-02144-000	00
				SIZE D	SHT 03 OF 05				