

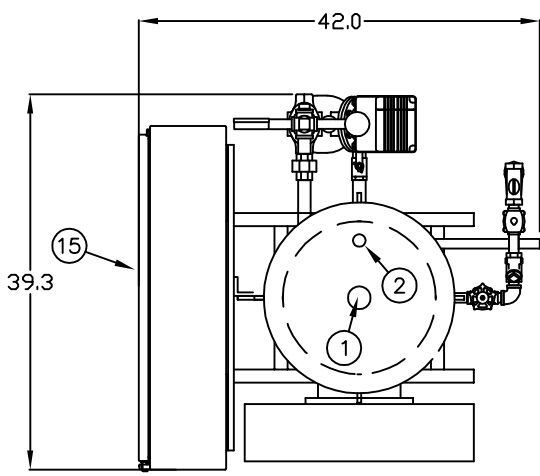
THIS DRAWING IS PROPERTY OF CLEAVER-BROOKS, INC. IT IS SUBJECT TO CHANGE WITHOUT NOTICE, AND IS NOT TO BE COPIED OR USED IN ANY WAY DETRIMENTAL TO THE COMPANY. SUGGESTIONS AND INFORMATION CONTAINED ON THIS DRAWING ARE NOT INTENDED TO SUPPLANT LOCAL CODES.

4

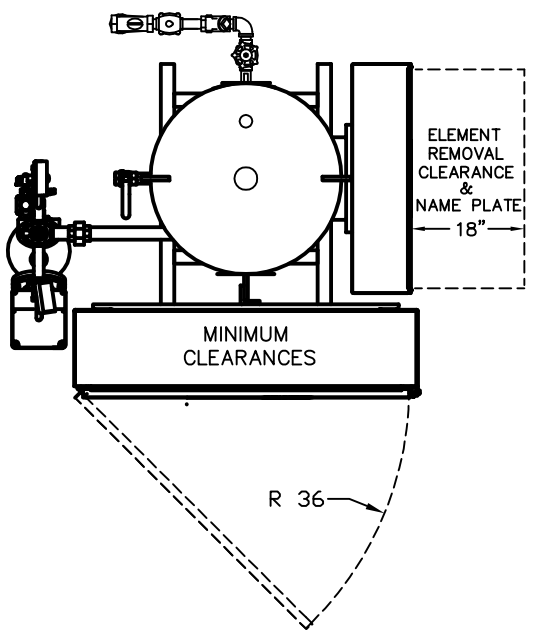
3

2

1

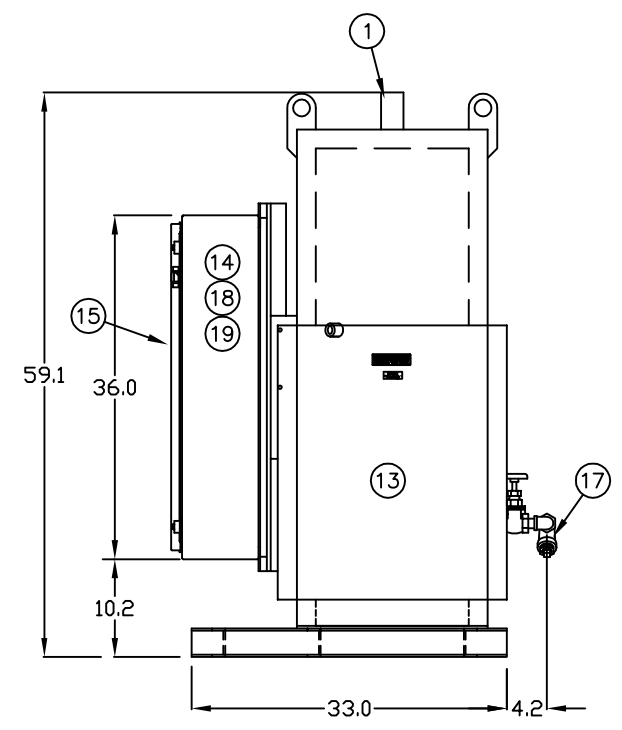


TOP VIEW

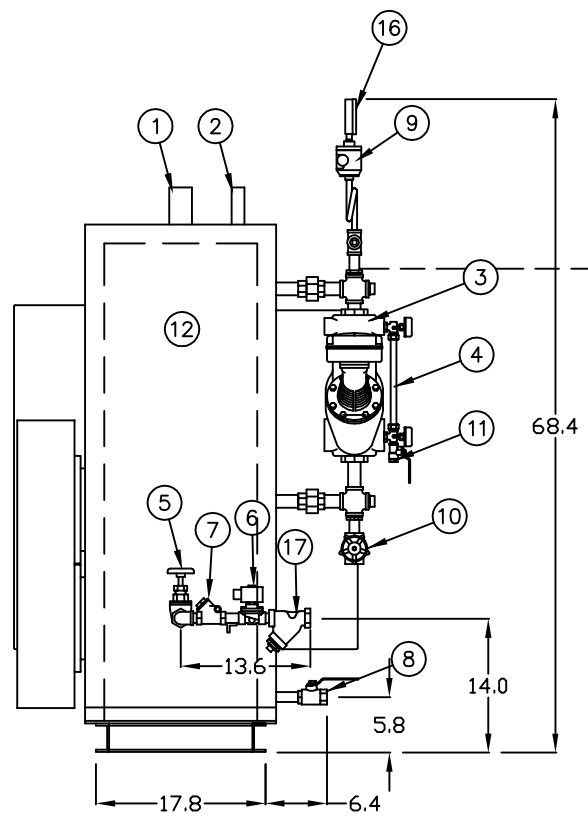


MINIMUM CLEARANCES

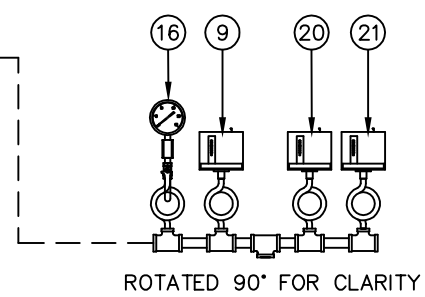
R 36



SIDE VIEW



BACK VIEW



ROTATED 90° FOR CLARITY

ITEM	DESCRIPTION/MATERIAL
1	STEAM OUTLET – 1.0 NPS
2	SAFETY VALVE (SHIPPED LOOSE)
3	LOW WATER CUTOFF WATER COLUMN – McD&M 157
4	SIGHT GAUGE GLASS
5	FEEDWATER – GLOBE VALVE 0.5 NPS
6	FEEDWATER SOLENOID VALVE 0.5 NPS
7	FEEDWATER – CHECK VALVE 0.5 NPS
8	BLOWDOWN DRAIN VALVE – 3/4 NPS
9	PRESSURE CONTROL – OPERATING
10	WATER COLUMN BLOWDOWN – 0.75 NPS
11	GUAGE GLASS BLOWDOWN – 0.25 NPS
12	AUX. LOW WATER CUTOFF – WARRICK PROBE
13	ELEMENT ACCESS PANEL
14	POWER/PILOT SWITCH
15	CONTROL PANEL / ENTRANCE PANEL DOOR
16	PRESSURE GAUGE
17	STRAINER
18	CB PROGRESSIVE CONTROLLER
19	ALARM
20	PRESSURE CONTROL – HIGH LEVEL
21	PRESSURE CONTROL – MODULATING

NOTES:

- Boiler to be constructed per ASME Boiler and Pressure Vessel Code, Section I, "S" stamped and National Board registered.
- Boiler will comply with NEC, CSD-1 and UL requirements
- (a) Vessel is to be wrapped with 2" insulation
(b) One layer of standard 2" insulation is to be on control panel back plate and rear wall of the boiler casing
- All valves to be mounted, hydro tested, & listed on all applicable forms

CAUTION
DIMENSIONS SHOWN ARE APPROXIMATE AND SHOULD NOT BE USED IN RESTRICTIVE LAYOUTS OR TO PREFABRICATE ASSEMBLIES UNLESS CLEAVER-BROOKS HAS BEEN CONSULTED. IT IS STRONGLY RECOMMENDED THAT THE CUSTOMER REQUEST AS-BUILT CERTIFIED DRAWINGS FOR THESE CASES.
BOILER MAY BE SHOWN WITH OPTIONAL EQUIPMENT IN LUEI OF STANDARD COMPONENTS.

REVISIONS	SPECIFICATIONS
	PRESSURE: DESIGN <u>150</u> MAX OPER <u>250</u> F KW <u>120</u> AT <u>480</u> / <u>3</u> / <u>60</u> <u>18</u> ELEMENTS AT <u>6.7</u> KW <u>67</u> WSI INCOLOY RELIEF VALVE SET PRESSURE <u>85</u> PSI

SAMPLE	DIMENSIONAL DRAWING
	SHT 01 OF 01

SCALE	CLEAVER BROOKS <i>The power of commitment.™</i>			
N.T.S.				
DATE	1/26/10			
DRAWN				
SIZE	S 480 VOLTS	162 SIZE 3 PHASE	120 KW 60 HERTZ	150ST PRESSURE 3 WIRE
				23 GALLONS NO INSURANCE
DRWG. NO.	SAMPLE			00