

4

3

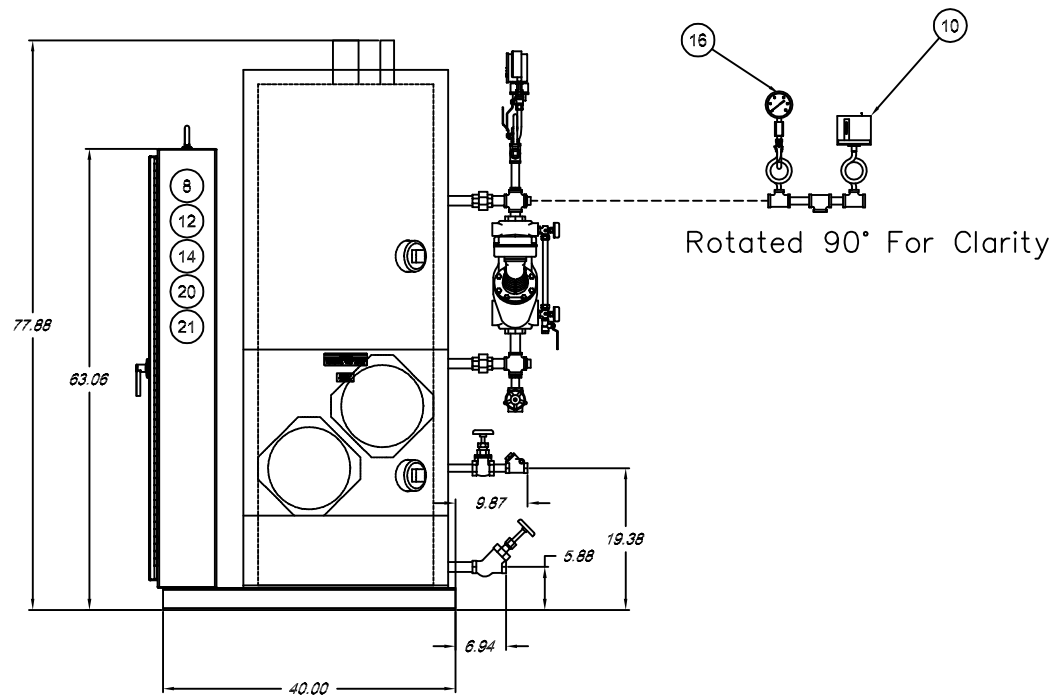
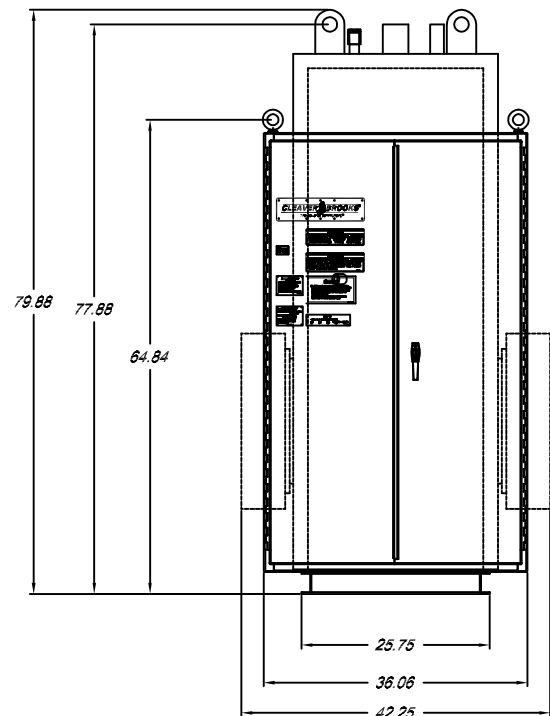
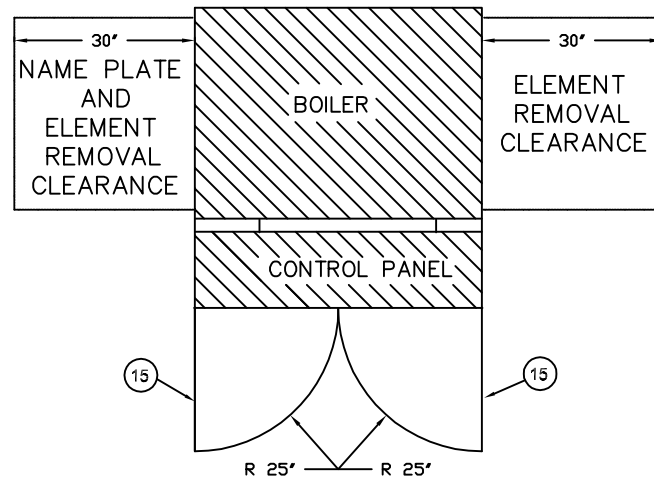
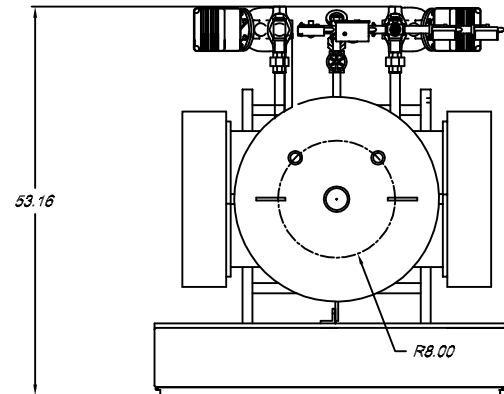
2

1

CAUTION

DIMENSIONS SHOWN ARE APPROXIMATE AND SHOULD NOT BE USED IN RESTRICTIVE LAYOUTS OR TO PREFABRICATE ASSEMBLIES UNLESS CLEAVER-BROOKS HAS BEEN CONSULTED. IT IS STRONGLY RECOMMENDED THAT THE CUSTOMER REQUEST AS-BUILT CERTIFIED DRAWINGS FOR THESE CASES.

BOILER MAY BE SHOWN WITH OPTIONAL EQUIPMENT IN LUEI OF STANDARD COMPONENTS.



ITEM	DESCRIPTION/MATERIAL
1	STEAM OUTLET – 2.0 NPS
2	SAFETY VALVE – 150 PSI (1-1/2" Outlet)
3	LOW WATER CUTOFF WATER COLUMN – McD&M 193-7B
4	SIGHT GAUGE GLASS BLOWDOWN – 0.25 NPS
5	FEEDWATER – GLOBE VALVE 0.75 NPS
6	FEEDWATER – CHECK VALVE 0.75 NPS
7	BLOWDOWN DRAIN VALVE – 1.0 NPS
8	TOGGLE SWITCH ON/OFF STEPS
9	AUX. LOW WATER CUTOFF – McD&M 150
10	PRESSURE CONTROL – OPERATING/HIGH LIMIT/MODULATING
11	WATER COLUMN BLOWDOWN – 0.75 NPS
12	(7) STEPS @ 47kW
13	ELEMENT ACCESS PANEL
14	PILOT SWITCH/ POWER LIGHT/ HIGH PRESS LIGHT/LOW WATER LIGHT
15	CONTROL PANEL DOORS
16	PRESSURE GAUGE
17	SURFACE BLOWOFF
18	N/A
19	N/A
20	ALARM – 4" BELL WITH SILENCING SWITCH
21	SWITCHGEAR – UNFUSED MANUAL DISCONNECT – 400 AMPS

NOTES:

- Boiler to be constructed per ASME Boiler and Pressure Vessel Code, Section I, "S" stamped and National Board registered.
- Boiler will have a ULC labeled panel
- (a) Vessel is to be wrapped with 2" insulation with sheet metal lagging
(b) One layer of standard 2" insulation is to be on control panel back plate and rear wall of the boiler casing
- All valves to be mounted, hydro tested, & listed on applicable forms.

THIS DRAWING IS PROPERTY OF CLEAVER-BROOKS, INC. IT IS SUBJECT TO CHANGE WITHOUT NOTICE, AND IS NOT TO BE COPIED OR USED IN ANY WAY DETRIMENTAL TO THE COMPANY. SUGGESTIONS AND INFORMATION CONTAINED ON THIS DRAWING ARE NOT INTENDED TO SUPPLANT LOCAL CODES.

REVISIONS

SPECIFICATIONS

PRESSURE: DESIGN 150PSI
KW 328 AT 600 / 3 / 60
42 ELEMENTS AT 7.8 KW 78 WSI INCOLOY
SAFETY VALVE SET PRESSURE 150 PSI

SAMPLE

DIMENSIONAL DRAWING

SHT 01 OF 01

SCALE
N.T.S.
DATE
9/23/10
DRAWN

SIZE

CleaverBrooks®

S TYPE	241 KW	328 KW	150ST PRESSURE	GALLONS
600 VOLTS	3 PHASE	60 HERTZ	3 WIRE	N/A INSURANCE

DRWG. NO.

SAMPLE

00

D

C

B

A