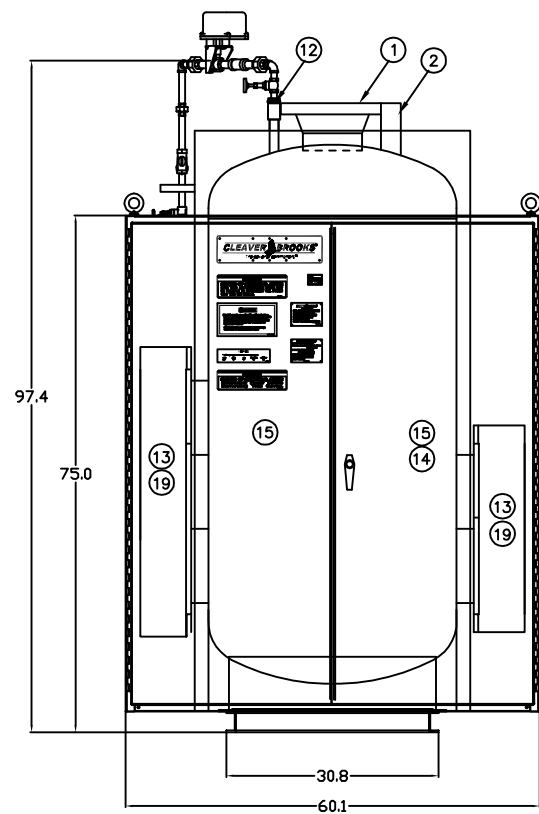
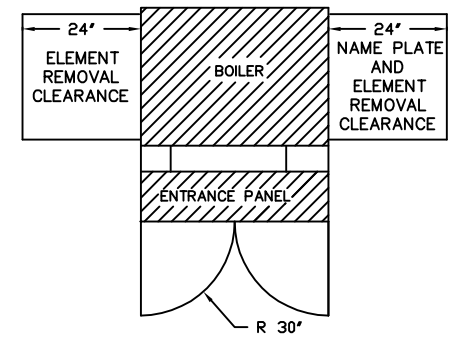
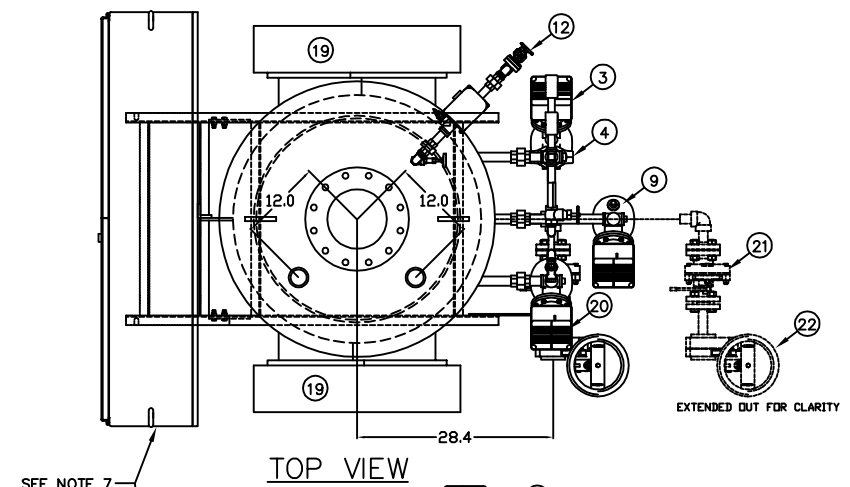


| ITEM | DESCRIPTION/MATERIAL |
|------|--|
| 1 | STEAM OUTLET – 8.0" FLG 300# |
| 2 | (1) SAFETY VALVE – 30 PSI KUNKLE 6010HGE (Shipped Loose) (1) SAFETY VALVE – 30 PSI KUNKLE 6010JHE (Shipped Loose) |
| 3 | LOW WATER CUTOFF WATER COLUMN – McD&M 157 |
| 4 | SIGHT GAUGE GLASS BLOWDOWN |
| 5 | FEEDWATER – GLOBE VALVE 0.75 NPS |
| 6 | FEEDWATER – SWING CHECK VALVE 0.75 NPS |
| 7 | FEEDWATER – SOLENOID VALVE 0.75 NPS |
| 8 | CHEMICAL FEED – 0.5 NPS |
| 9 | AUX. LOW WATER CUTOFF – McD&M 150 |
| 10 | PRESSURE CONTROL – OPERATING |
| 11 | WATER COLUMN BLOWDOWN – 0.75 NPS |
| 12 | SURFACE BLOWOFF (STOP VALVE, STRAINER, METERING) – 0.5 NPS |
| 13 | ELEMENT ACCESS PANEL |
| 14 | POWER SWITCH |
| 15 | ENTRANCE PANEL DOOR |
| 16 | PRESSURE GAUGE |
| 17 | ALARM 4" BELL WITH SILENCING SWITCH |
| 18 | MANWAY COVER & YOKE |
| 19 | ELEMENTS (84 @ 12kW) |
| 20 | HIGH WATER CUTOFF – McD&M 150 |
| 21 | QUICK OPENING BLOWDOWN VALVE – EVERLASTING 4001-A 1" FLG |
| 22 | SLOW OPENING BLOWDOWN VALVE – EVERLASTING 4060-A 1" NPS |
| 23 | STEAM HEADER VALVE – 8" 300 LB FLG (2) (SHIPPED LOOSE) |
| 24 | 8 X 8 X 12 ASME SPOOL SECTION WITH FREE BLOW DRAIN VALVE (SHIP LOOSE) |
| 25 | 8 X 8 X 10 ASME SPOOL PIECE (SHIP LOOSE) |
| 26 | WAFER CHECK VALVE – 8" (SHIP LOOSE) |
| 27 | VACUUM BREAKER |
| 28 | FEEDWATER STRAINER |
| 29 | PRESSURE CONTROL – HIGH LIMIT |
| 30 | PRESSURE CONTROL – MODULATING |

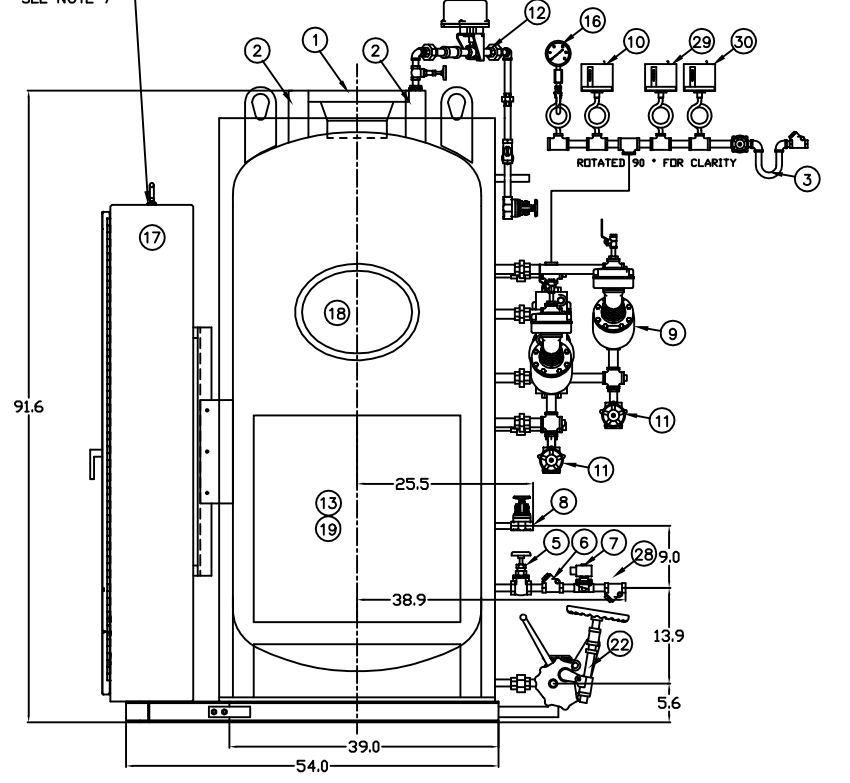
CAUTION
 DIMENSIONS SHOWN ARE APPROXIMATE AND SHOULD NOT BE USED IN RESTRICTIVE LAYOUTS OR TO PREFABRICATE ASSEMBLIES UNLESS CLEAVER-BROOKS HAS BEEN CONSULTED. IT IS STRONGLY RECOMMENDED THAT THE CUSTOMER REQUEST AS-BUILT CERTIFIED DRAWINGS FOR THESE CASES.
 BOILER MAY BE SHOWN WITH OPTIONAL EQUIPMENT IN LUEI OF STANDARD COMPONENTS.



BOILER FRONT



TOP VIEW



RIGHT SIDE VIEW

- NOTES:
- Boiler to be constructed per ASME Boiler and Pressure Vessel Code, Section I, "S" stamped and National Board registered.
 - Boiler will have a UL label
 - Boiler is wrapped with (2) layers of 2" thick insulation & covered with sheet metal lagging.
 - Boiler meets CSD-1 Requirements
 - All valves to be mounted, hydro tested, & listed on all applicable forms
 - Entrance panel to be unbolted, unwired, and shipped loose, separate from boiler

| SPECIFICATIONS |
|---|
| PRESSURE: DESIGN 150PSI KW 1008 AT 480 / 3 / 60 84 ELEMENTS AT 12 KW 67 WSI SAFETY VALVE SET PRESSURE 30 PSI |

SAMPLE

DIMENSIONAL DRAWING
SHT 01 OF 01

SCALE
 N.T.S.
 DATE
 9/2/09
 DRAWN



| S TYPE | 362 SIZE | 1008 KW | 150ST PRESSURE | GALLONS |
|-----------|----------|----------|----------------|---------------|
| 480 VOLTS | 3 PHASE | 60 HERTZ | 3 WIRE | N/A INSURANCE |

DRWG. NO. SAMPLE 00

THIS DRAWING IS PROPERTY OF CLEAVER-BROOKS, INC. IT IS SUBJECT TO CHANGE WITHOUT NOTICE, AND IS NOT TO BE COPIED OR USED IN ANY WAY DETRIMENTAL TO THE COMPANY. SUGGESTIONS AND INFORMATION CONTAINED ON THIS DRAWING ARE NOT INTENDED TO SUPPLANT LOCAL CODES.

D
C
B
A