

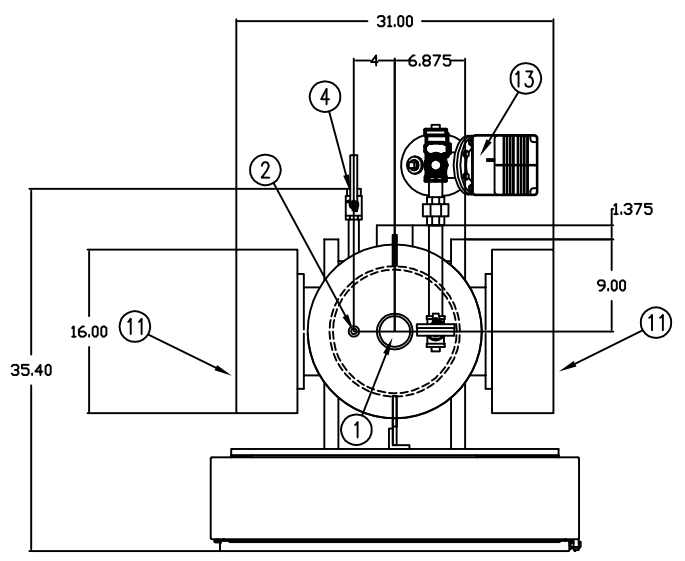
THIS DRAWING IS PROPERTY OF CLEAVER-BROOKS, INC. IT IS SUBJECT TO CHANGE WITHOUT NOTICE, AND IS NOT TO BE COPIED OR USED IN ANY WAY DETRIMENTAL TO THE COMPANY. SUGGESTIONS AND INFORMATION CONTAINED ON THIS DRAWING ARE NOT INTENDED TO SUPPLANT LOCAL CODES.

4

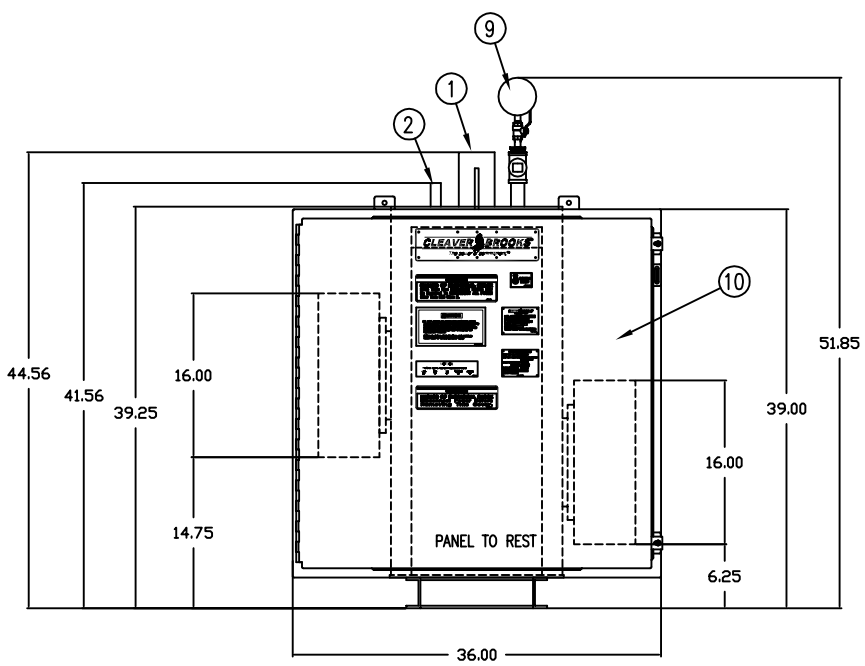
3

2

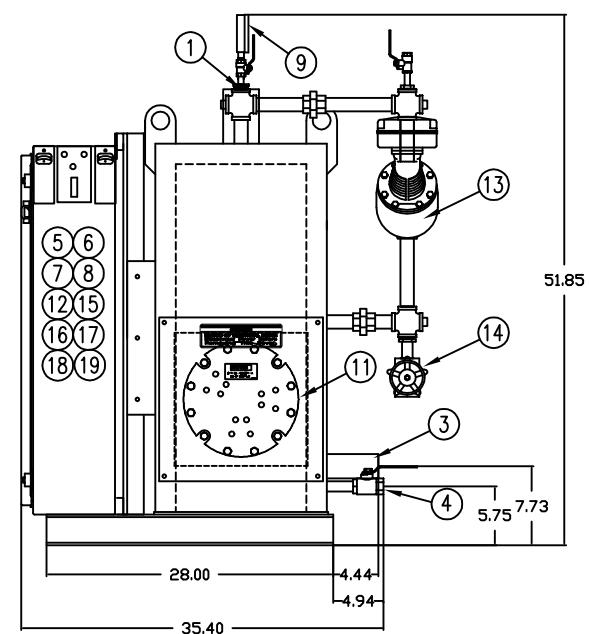
1



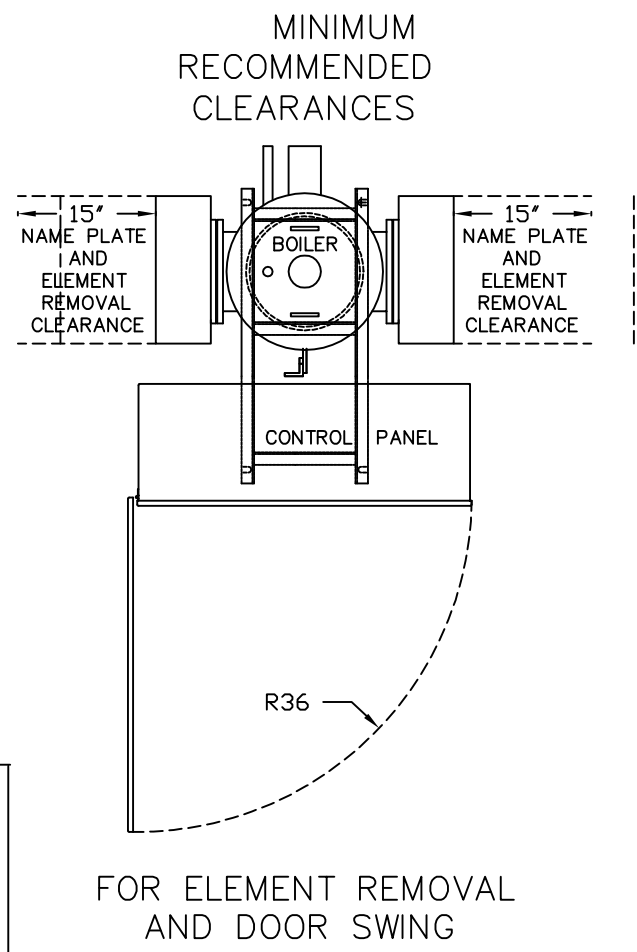
TOP VIEW



FRONT VIEW



SIDE VIEW



FOR ELEMENT REMOVAL AND DOOR SWING

ITEM	DESCRIPTION/MATERIAL
1	OUTLET - 3.0 NPS
2	SAFETY VALVE - (1) @ 50 PSI
3	RETURN/FEEDWATER - 3.0 NPS
4	BLOWDOWN/DRAIN VALVE - 0.75 NPS
5	TEMPERATURE CONTROLLER - HIGH LIMIT
6	TEMPERATURE CONTROLLER - OPERATING LIMIT
7	TEMPERATURE CONTROLLER - MODULATING LIMIT
8	ALARM WITH SILENCING SWITCH
9	PRESSURE GAUGE
10	ELECTRICAL PANEL ENTRANCE/DOOR
11	ELEMENT ACCESS PANEL
12	POWER SWITCH WITH PILOT LIGHT(S)
13	LOW WATER CUTOFF - McDONNELL MILLER 150 (MANUAL RESET)
14	LOW WATER CUTOFF BLOWDOWN - 0.75 NPS
15	DIGITAL TEMPERATURE READOUT
16	STEP LIGHTS (3 STEPS @ 36 KW)(1 STEPS @ 18 KW)
17	CB PROGRESSIVE CONTROLLER, 4-STEP
18	TOGGLE SWITCH ON/OFF STEPS
19	SWITCHGEAR FUSED MANUAL DISCONNECT 200 AMP

NOTES:

- 1) Boiler to be constructed per ASME Boiler and Pressure Vessel Code, Section IV, "H" stamped and National Board registered.
- 2) Boiler to comply with NEC and CUL requirements.
- 3a) Vessel is to be wrapped with 2" insulation
- c) Jacket enclosure is to be lined with one layer of insulation.
- 4) Boiler meets CSD-1 requirements

CAUTION
 DIMENSIONS SHOWN ARE APPROXIMATE AND SHOULD NOT BE USED IN RESTRICTIVE LAYOUTS OR TO PREFABRICATE ASSEMBLIES UNLESS CLEAVER-BROOKS HAS BEEN CONSULTED. IT IS STRONGLY RECOMMENDED THAT THE CUSTOMER REQUEST AS-BUILT CERTIFIED DRAWINGS FOR THESE CASES.
 BOILER MAY BE SHOWN WITH OPTIONAL EQUIPMENT IN LUEI OF STANDARD COMPONENTS.

REVISIONS	ELECTRICAL SPECIFICATIONS
	PRESSURE: DESIGN <u>160</u> HW KW <u>126</u> AT <u>600</u> / <u>3</u> / <u>60</u> <u>21</u> ELEMENTS AT <u>6</u> KW <u>75</u> WSI INCOLOY RELIEF VALVE SET PRESSURE <u>50</u> PSI

SAMPLE	DIMENSIONAL DRAWING
	SHT 01 OF 01

REVISIONS	SCALE N.T.S.	CLEAVER BROOKS <i>The power of commitment.™</i>										
	DATE 1/28/11											
REVISIONS	DRAWN	<table border="0" style="width: 100%;"> <tr> <td>WB TYPE</td> <td>121 SIZE</td> <td>126 KW</td> <td>160HW PRESSURE</td> <td>GALLONS</td> </tr> <tr> <td>600 VOLTS</td> <td>3 PHASE</td> <td>60 HERTZ</td> <td>3 WIRE</td> <td>NO INSURANCE</td> </tr> </table>	WB TYPE	121 SIZE	126 KW	160HW PRESSURE	GALLONS	600 VOLTS	3 PHASE	60 HERTZ	3 WIRE	NO INSURANCE
	WB TYPE		121 SIZE	126 KW	160HW PRESSURE	GALLONS						
600 VOLTS	3 PHASE	60 HERTZ	3 WIRE	NO INSURANCE								
REVISIONS	SIZE	DRWG. NO. SAMPLE 00										

D
C
B
A