



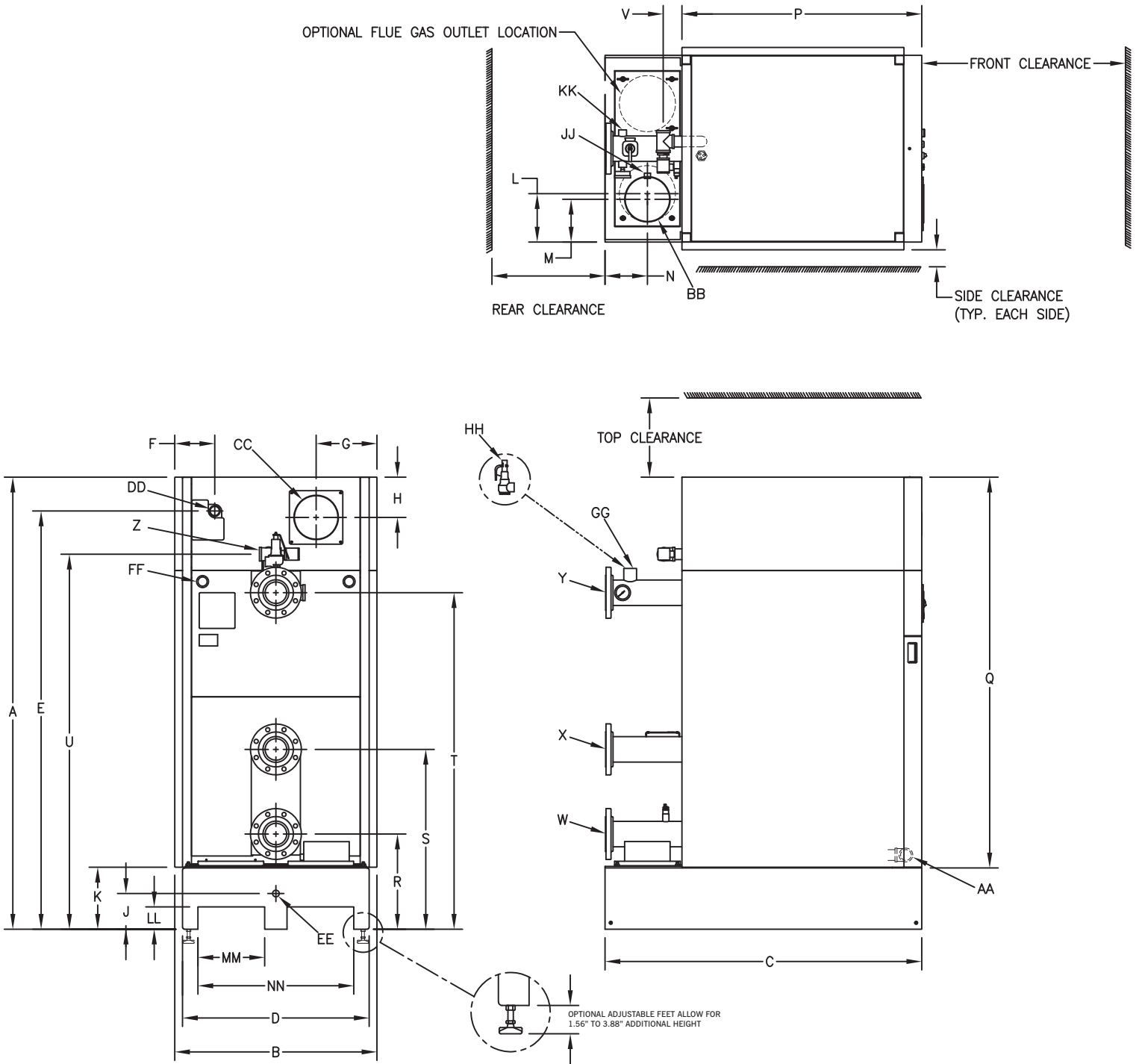
MODEL CFC-E BOILERS

500-6000 MBTU



Dimensions and Ratings

Dimension Diagram CFC-E



Dimensions Model CFC-E

ITEM	DIMENSIONS (inches)	500/750	1000	1500	2000	3500	4000	5000	6000
A	Overall Height	78.0	78.0	79.9	79.9	91.2	91.2	93.6	93.6
B	Overall Width	34.9	34.9	35.8	35.8	48.4	48.4	58.7	58.7
C	Overall Depth	49.4	49.4	56	56	68.4	68.4	80.6	80.6
D	Width Less Casing	32.1	32.1	33.0	33.0	45.7	45.7	55.9	55.9
E	Gas Connection to Floor	70.3	70.3	73.9	73.9	77.7	77.7	79.5	79.5
F	Side of Casing to Gas Connection	3.7	3.7	7.1	7.1	4.9	4.9	4.6	4.6
G	Side of Casing to Air Inlet	10.8	10.8	10.8	10.8	11.0	11.0	12.0	12.0
H	Top of Casing to Air Inlet	7.7	7.7	7.1	7.1	9.0	9.0	9.9	9.9
J	Floor to Condensate Drain	6.3	6.3	6.3	6.3	5.7	5.7	5.7	5.7
K	Floor to Bottom of Casing	11.0	11.0	11.0	11.0	11.4	11.4	12.0	12.0
L	Side of Base to Flue Outlet (Centered)	7.4	7.4	8.5	8.5	8.8	8.8	10.0	10.0
M	Side of Base to Flue Outlet (Offset)	6.4	6.4	7.5	7.5	N/A	N/A	N/A	N/A
N	Rear of Base to Flue Outlet	6.5	6.5	7.5	7.5	8.8	8.8	9.8	9.8
P	Casing Depth	36.3	36.3	42.4	42.4	52.5	52.5	62.1	62.1
Q	Casing Height	67.0	67.0	68.9	68.9	79.8	79.8	81.6	81.6
R	Floor to Lower Return Connection	16.8	16.8	16.8	16.8	16.8	16.8	18.5	18.5
S	Floor to Upper Return Connection	31.8	31.8	31.8	31.8	32.6	32.6	32.3	32.3
T	Floor to Supply Connection	59.5	59.5	59.5	59.5	62.3	62.3	63.3	63.3
U	Floor to Air vent Connection	66.3	66.3	66.3	66.3	70.3	70.3	71.9	71.9
V	Air Vent Line Projection from Rear of Casing	3.2	3.2	3.3	3.3	2.2	2.2	2.8	2.8

CONNECTIONS

W	Water Low Temp. Return, Class150 RF Flange	2-1/2"	2-1/2"	4"	4"	5"	5"	6"	6"
X	Water High Temp. Return, Class150 RF Flange	2-1/2"	2-1/2"	4"	4"	5"	5"	6"	6"
Y	Water Outlet, Class150 RF Flange	2-1/2"	2-1/2"	4"	4"	5"	5"	6"	6"
Z	Air Vent, NPT	1-1/2"	1-1/2"	1-1/2"	1-1/2"	1-1/2"	1-1/2"	1-1/2"	1-1/2"
AA	Vessel Drain, NPT	1-1/2"	1-1/2"	1-1/2"	1-1/2"	1-1/2"	1-1/2"	1-1/2"	1-1/2"
BB	Flue Gas Outlet								
	(Standard) - Nominal	6"	8"	8"	8"	12"	12"	14"	14"
	(Option) - Nominal	8"	6"	10"	10"	NA	NA	16"	16"
CC	Combustion Air - Nominal	6"	6"	8"	8"	12"	12"	14"	14"
DD	Gas, NPT	1"	1"	1-1/2"	1-1/2"	2	2	2"	2"
EE	Condensate Drain, NPT	1"	1"	1"	1"	1"	1"	1"	1"
FF	Electrical Opening, Left or Right	1.6"	1.6"	1.6"	1.6"	1.6"	1.6"	1.6"	1.6"
GG	Safety Relief Valve Vessel Connection, NPT	1-1/4"	1-1/4"	1-1/4"	1-1/4"	2"	2"	2"	2"
HH	Safety Relief Valve	SEE TABLE PAGE 5							
JJ	Flue Coupling, NPT	3/4"	3/4"	3/4"	3/4"	3/4"	3/4"	3/4"	3/4"
KK	Water Outlet Coupling, NPT	1/2"	1/2"	1/2"	1/2"	1/2"	1/2"	1/2"	1/2"

FORK POCKETS (inches)

LL	Pocket Height	3.9	3.9	3.9	3.9	3.9	3.9	3.9	3.9
MM	Pocket Width	11.8	11.8	11.8	11.8	11.8	11.8	11.8	11.8
NN	Overall Pocket Width	27.6	27.6	27.6	27.6	27.6	27.6	27.6	27.6

WEIGHTS

	Dry Weight (lb)	1298	1396	1861	2041	3575	3760	4900	5225
	Shipping Weight (lb)	1413	1511	1986	2166	3725	3915	5075	5450
	Operating Weight (lb)	2065	2113	2778	2858	5230	5305	7505	7660
	Water Volume (gallon)	92	86	110	98	198	185	312	285

CLEARANCES

Top	14"
Side	3"
Rear	20"
Front	36"

Notes:

- Boiler rear must be accessible for servicing.
- Side clearance to wall or between boilers.
- Side clearance typical each side.

Dimensions (metric) Model CFC-E

ITEM	DIMENSIONS (mm)	500	750	1000	1500	2000	3500	4000	5000	6000
A	Overall Height	1982	1982	1982	2028	2028	2316	2316	2377	2377
B	Overall Width	886	886	886	908	908	1229	1229	1491	1491
C	Overall Depth	1255	1255	1255	1422	1422	1737	1737	2047	2047
D	Width Less Casing	816	816	816	838	838	1161	1161	1420	1420
E	Gas Connection to Floor	1786	1786	1786	1877	1877	1974	1974	2019	2019
F	Side of Casing to Gas Connection	95	95	95	180	180	124	124	117	117
G	Side of Casing to Air Inlet	275	275	275	273	273	279	279	305	305
H	Top of Casing to Air Inlet	196	196	196	180	180	229	229	251	251
J	Floor to Condensate Drain	160	160	160	160	160	145	145	145	145
K	Floor to Bottom of Casing	279	279	279	279	279	290	290	305	305
L	Side of Base to Flue Outlet	189	189	189	217	217	224	224	254	254
M	Side of Base to Flue Outlet (Offset)	164	164	164	192	192	N/A	N/A	N/A	N/A
N	Rear of Base to Flue Outlet	165	165	165	190	190	224	224	249	249
P	Casing Depth	921	921	921	1077	1077	1334	1334	1577	1577
Q	Casing Height	1703	1703	1703	1749	1749	2027	2027	2073	2073
R	Floor to Lower Return Connection	428	428	428	428	428	428	428	470	470
S	Floor to Upper Return Connection	808	808	808	808	808	828	828	820	820
T	Floor to Supply Connection	1511	1511	1511	1511	1511	1582	1582	1608	1608
U	Floor to Air vent Connection	1683	1683	1683	1683	1683	1786	1786	1826	1826
V	Air Vent Line Projection From Rear of Casing	81	81	81	84	84	56	56	71	71

FORK POCKETS (inches)

LL	Pocket Height	100	100	100	100	100	100	100	100	100
MM	Pocket Width	300	300	300	300	300	300	300	300	300
NN	Overall Pocket Width	700	700	700	700	700	700	700	700	700

WEIGHTS

	Dry Weight (kg)	589	589	633	844	926	1621	1706	2223	2371
	Shipping Weight (kg)	641	641	686	901	983	1690	1775	2301	2472
	Operating Weight (kg)	939	939	969	1260	1280	2371	2406	3403	3474
	Water Volume (liter)	350	350	324	416	370	750	700	1100	1080

CLEARANCES (mm)

Top	356
Side	76
Rear	508
Front	914

Notes:

- Boiler rear must be accessible for servicing.
- Side clearance to wall or between boilers.
- Side clearance typical each side.

Safety Valves

	500/750	1000	1500	2000	3500	4000	5000	6000
30 psig Inlet x Outlet, NPT	1" x 1-1/4"	1" x 1-1/4"	1" x 1-1/4"	1-1/4" x 1-1/2"	2" x 2-1/2"	2" x 2-1/2"	2" x 2-1/2"	2" x 2-1/2"
50 psig Inlet x Outlet, NPT	3/4" x 1"	3/4" x 1"	3/4" x 1"	1" x 1-1/4"	1-1/4" x 1-1/2"	1-1/2" x 2"	1-1/2" x 2"	2" x 2-1/2"
60 psig Inlet x Outlet, NPT	3/4" x 1"	3/4" x 1"	3/4" x 1"	1" x 1-1/4"	1-1/2" x 2"	1-1/2" x 2"	1-1/2" x 2"	2" x 2-1/2"
75 psig Inlet x Outlet, NPT	3/4" x 1"	3/4" x 1"	3/4" x 1"	3/4" x 1"	1-1/2" x 2"	1-1/2" x 2"	1-1/2" x 2"	1-1/2" x 2"
80 psig Inlet x Outlet, NPT	3/4" x 1"	3/4" x 1"	3/4" x 1"	3/4" x 1"	1" x 1-1/4"	1-1/2" x 2"	1-1/2" x 2"	1-1/2" x 2"
100 psig Inlet x Outlet, NPT	3/4" x 1"	3/4" x 1"	3/4" x 1"	3/4" x 1"	1" x 1-1/4"	1" x 1-1/4"	1-1/2" x 2"	1-1/2" x 2"
125 psig Inlet x Outlet, NPT	3/4" x 1"	3/4" x 1"	3/4" x 1"	3/4" x 1"	1" x 1-1/4"	1" x 1-1/4"	1" x 1-1/4"	1-1/2" x 2"

Boiler Ratings

Description	Units	Boiler Size								
		500	750	1000	1500	2000	3500	4000	5000	6000
Input Max.	Btu/Hr	500,000	750,000	1,000,000	1,500,000	2,000,000	3,500,000	4,000,000	5,000,000	6,000,000
	KCal/Hr	126,000	189,000	252,000	378,000	504,000	882,000	1,008,000	1,260,000	1,512,000
Natural Gas	Ft ³ /Hr	500	750	1000	1500	2000	3500	4000	5000	6000
Propane	Ft ³ /Hr	200	300	400	600	800	1400	1600	2000	2400
Natural Gas	M ³ /Hr	14	21	28	42	57	99	113	142	170
Propane	M ³ /Hr	5.7	8.5	11	17	23	40	45	57	68
Output at 120/80 F [49/27 C] 100% Firing	Btu/Hr	470,000	705,000	940,000	1,410,000	1,880,000	3,290,000	3,760,000	4,700,000	5,640,000
	KCal/Hr	118,440	177,660	236,880	355,320	473,760	829,080	947,520	1,184,400	1,421,280
	BHP	14	21	28	42	56	98	112	140	168
	KW	138	207	275	413	551	964	1102	1377	1653
Output at 180/140 F [82/60 C] 100% Firing	Btu/Hr	440,000	660,000	880,000	1,320,000	1,760,000	3,080,000	3,520,000	4,400,000	5,280,000
	KCal/Hr	110,880	166,320	221,760	332,640	443,520	776,160	887,040	1,108,800	1,330,560
	BHP	13	20	26	39	53	92	105	131	158
	KW	129	193	258	387	516	903	1032	1290	1547
MAWP	psi	125	125	125	125	125	125	125	125	125
	Bar	8.6	8.6	8.6	8.6	8.6	8.6	8.6	8.6	8.6
MAWT	°F	210	210	210	210	210	210	210	210	210
	°C	99	99	99	99	99	99	99	99	99
Water Content	Gallons	92	92	86	110	98	198	185	312	285
	Liters	350	350	324	416	370	750	700	1180	1080
Weight w/o Water	Pounds	1,298	1,298	1,396	1,861	2,041	3574	3761	4901	5278
	Kg	589	589	633	844	926	1621	1706	2223	2394
Standby Heat Loss	Btu/Hr	1000	1500	2000	3000	4000	7000	8000	10000	12000
	Watts	293	440	586	879	1172	2051	2344	2930	3516
ECM Blower Motor Size	Watts	335	335	335	1,700	1,700	2,400	2,400	6,000	6,000
Operating Voltage, Blower	Volts/Ph/Hz	115/1/60	115/1/60	115/1/60	115/1/60	115/1/60	460/3/60	460/3/60	460/3/60	460/3/60
Control Circuit	Volts/Ph/Hz	115/1/60	115/1/60	115/1/60	115/1/60	115/1/60	115/1/60	115/1/60	115/1/60	115/1/60
Max Current Draw, Blower	Amperes	4	4	4	13.5	13.5	4	4	12.7	12.7
Max Current Draw Control Circuit	Amperes	1.5	1.5	1.5	2	2	2	2	2	2
Max Over Current Protection	Amperes	20	20	20	20	20	20	20	20	20
Condensate Qty Firing Nat. Gas & operating @ 120/80 F.	Gal/Hr	3.5	5	6.5	10	13.5	24.0	27.0	34.0	40.5
Flue Gas Mass Flow @ 100% Firing	lb/hr	557	835	1,113	1,670	2,226	3,897	4,452	5,567	6,678
	kg/hr	252	379	505	758	1010	1768	2019	2525	3029

