

Parts List	
ITEM	DESCRIPTION
1	CONTROL PANEL
2	BURNER HOUSING COVER
3	CONTROL/TRIM PIPING
4	SURFACE BLOWOFF PIPING (OPTIONAL)
5	COLLECTOR PIPE (OPTIONAL)
6	HANDHOLES (4)
7	8 5/8" O.D. PIPE COMBUSTION AIR DIRECT VENT KIT (OPTIONAL)
8	SAFETY RELIEF VALVE, 1" INLET (SET @ 150#)
9	1 1/4" BLOWDOWN PIPING (OPTIONAL)
10	1 1/4" FEEDWATER PIPING (OPTIONAL)
11	1 1/2" GAS TRAIN PIPING
12	BLOWER MOTOR, 115V 50/60HZ. 1200 W
13	BURNER SIGHT GLASS
14	VALVE, GAS 120 VAC 1 1/4" NPT.
15	LOW GAS PRESSURE SWITCH
16	HIGH GAS PRESSURE SWITCH
17	GAS PRESSURE REGULATOR, MAXITROL, #RV81
18	1 1/2" BALL VALVE
19	1 1/4" BALL VALVE
20	AUX. LOW WATER CUT OFF PROBE HOLDER
21	LOW WATER CUT OFF AND PUMP CONTROL
22	BURNER CAN UNIT
23	COMBUSTION AIR PROVING SWITCH
24	STEAM PRESSURE GAUGE
25	LEAKAGE TEST COCKS (3)
26	CHEMICAL FEED PUMP

NOTES:

1. BOILER IS DESIGNED AND CONSTRUCTED IN ACCORDANCE WITH THE ASME BOILER AND PRESSURE VESSEL CODE: SECTION I.
2. BOILER HAS 2" BLANKET INSULATION, COVERED WITH SECTIONAL STAINLESS STEEL SHEET METAL LAGGING.
3. ASME CSD-1 COMPLIANT.
4. UNIT IS FACTORY FIRE TESTED.
5. BURNER IS FULLY MODULATING WITH 5:1 TURN DOWN.

ITEM	CONNECTIONS:
A	10" STACK OUTLET
B	1 1/2" NPT. GAS SUPPLY
C	3" NPT. STEAM OUTLET
D	1 1/4" RELIEF VALVE OUTLET
E	1/2" NPT. CONDENSATE DRAIN & O2 SAMPLE
F	1 1/4" NPT. FEED WATER
G	1 1/4" NPT. BLOWDOWN
H	8" DIA. COMB. AIR/DIRECT VENT
I	1 1/4" NPT. SURFACE BLOWOFF CONNECTION
J	1/4" NPT. GAUGE GLASS DRAIN
K	3/4" NPT. WATER COLUMN DRAIN
L	1" NPT. OPTIONAL ALWCO
M	1/4" I.D. CHEMICAL FEED INLET & OUTLET

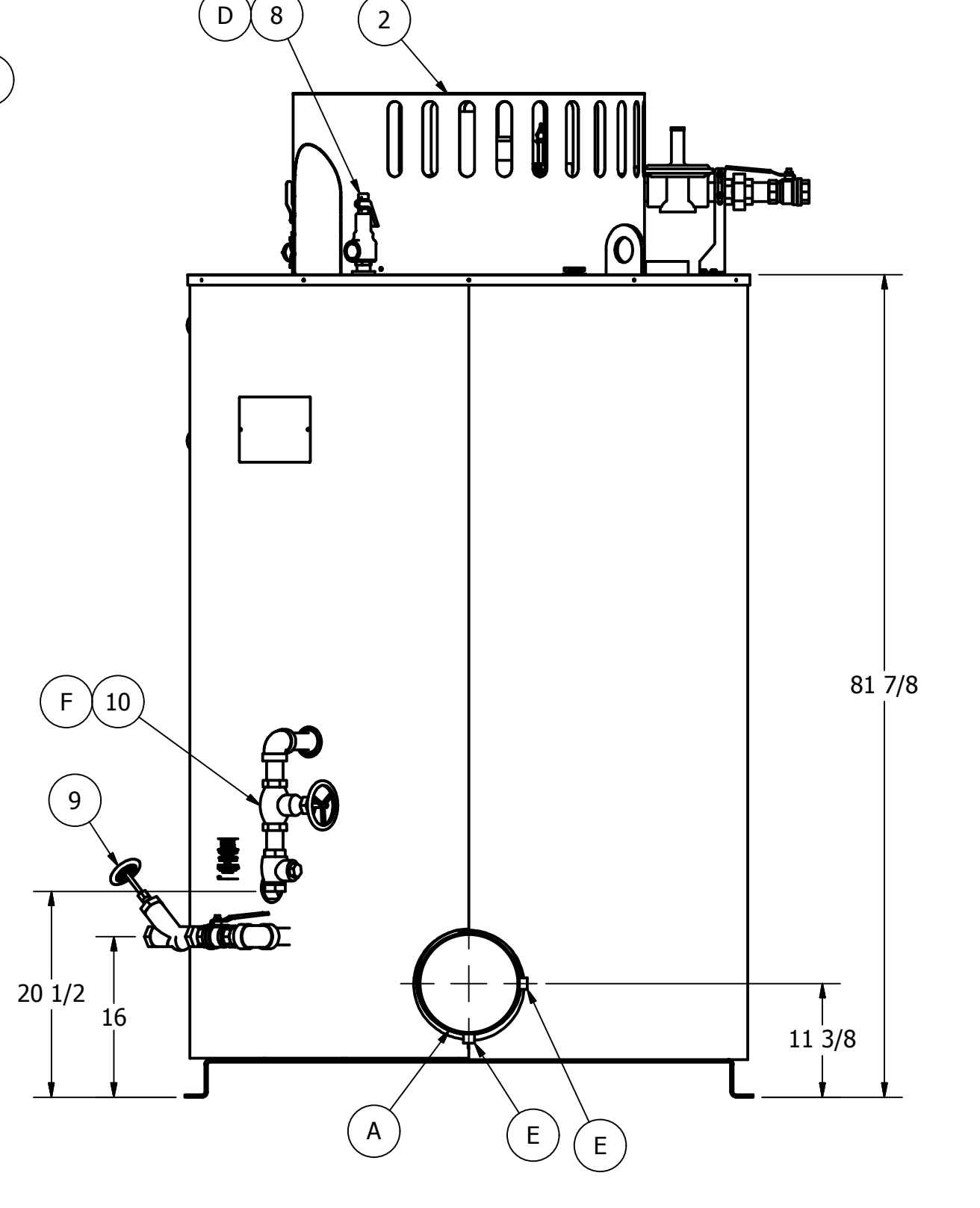
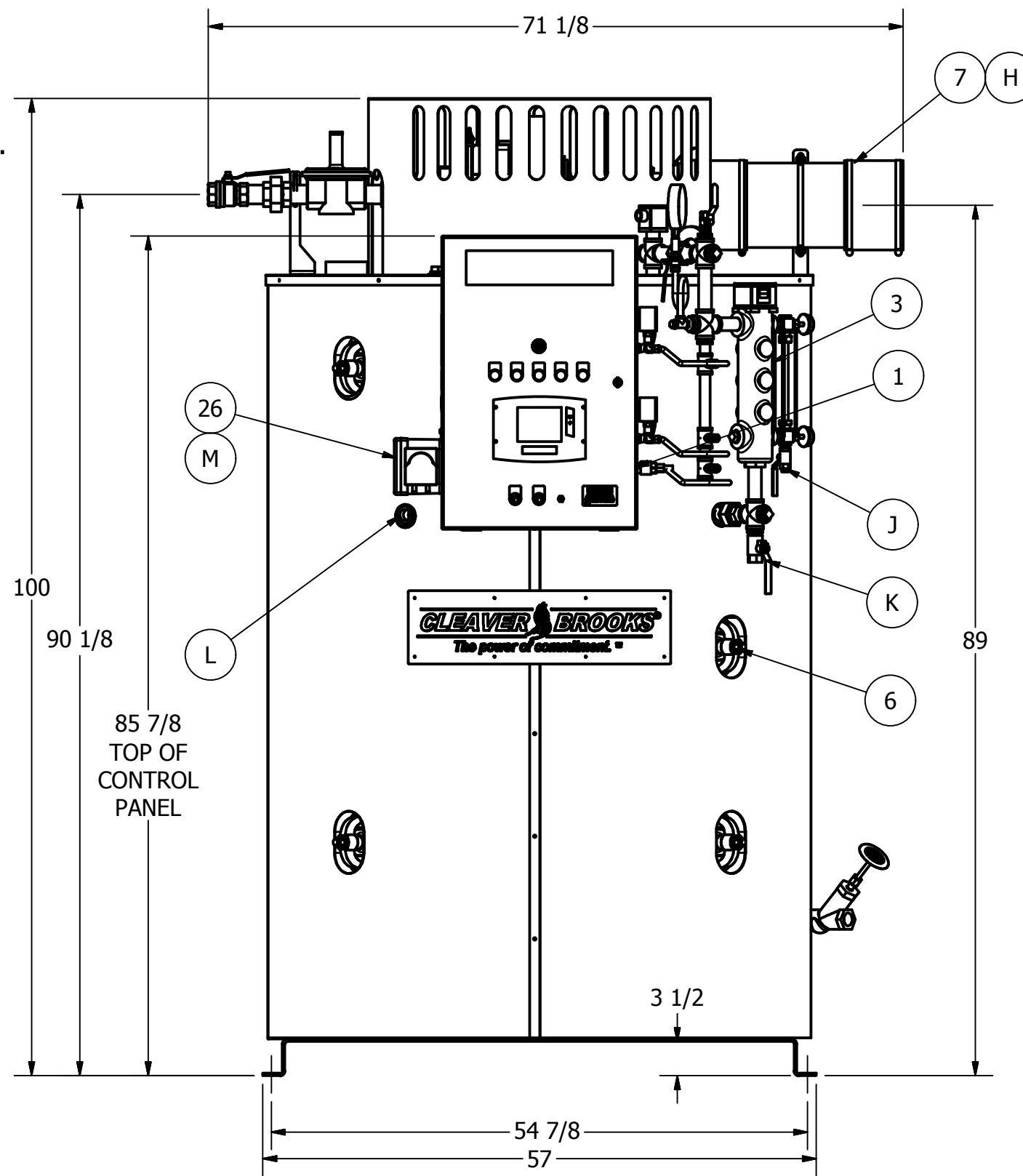
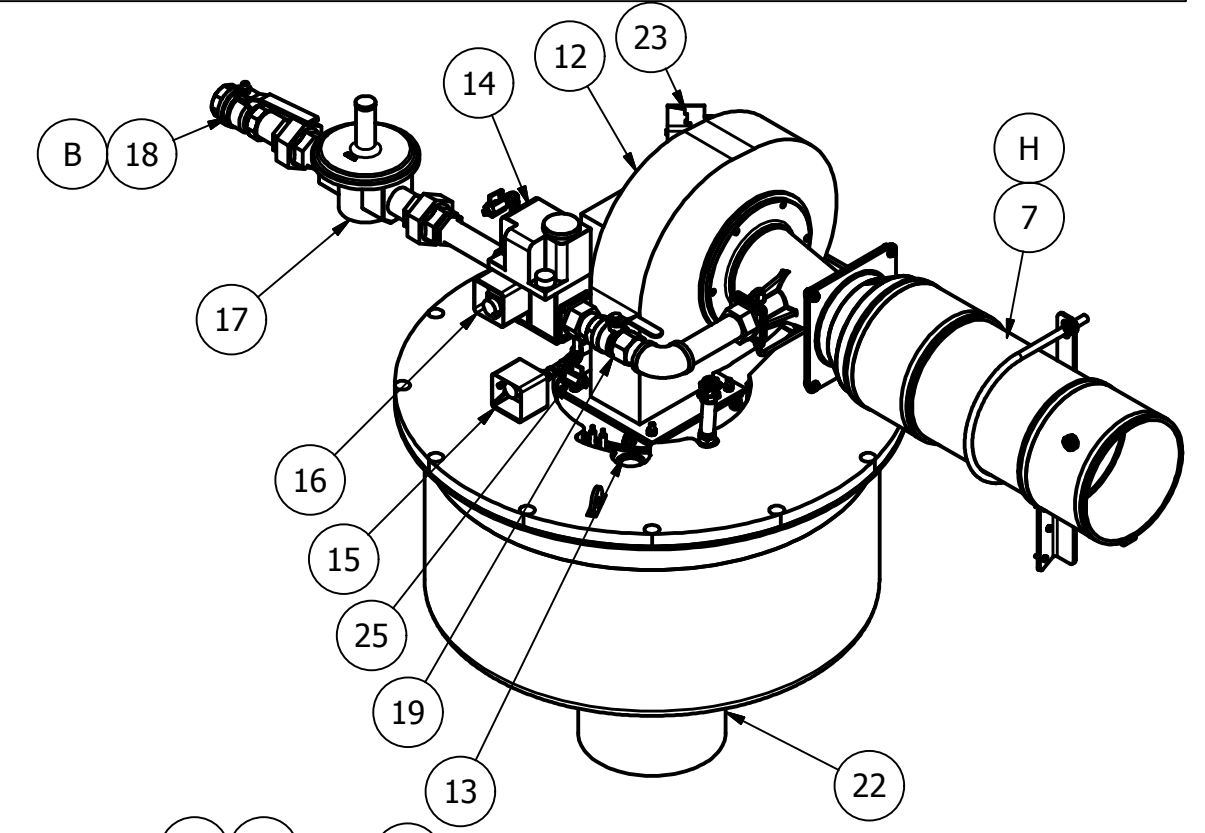
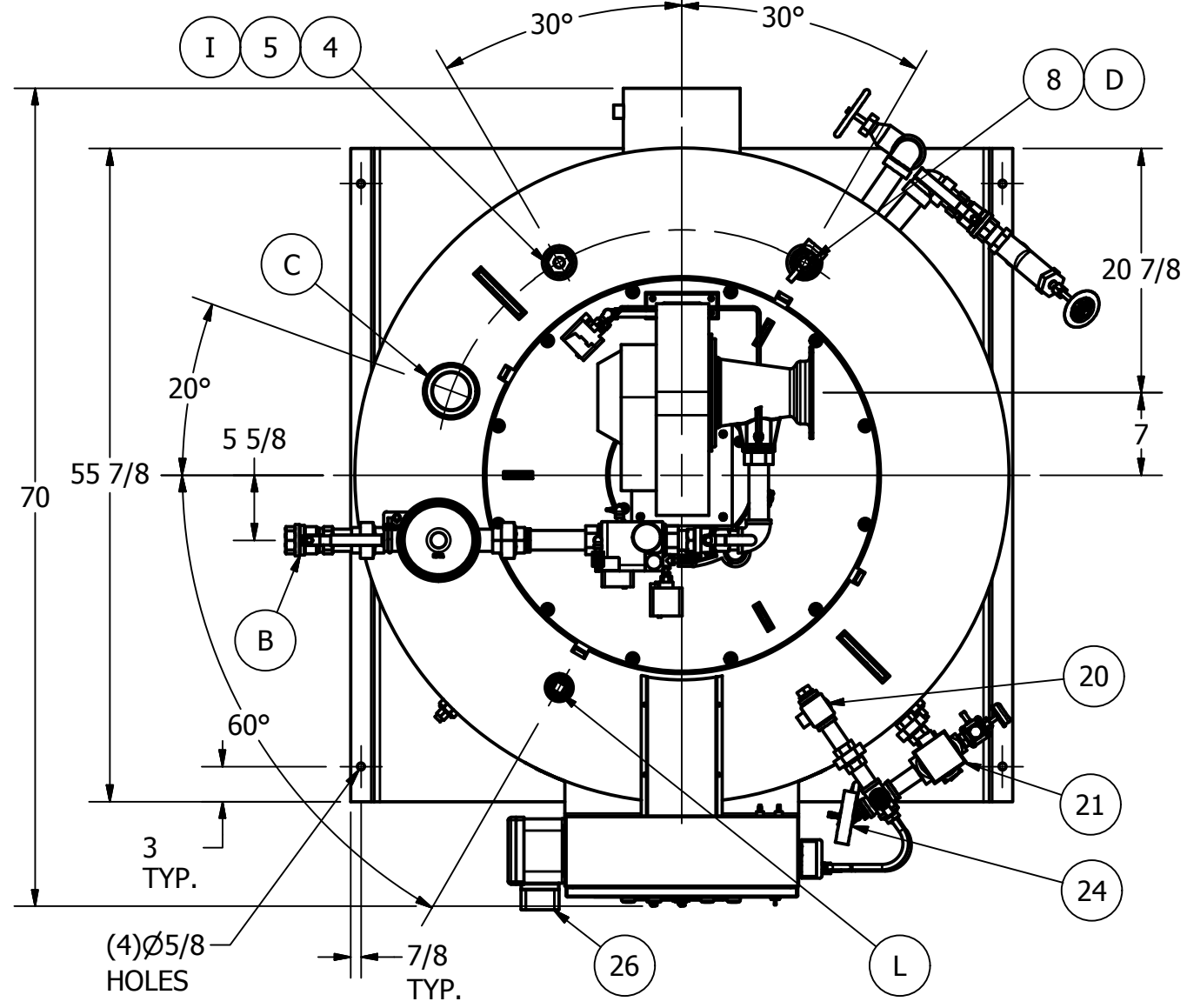
SHIPPING DATA	
BOILER SIZE:	70" L X 57" W X 100" H
BOILER WIEGHT:	5280 LBS

BOILER DATA	
FUEL:	NATURAL GAS
INPUT:	2066 MBH
OUTPUT:	1674 MBH
FIRESIDE HEATING SURFACE:	313 SQ.FT.
EXTENDED HEATING SURFACE:	278 SQ.FT.
BOILER HEATING SURFACE:	35 SQ.FT.
MINIMUM GAS PRESSURE REQUIRED:	9.5" W.C.
MAXIMUM GAS PRESSURE REQUIRED:	28" W.C.
VOLTAGE:	120/1/60

REVISIONS	EN#	DATE	CP	CP	CP	LS	LS	LS
			01	02/02/09				
			02	01/18/11				
			03	07/06/12				

WARNING: Changes, modifications or alterations are strictly prohibited. Changes to this drawing and subsequent modification of equipment could result in damage to the equipment and/or serious personal injury.

CAUTION
 Dimensions shown are approximate and should not be used in restrictive layouts or to prefabricate assemblies unless Cleaver-Brooks has been consulted. It is strongly recommended that the customer request as-built certified drawings for these cases.



ALL MATERIAL SIZES ON BILL OF MATERIAL ARE FOR REFERENCE ONLY. DRAWING DIMENSIONS MUST BE FOLLOWED.	
TOLERANCE, UNLESS OTHERWISE SPECIFIED:	
FRACTIONAL ±	DECIMAL ±
HOLE LOCATIONS ±	ANGLES ±
DRILLED, PUNCHED OR SLOTTED HOLES ±	
SIZE	SHT 1 OF 1
C	

DRAWN BY:	CP
CHECKED BY:	DJD
DATE:	1/22/2009
SCALE:	N.T.S.

CleaverBrooks®

DIMENSIONAL DIAGRAM
 50HP CFV, 150# ST.

DRWG. NO. 50HP CFV DD

REV 03

THIS DRAWING IS PROPERTY OF CLEAVER-BROOKS DIVISION AND IS NOT TO BE COPIED OR USED IN ANY WAY DETRIMENTAL TO THE COMPANY.