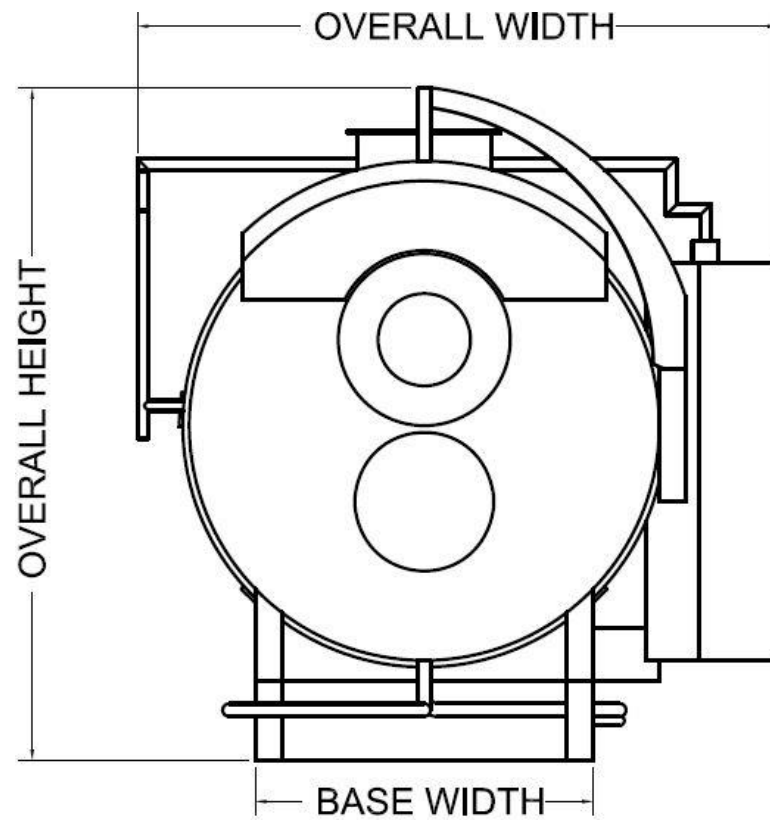
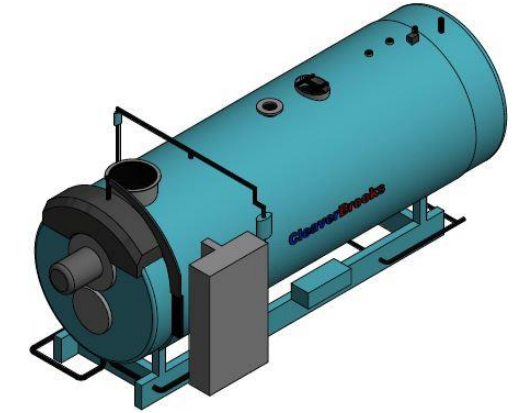
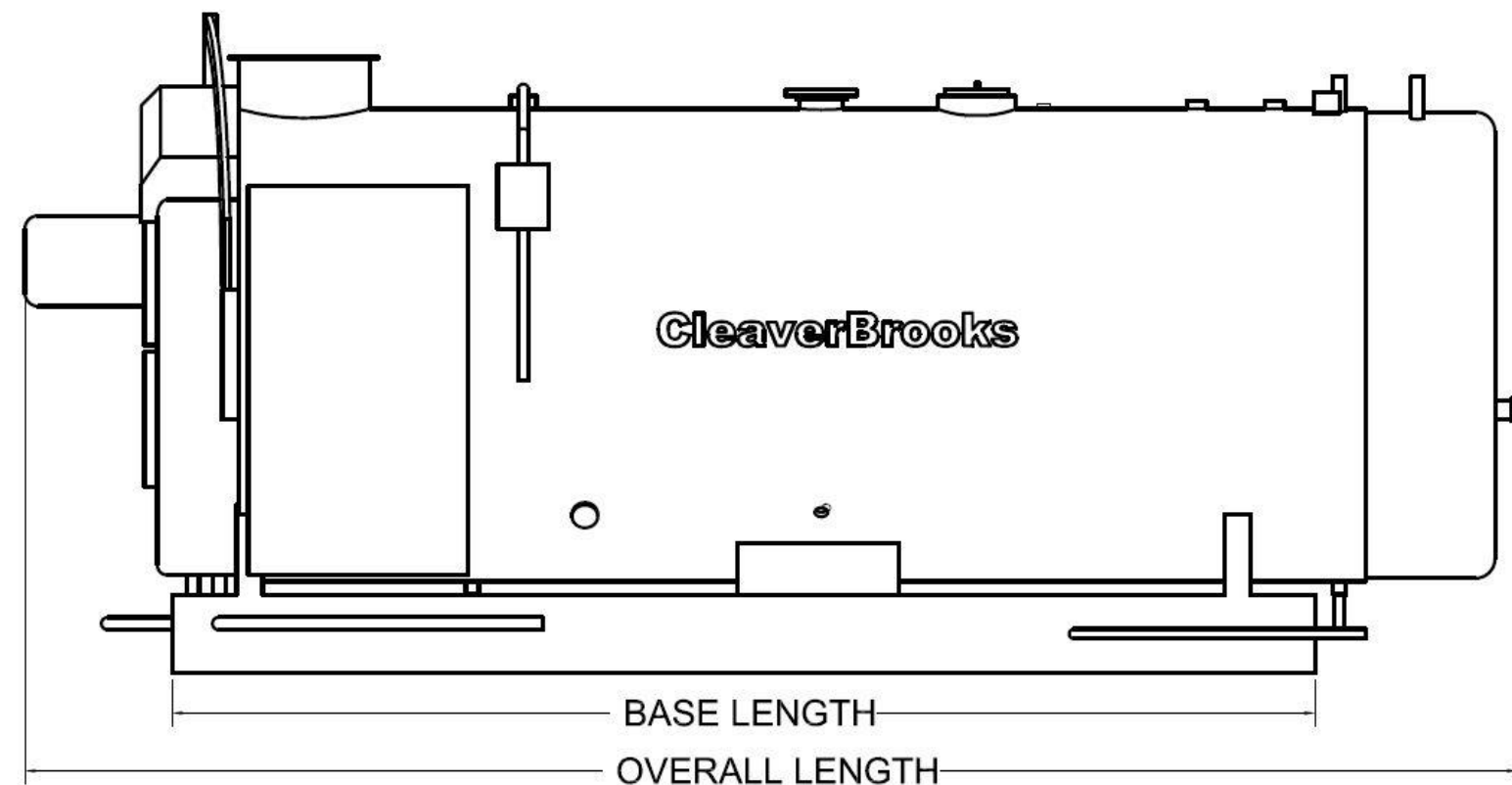


Boiler Horsepower:	250	300	350	400	500	600	700	800
<b>Dimensions [in.]</b>								
Overall Height:	103	103	103	115	118	118	118	118
Overall Width:	93.5	93.5	93.5	104	110	110	110.5	110.5
Overall Length:	230.5	241.5	253.5	259	261	288.5	290.5	300
Base Width:	51	51	51	64	60	60	60	60
Base Length:	176.5	185.5	195.5	200.5	196.5	221.5	223.5	232.5
<b>Power Ratings</b>								
Output Capacity [MBtu/hr]:	8,369	10,043	11,716	13,390	16,738	20,085	23,433	26,780
Blower Motor [HP]:	15	20	30	25	30	50	50	75
Oil Pump Motor (No. 2 Oil) [HP]:	1/2	3/4	3/4	3/4	3/4	3/4	1	1
Air Compressor Motor (Oil Firing) [HP]:	5	5	5	5	7.5	7.5	7.5	7.5
<b>Fuel Consumption Ratings (Approx.)</b>								
Light Oil (140 MBtu/gal.) [gph]:	73	87.5	102	116.5	146	175	204	233
Natural Gas (1 MBtu) [cfh]:	10,206	12,247	14,288	16,329	20,412	24,494	28,576	32,659
<b>Weights [lb]</b>								
Shipping Weight (Approx.):	17,960	18,540	23,970	24,710	29,300	30,900	38,500	39,450
Flooded Total Weight:	32,260	33,510	46,920	48,110	55,250	58,780	71,500	73,450
Operating Weight:	17,200	18,070	20,530	22,960	29,580	30,730	43,310	44,360



**FRONT VIEW**



**RIGHT SIDE VIEW**

**NOTE: All dimensions are approximate. Product data may vary based on application. Contact your local Cleaver-Brooks representative for additional information.**