

7

6

5

4

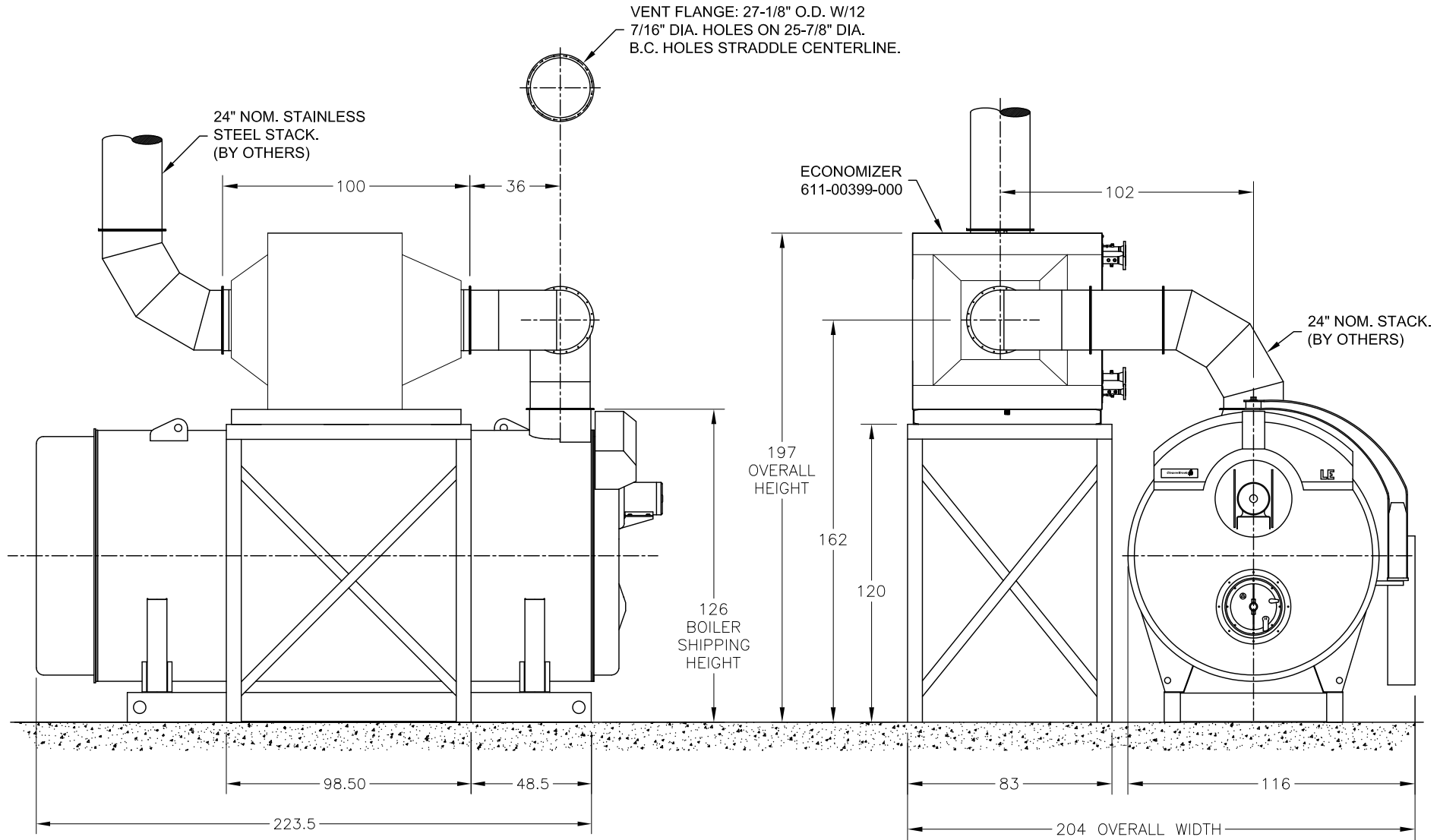
3

2

1

F
E
D
C
B
A

THIS DRAWING IS PROPERTY OF CLEAVER-BROOKS, INC. IT IS SUBJECT TO CHANGE WITHOUT NOTICE, AND IS NOT TO BE COPIED OR USED IN ANY WAY DETRIMENTAL TO THE COMPANY.



REVISIONS

SHT 01 OF 01

SCALE	N.T.S.
DATE	12/21/15
DRAWN	DJM
SIZE	C

CleaverBrooks®

GENERAL ARRANGEMENT

600HP CBLE & C2X-HE ECON

DRWG. NO. LE-600-GA 00

A