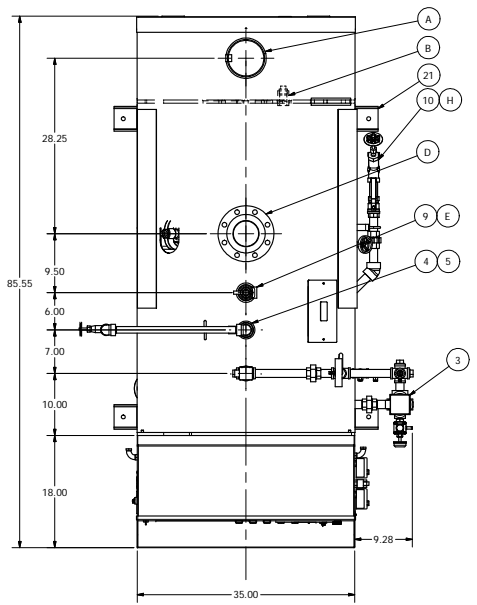


MAJOR COMPONENTS	
ITEM	DESCRIPTION
1	CONTROL PANEL W/FALCON
2	BURNER HOUSING DOOR
3	CONTROL PIPING C/W PRESSURE CONTROLS
4	SURFACE BLOWOFF PIPING (OPTIONAL)
5	COLLECTOR PIPE (OPTIONAL)
6	HANHOLES (3)
7	4.5/8" O.D. PIPE COMBUSTION AIR DIRECT VENT KIT (OPTIONAL)
8	AIR FILTER KIT (REMOVED WHEN COMBUSTION AIR DIRECT VENT SELECTED)
9	RELIEF VALVE, 1 1/4" INLET (SET @ 15#)
10	1" BLOWDOWN PIPING (OPTIONAL)
11	1" FEED WATER PIPING (OPTIONAL)
12	1" GAS TRAIN PIPING
13	BLOWER MOTOR, 115V 50/60HZ, 255W
14	BURNER SIGHT GLASS
15	VALVE, GAS 120VAC 1/2" NPT.
16	LOW GAS PRESSURE SWITCH
17	HIGH GAS PRESSURE SWITCH
18	GAS PRESSURE REGULATOR, MAXITROL #RV61
19	LEAKAGE TEST COCK (3)
20	1" BALL VALVES(2)
21	SEISMIC CLIPS (OPTIONAL)
22	BURNER CAN UNIT
23	COMBUSTION AIR PROVING SWITCH
24	LOW WATER AND PUMP CONTROL
25	AUX. LOW WATER CUT OFF
26	STEAM PRESSURE GAUGE

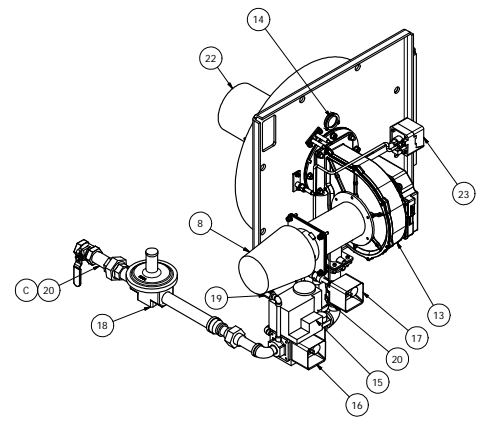
CUSTOMER CONNECTIONS	
ITEM	DESCRIPTION
A	6" STACK OUTLET
B	1" NPT. OVERFLOW (PLUGGED)
C	1" NPT. GAS SUPPLY
D	4" 150# R.F. FLANGE STEAM OUTLET
E	1 1/2" RELIEF VALVE OUTLET
F	1/2" CHEMICAL FEED
G	1" NPT. FEED WATER
H	1" NPT. BLOWDOWN
I	4" DIA COMB. AIR/DIRECT VENT
J	1" NPT. ALTERNATE FEED WATER
K	1/4" NPT. SURFACE BLOWOFF CONNECTION
L	1/2" NPT. SMOKEBOX CONDENSATE DRAIN (PLUGGED)
M	3/4" WATER COLUMN DRAIN
N	1/4" NPT. GAUGE GLASS DRAIN
O	1" NPT. SPARE CONNECTION

SHIPPING DATA	
BOILER SIZE: 36.71" x 54.38" W x 53.75" H	
BOILER DRY WEIGHT: 2300 LBS.	

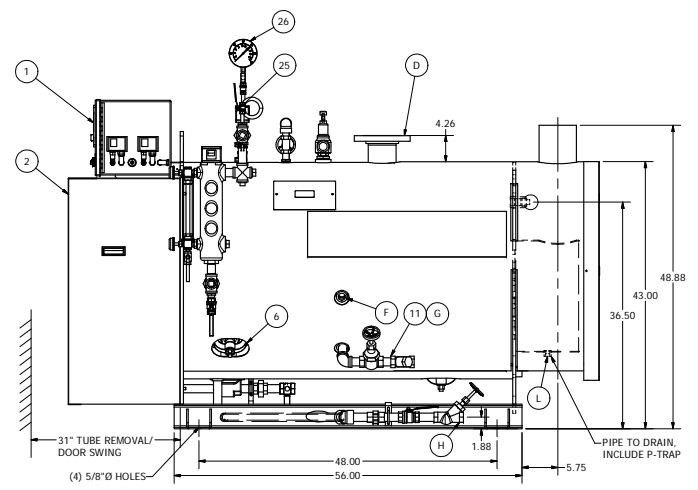
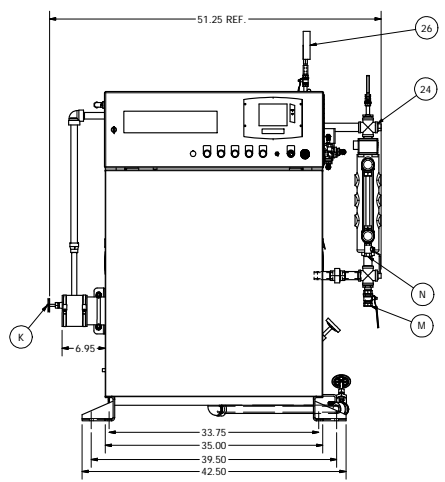
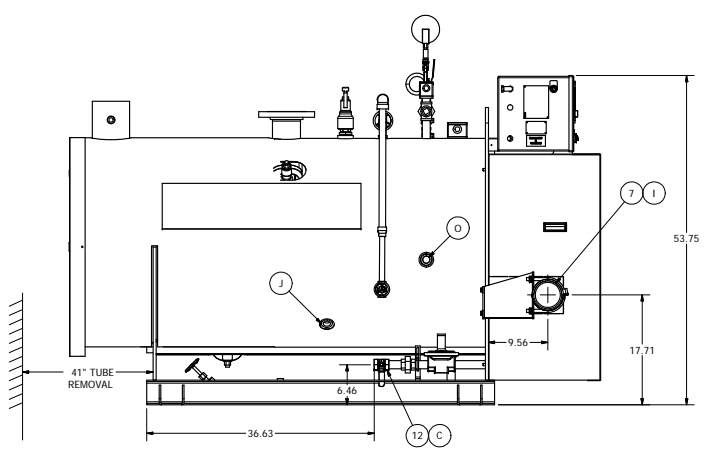
BOILER DATA	
INPUT: 335 MBH	
FIRESIDE HEATING SURFACE: 122 SQ. FT.	
BOILER HEATING SURFACE: 13 SQ. FT.	
EXTENDED HEATING SURFACE: 109 SQ. FT.	
MINIMUM GAS PRESSURE REQUIRED: 7.2" W.C.	
MAXIMUM GAS PRESSURE REQUIRED: 28" W.C.	
VOLTAGE: 120/160	
BOILER WATER VOLUME: NORMAL @ 110 GAL.	



CAUTION
 Dimensions shown are approximate and should not be used in restrictive layouts or to prefabricate assemblies unless Cleaver-Brooks has been consulted. It is strongly recommended that the customer request as-built certified drawings for these cases.



- NOTES:**
1. BOILER IS DESIGNED AND CONSTRUCTED IN ACCORDANCE WITH THE ASME BOILER AND PRESSURE VESSEL CODE: SECTION IV.
 2. BOILER HAS 2" BLANKET INSULATION, COVERED WITH SECTIONAL WHITE POWDER COATED SHEET METAL LAGGING.
 3. ASME CSD-1 COMPLIANT.
 4. UNIT IS FACTORY FIRE TESTED.
 5. BURNER IS FULLY MODULATING WITH 4:1 TURN DOWN.
 6. ALL NORMALLY UNUSED FITTINGS ARE CAPPED OR PLUGGED.



REVISIONS	
EN#	DATE
01	10/21/09
02	10/05/11

CP
 SHOW NEW PANEL
 CP
 MATCH BOILER BOOK

WARNING: Changes, modifications or alterations are strictly prohibited. Changes to this drawing and subsequent modification of equipment could result in damage to the equipment and/or serious personal injury.

ALL MATERIAL SIZES ON BILL OF MATERIAL ARE FOR REFERENCE ONLY. DRAWING DIMENSIONS MUST BE FOLLOWED.	
FRACTIONAL	DECIMAL
HOLE LOCATIONS	ANGLES
DRILLED, PUNCHED OR SLOTTED HOLES	
DATE: 28/09/2007	SCALE: AS SHOWN
SHT 1 OF 1	

CleaverBrooks®
 DIMENSIONAL DIAGRAM
 10HP CFH, 15# STEAM
 N.T.S. DRWG. NO. CFH 10HP REV 02

THIS DRAWING IS PROPERTY OF CLEAVER-BROOKS DIVISION. IT IS SUBJECT TO CHANGE WITHOUT NOTICE, AND IS NOT TO BE COPIED OR USED IN ANYWAY DETRIMENTAL TO THE COMPANY.