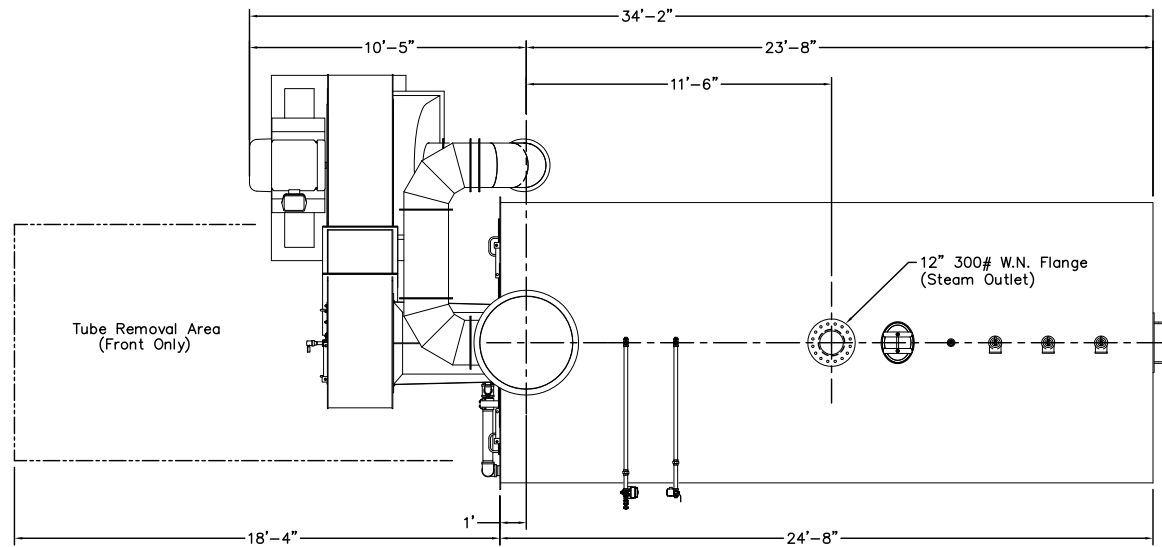
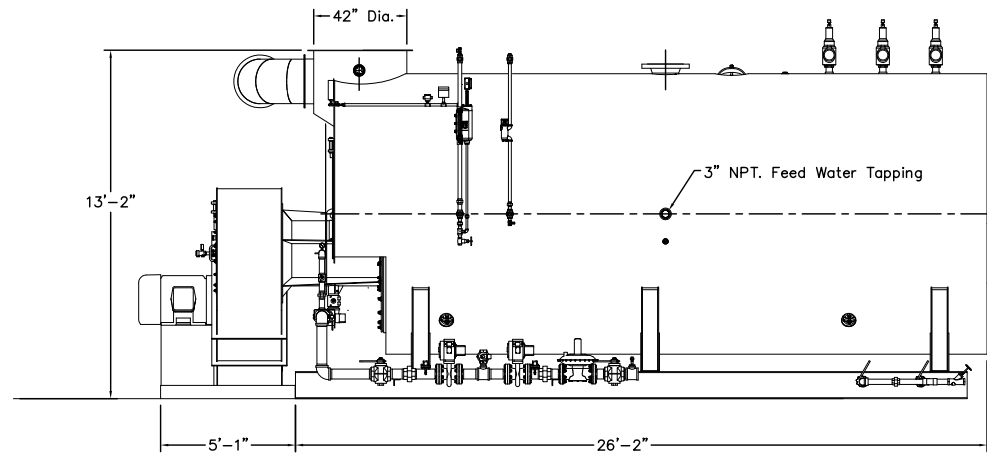
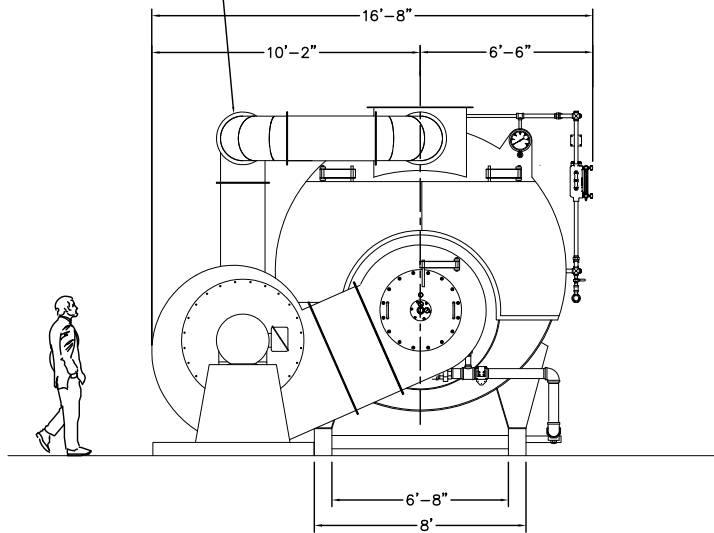


Boiler Shipping Weight: 72,700#  
 Burner Shipping Weight: 10,800#  
 Boiler Operating Weight: 135,900#



FGR Duct (Not Required for Uncontrolled NOx Systems)



REVISIONS

EN#	DATE	BY	REVISED
01	04/25/11	DJM	REVISED TITLEBLOCK

ALL MATERIAL SIZES ON BILL OF MATERIAL ARE FOR REFERENCE ONLY. DRAWING DIMENSIONS MUST BE FOLLOWED. TOLERANCE, UNLESS OTHERWISE SPECIFIED:  
 FRACTIONAL ± DECIMAL ±  
 HOLE LOCATIONS ± ANGLES ±  
 DRILLED, PUNCHED OR SLOTTED HOLES ± .010

SHT 01 OF 01

SCALE	N.T.S.
DATE	11/23/10
DRAWN	DJM
SIZE	C

**CleaverBrooks**  
 GENERAL ARRANGEMENT,  
 CBEX ELITE, 1600HP 150# ST  
 DRWG. NO. 722-07022-000 01

F  
E  
D  
C  
B