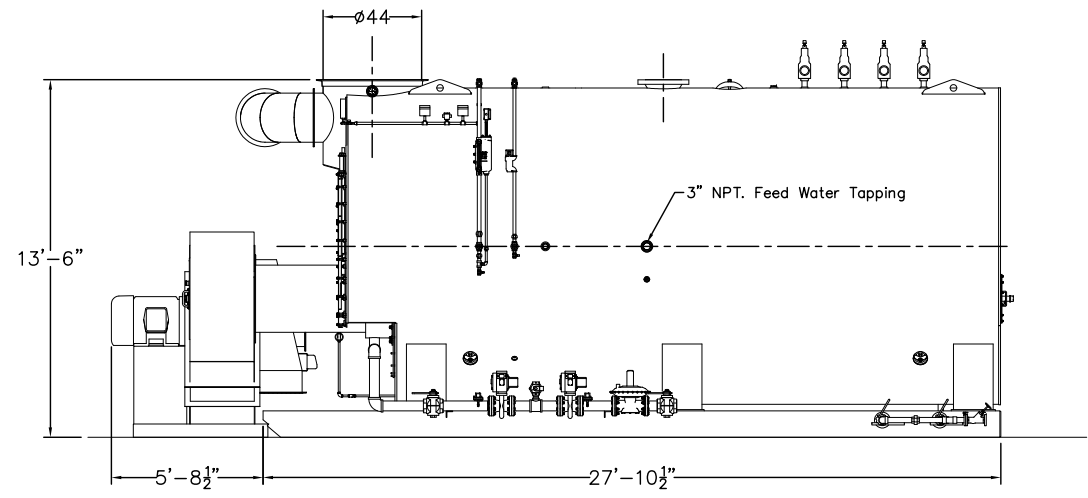
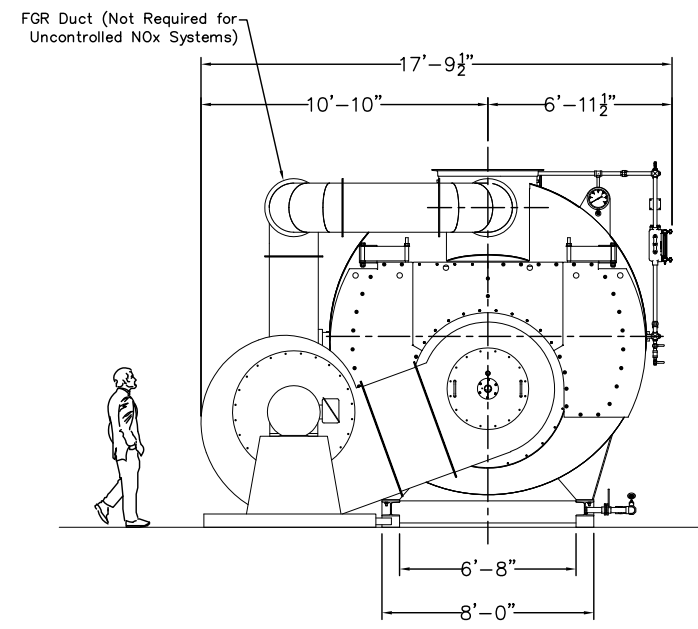
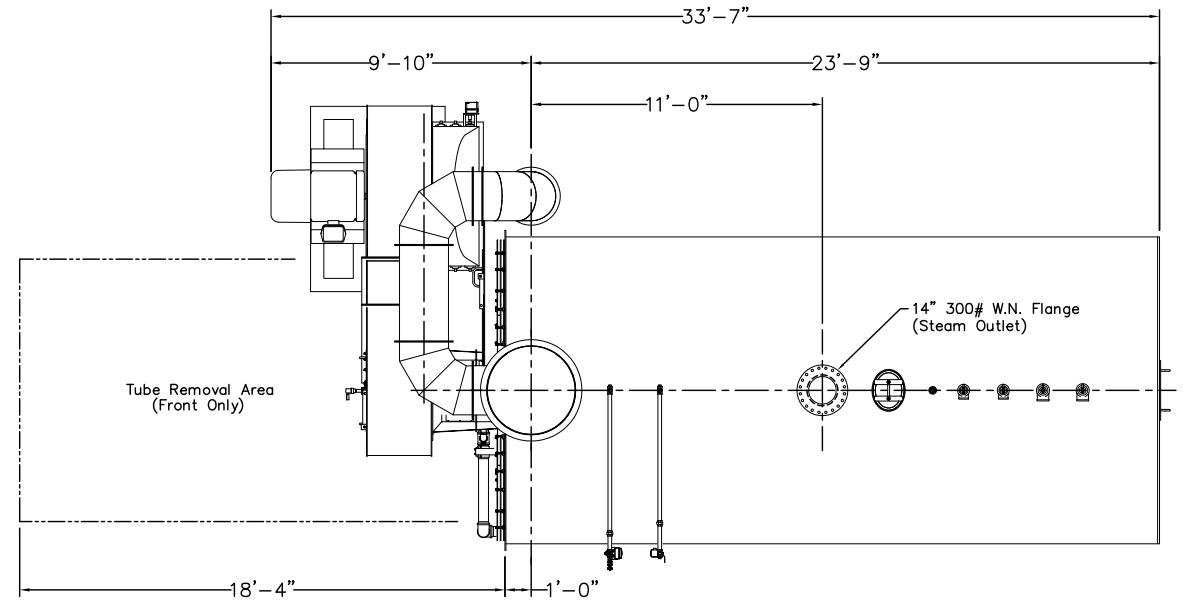


Boiler Shipping Weight: 84,900#
 Burner Shipping Weight: 11,600#
 Total Operating Weight: 159,500#



L
L
E
D
C
B

THIS DRAWING IS PROPERTY OF CLEAVER-BROOKS, INC. IT IS SUBJECT TO CHANGE WITHOUT NOTICE, AND IS NOT TO BE COPIED OR USED IN ANY WAY DETRIMENTAL TO THE COMPANY.

REVISIONS	EN#	
	DATE	
	01/04/25/11	DJM
		REVISED TITLEBLOCK

ALL MATERIAL SIZES ON BILL OF MATERIAL ARE FOR REFERENCE ONLY. DRAWING DIMENSIONS MUST BE FOLLOWED. TOLERANCE, UNLESS OTHERWISE SPECIFIED:
 FRACTIONAL ± DECIMAL ±
 HOLE LOCATIONS ± ANGLES ±
 DRILLED, PUNCHED OR SLOTTED HOLES ± .010

SHT 01 OF 01

SCALE	N.T.S.
DATE	11/22/10
DRAWN	DJM
SIZE	C

CleaverBrooks
 GENERAL ARRANGEMENT,
 CBEX ELITE, 2000HP 150#ST
 DRWG. NO. 722-07020-000 01