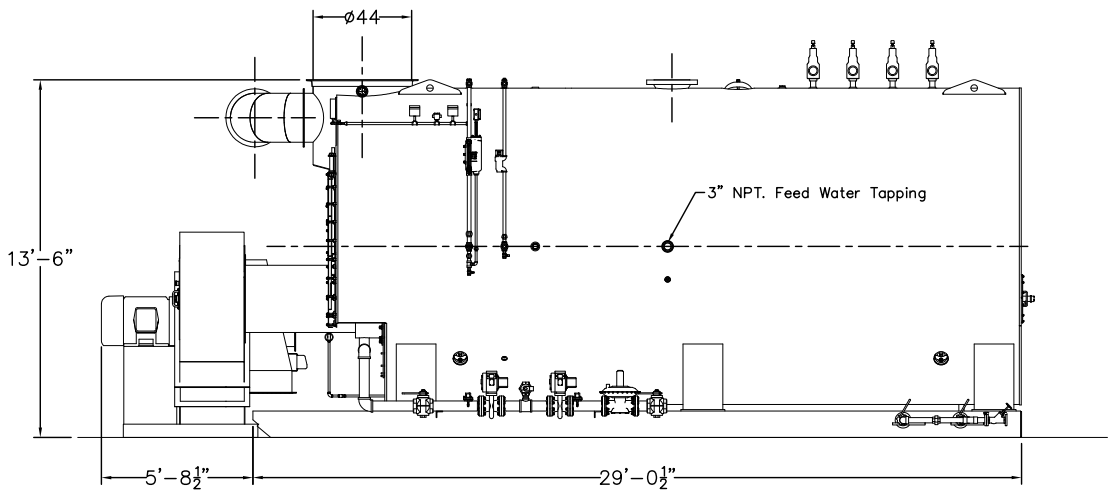
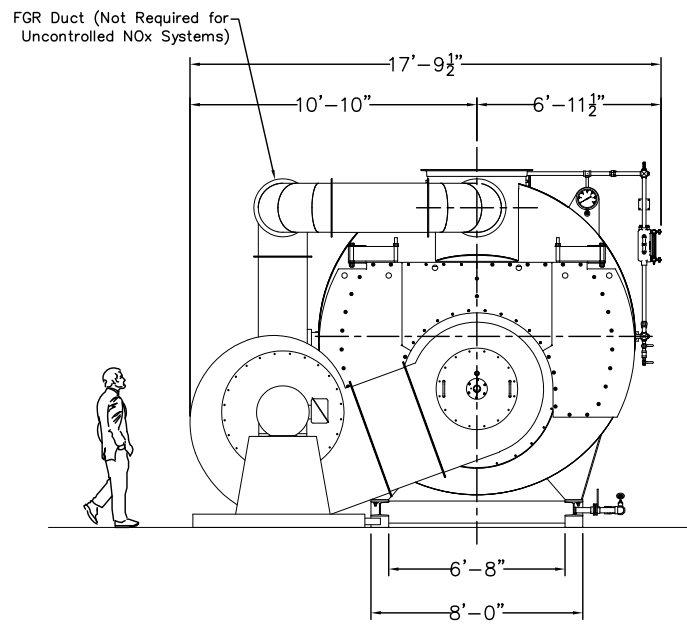
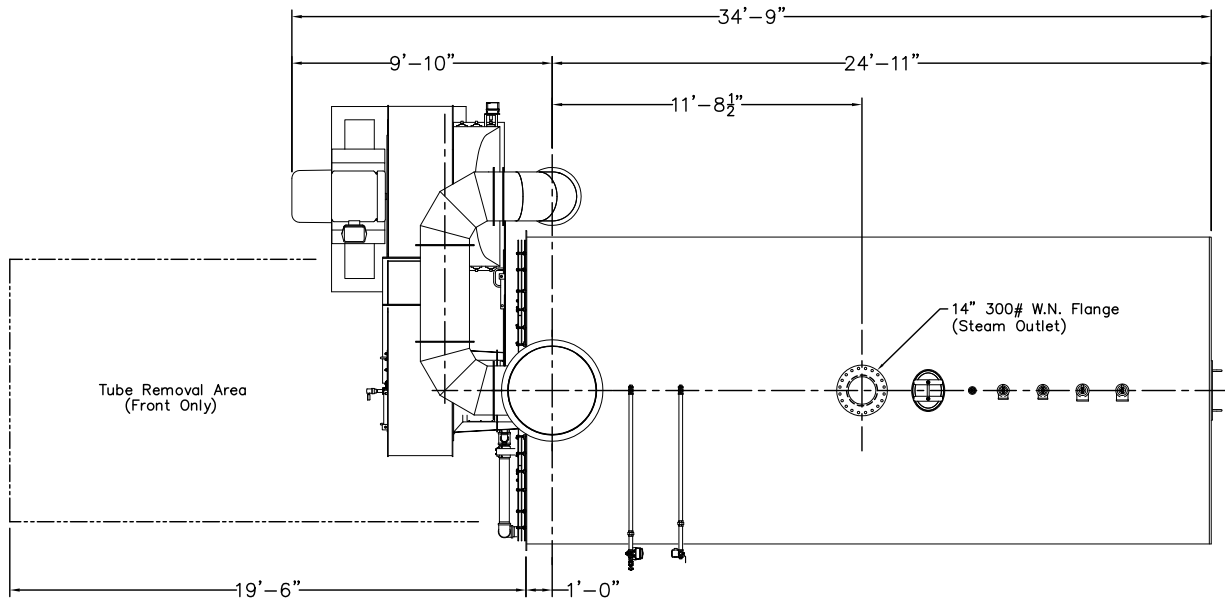


Boiler Shipping Weight: 91,300#
 Burner Shipping Weight: 11,600#
 Total Operating Weight: 167,200#



THIS DRAWING IS PROPERTY OF CLEAVER-BROOKS, INC. IT IS SUBJECT TO CHANGE WITHOUT NOTICE, AND IS NOT TO BE COPIED OR USED IN ANY WAY DETRIMENTAL TO THE COMPANY.

REVISIONS	EN#		SCALE	N.T.S.	CleaverBrooks GENERAL ARRANGEMENT CBEX ELITE, 2200HP 150#ST DRWG. NO. 722-07019-000 01
	DATE		DATE	11/22/10	
	01/04/25/11	DJM	DRAWN	DJM	
		REVISED	TITLEBLOCK		
			ALL MATERIAL SIZES ON BILL OF MATERIAL ARE FOR REFERENCE ONLY. DRAWING DIMENSIONS MUST BE FOLLOWED. TOLERANCE, UNLESS OTHERWISE SPECIFIED: FRACTIONAL ± DECIMAL ± HOLE LOCATIONS ± ANGLES ± DRILLED, PUNCHED OR SLOTTED HOLES ± .010		SHT 01 OF 01

L
L
E
D
C
B