

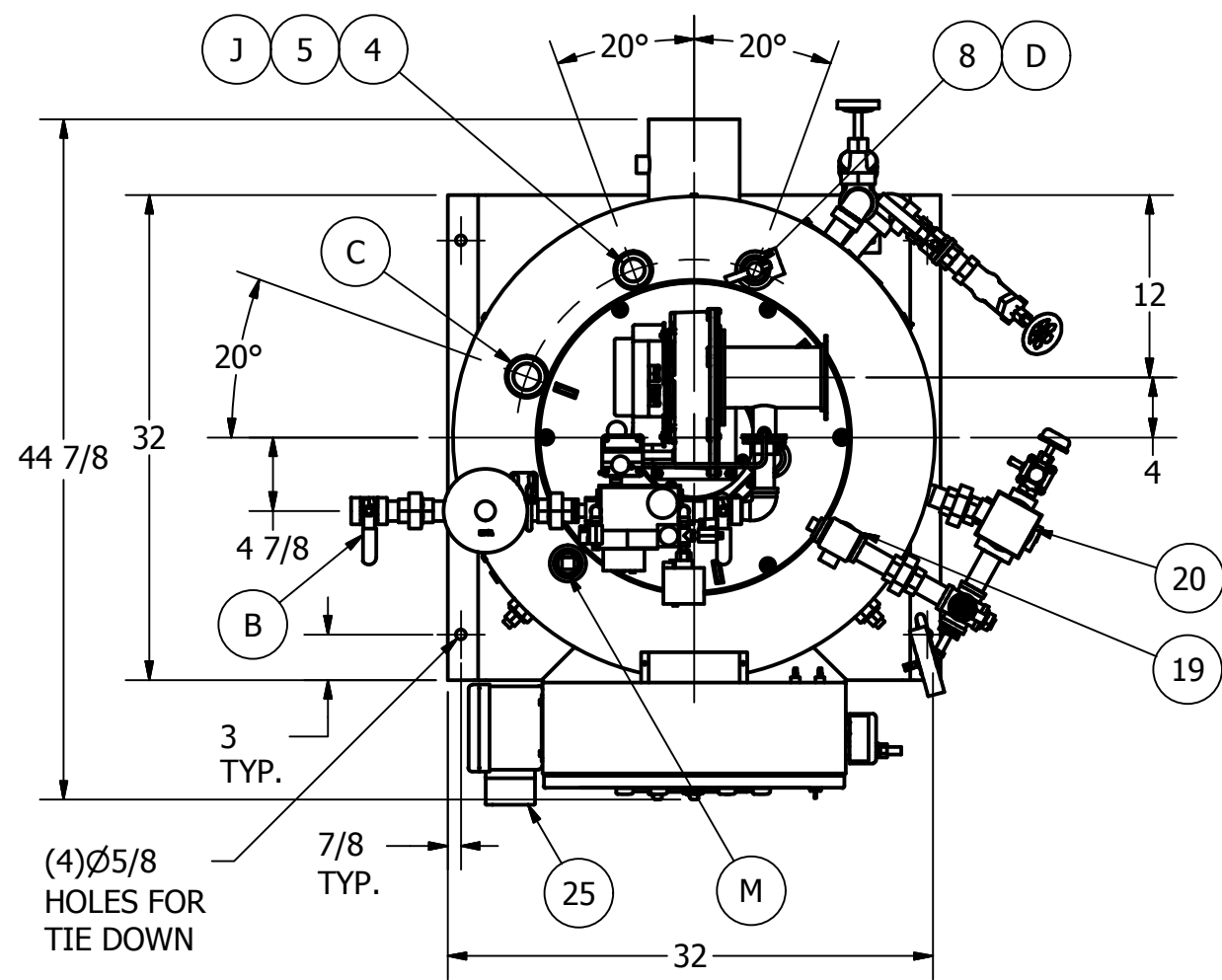
ITEM	DESCRIPTION
1	CONTROL PANEL
2	BURNER HOUSING COVER
3	CONTROL/TRIM PIPING
4	SURFACE BLOWOFF PIPING (OPTIONAL)
5	COLLECTOR PIPE (OPTIONAL)
6	HANDHOLES (4)
7	4 1/2" O.D. PIPE COMBUSTION AIR DIRECT VENT KIT. (OPTIONAL)
8	RELIEF VALVE, 1/2" INLET (SET @ 150#)
9	1" BLOWDOWN PIPING (OPTIONAL)
10	1" FEEDWATER PIPING (OPTIONAL)
11	1" GAS TRAIN PIPING
12	BLOWER MOTOR, 115V 50/60HZ, 335 W
13	BURNER SIGHT GLASS
14	VALVE, GAS 120VAC 1/2" NPT.
15	LOW GAS PRESSURE SWITCH
16	HIGH GAS PRESSURE SWITCH
17	GAS PRESSURE REGULATOR, MAXITROL RV#61
18	1" BALL VALVE (2)
19	AUX. LOW WATER CUT OFF PROBE HOLDER
20	LOW WATER AND PUMP CONTROL
21	BURNER CAN UNIT
22	COMBUSTION AIR PROVING SWITCH
23	STEAM PRESSURE GAUGE
24	LEAKAGE TEST COCKS (3)
25	CHEMICAL FEED PUMP

- NOTES:**
1. BOILER IS DESIGNED AND CONSTRUCTED IN ACCORDANCE WITH THE ASME BOILER AND PRESSURE VESSEL CODE: SECTION I.
  2. BOILER HAS 2" BLANKET INSULATION, COVERED WITH SECTIONAL STAINLESS STEEL SHEET METAL LAGGING.
  3. ASME CSD-1 COMPLIANT.
  4. UNIT IS FACTORY FIRE TESTED.
  5. BURNER IS FULLY MODULATING WITH 4:1 TURN DOWN.

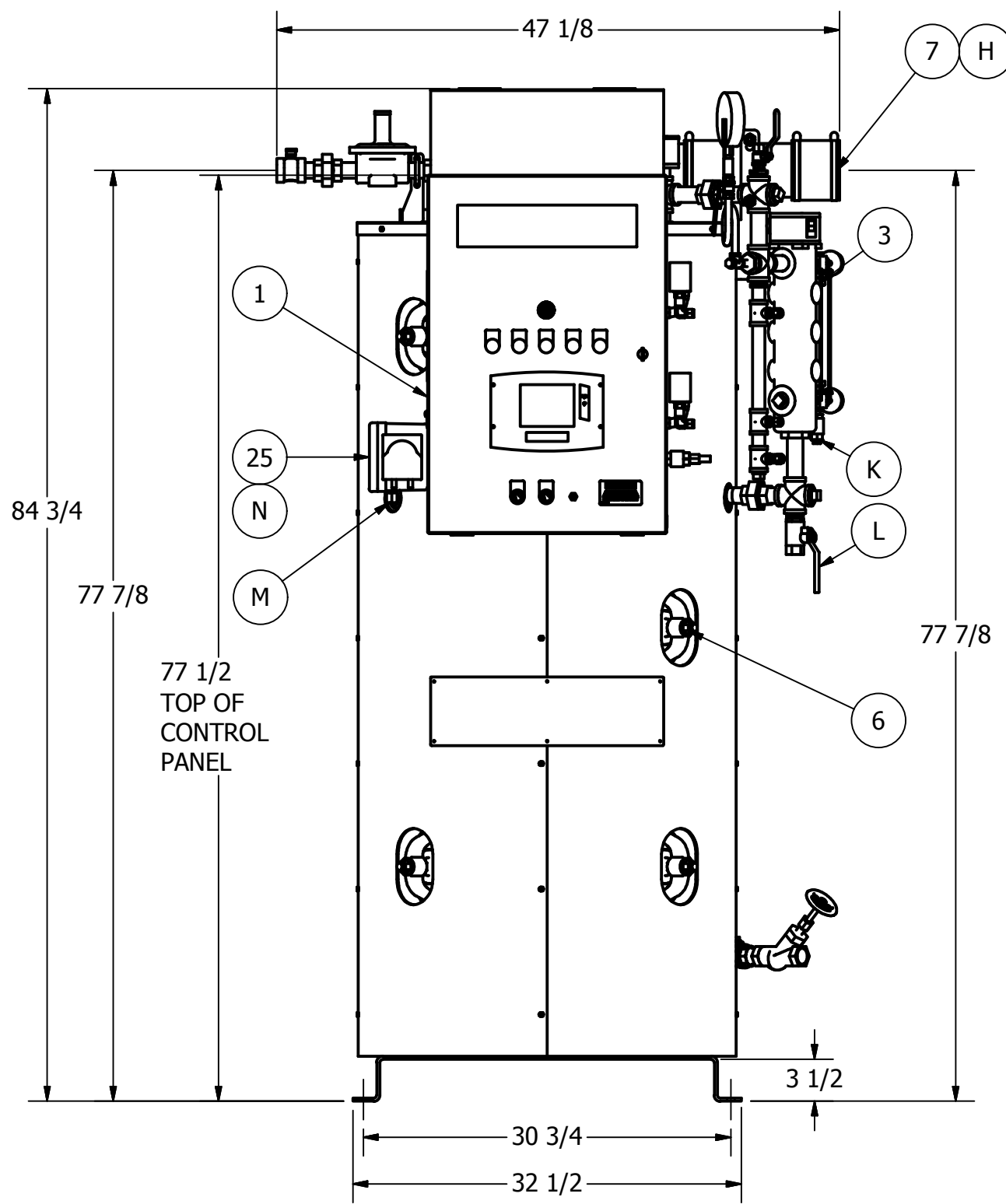
ITEM	CONNECTIONS:
A	6" STACK OUTLET
B	1" NPT. GAS SUPPLY
C	1 1/2" NPT STEAM OUTLET
D	3/4" NPT. RELIEF VALVE OUTLET
E	1/2" NPT. CONDENSATE DRAIN & O2 SAMPLE
F	1" NPT. FEED WATER
G	1" BLOWDOWN
H	4" DIA. COMB. AIR/DIRECT VENT
J	1 1/4" SURFACE BLOWOFF CONNECTION
K	1/4" NPT. GAUGE GLASS DRAIN
L	3/4" NPT. WATER COLUMN DRAIN
M	1" OPTIONAL ALWCO(2)
N	1/4" I.D. CHEMICAL FEED INLET & OUTLET

SHIPPING DATA	
BOILER SIZE: 45" L X 32 1/2" W X 84 3/4" H	
BOILER WIEGHT: 1950 LBS	

BOILER DATA	
FUEL: NATURAL GAS	
INPUT: 393 MBH	
OUTPUT: 318 MBH	
FIRESIDE HEATING SURFACE: 65 SQ.FT.	
EXTENDED HEATING SURFACE: 53 SQ.FT.	
BOILER HEATING SURFACE: 12 SQ.FT.	
MINIMUM GAS PRESSURE REQUIRED: 7.2" W.C.	
MAXIMUM GAS PRESSURE REQUIRED: 28" W.C.	
VOLTAGE: 120/1/60	

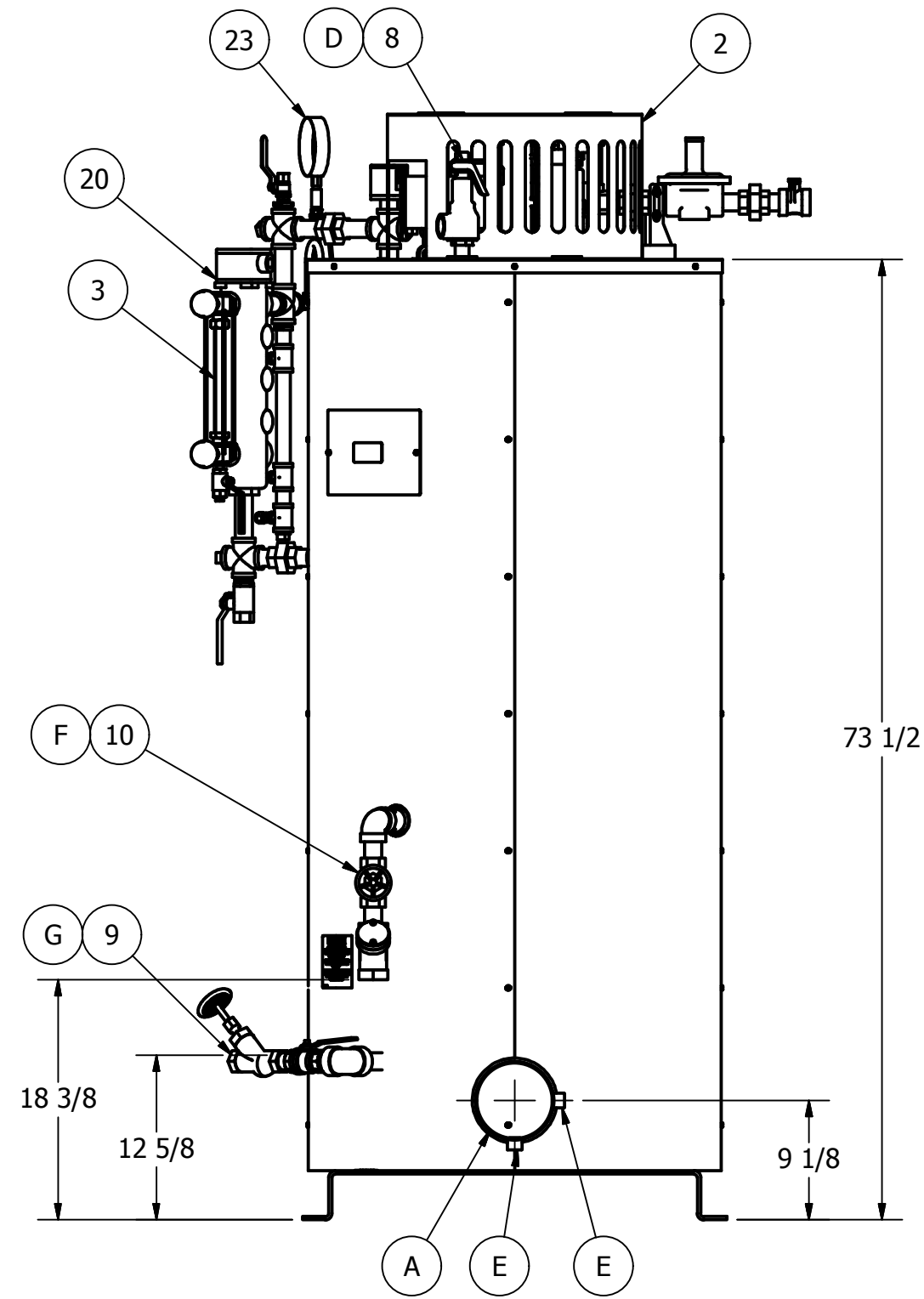
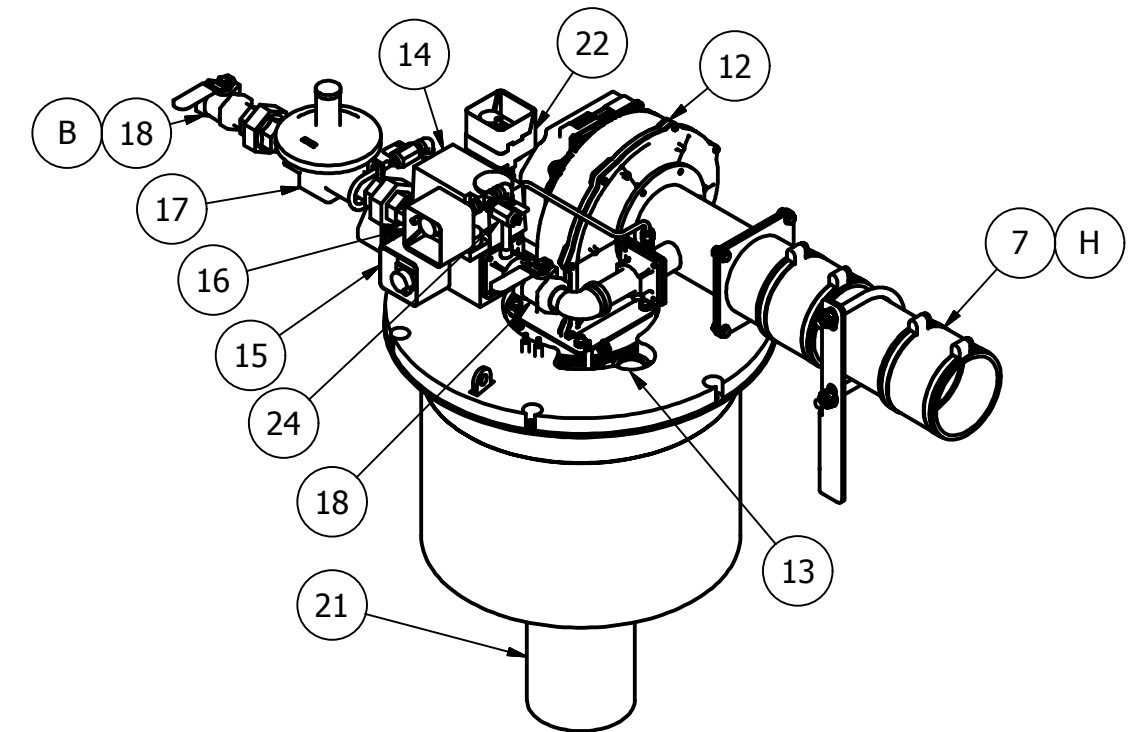


PLAN VIEW



FRONT VIEW

**CAUTION**  
 Dimensions shown are approximate and should not be used in restrictive layouts or to prefabricate assemblies unless Cleaver-Brooks has been consulted. It is strongly recommended that the customer request as-built certified drawings for these cases.



REAR VIEW

REVISIONS	EN#	DATE

**WARNING:** Changes, modifications or alterations are strictly prohibited. Changes to this drawing and subsequent modification of equipment could result in damage to the equipment and/or serious personal injury.

ALL MATERIAL SIZES ON BILL OF MATERIAL ARE FOR REFERENCE ONLY. DRAWING DIMENSIONS MUST BE FOLLOWED.

TOLERANCE, UNLESS OTHERWISE SPECIFIED:  
 FRACTIONAL ± DECIMAL ±  
 HOLE LOCATIONS ± ANGLES ±  
 DRILLED, PUNCHED OR SLOTTED HOLES ±

SIZE C SHT 1 OF 1

DRAWN BY: LS  
 CHECKED BY: DJM  
 DATE: 3/19/2012  
 SCALE: N.T.S.

**CleaverBrooks®**

DIMENSIONAL DIAGRAM  
 9.5HP CFV, 150# STEAM

DRWG. NO. 9.5HP CFV DD REV 00

THIS DRAWING IS PROPERTY OF CLEAVER-BROOKS DIVISION IT IS SUBJECT TO CHANGE WITHOUT NOTICE, AND IS NOT TO BE COPIED OR USED IN ANY WAY DETRIMENTAL TO THE COMPANY.