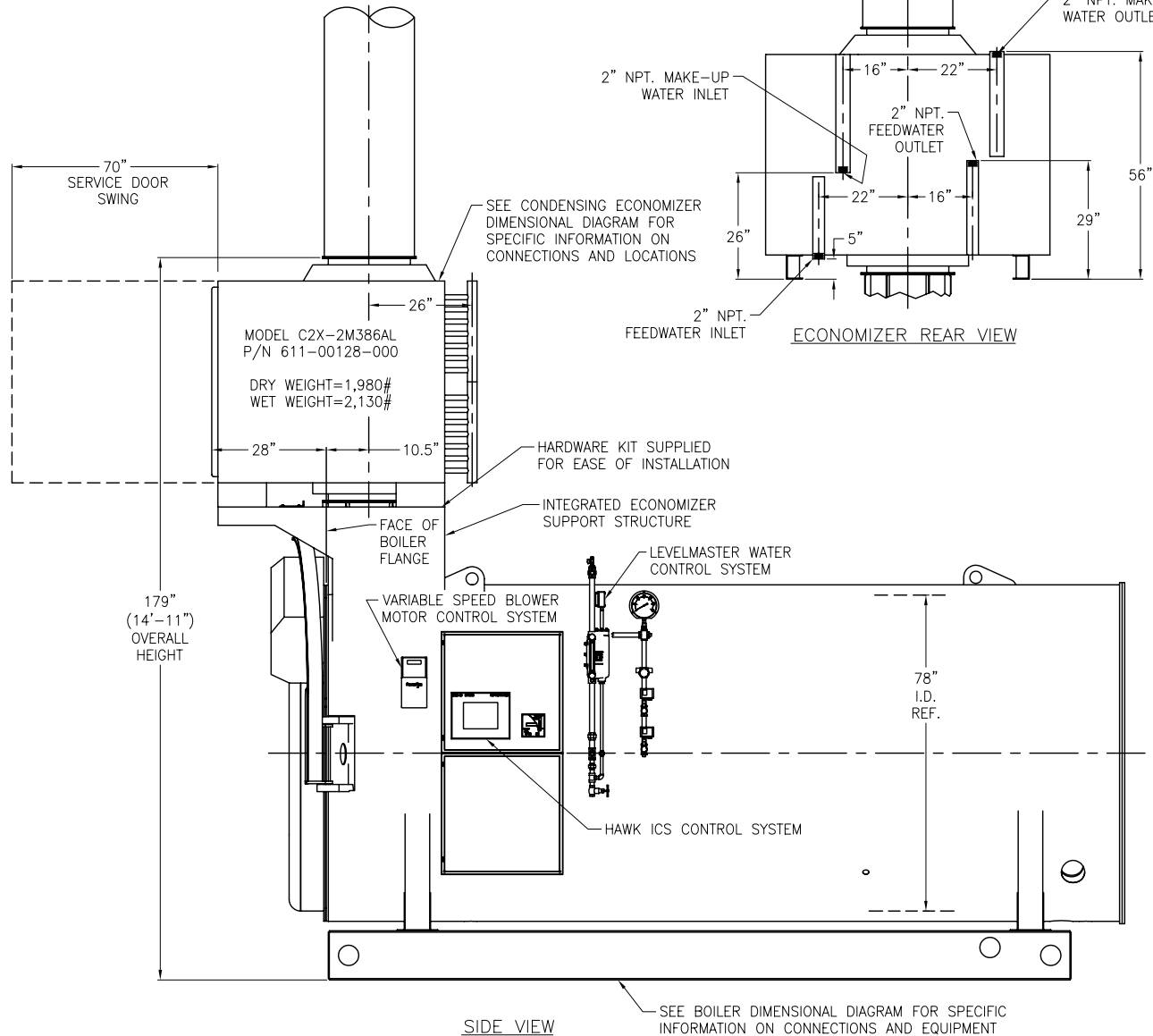
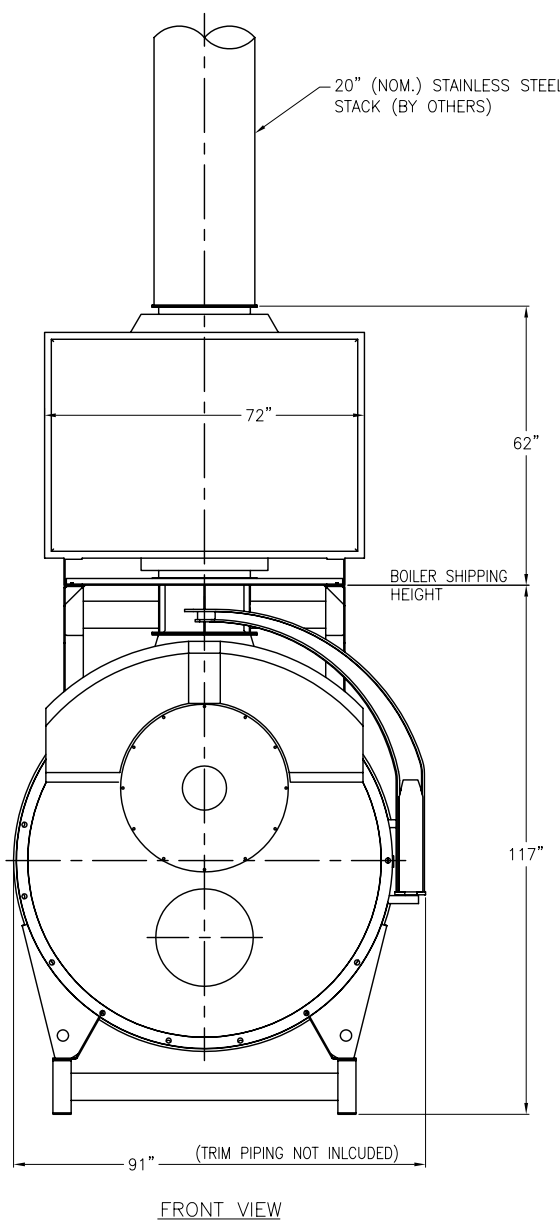


THIS DRAWING IS PROPERTY OF CLEAVER-BROOKS, INC. IT IS SUBJECT TO CHANGE WITHOUT NOTICE, AND IS NOT TO BE COPIED OR USED IN ANY WAY DETRIMENTAL TO THE COMPANY.

7 | 6 | 5 | 4 | 3 | 2 | 1



F
E
D
C
B
A

REVISIONS	

JOB:
CITY:

SHT 01 OF 01

SCALE
N.T.S.
DATE
08/07/08
DRAWN
DJM
SIZE
C

CLEAVER-BROOKS
The power of commitment.

GENERAL ARRANGMENT, 300HP 4WI
BOILER & CONDENSING ECONOMIZER

DRWG. NO. 300-4WI-GA 00