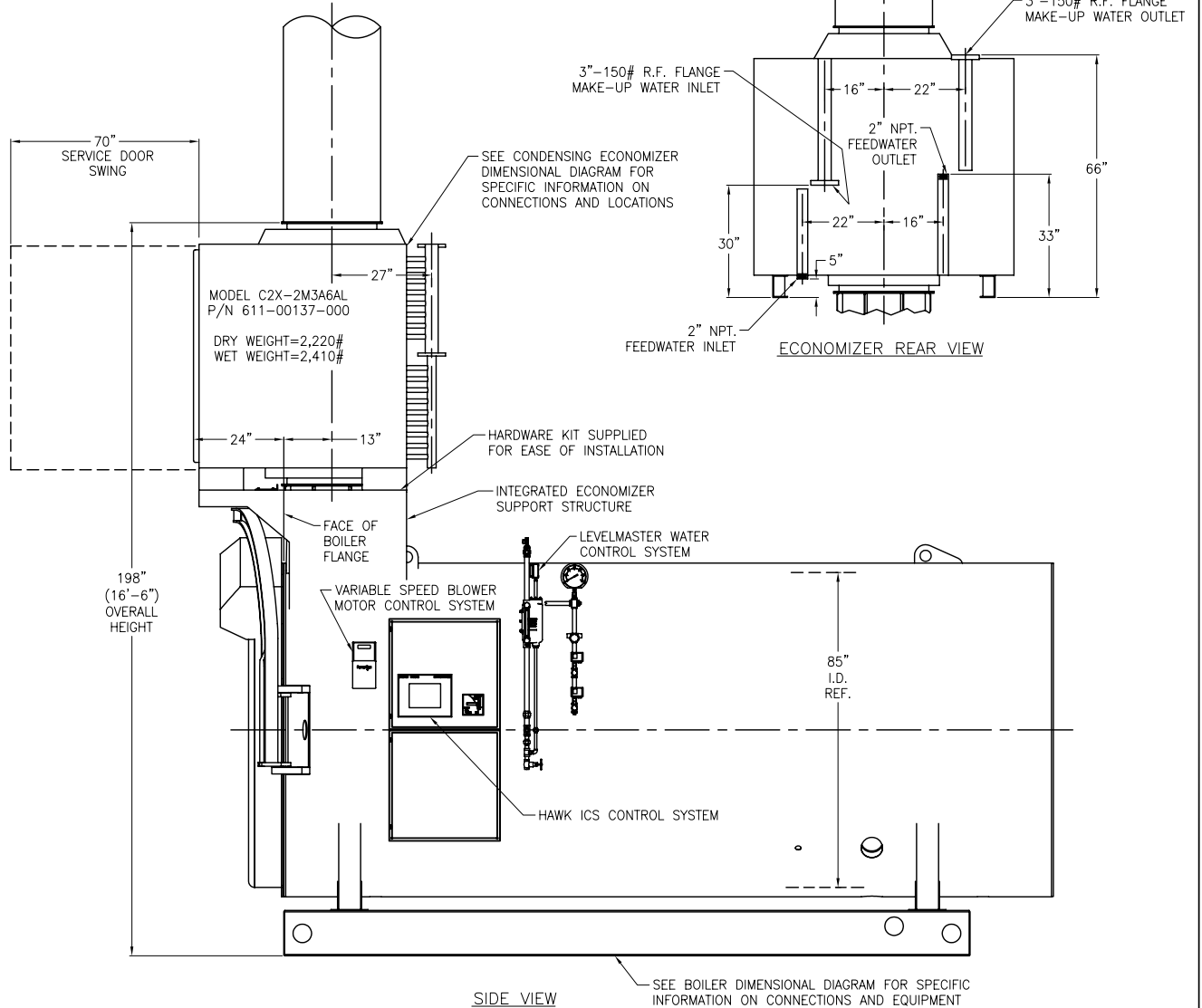
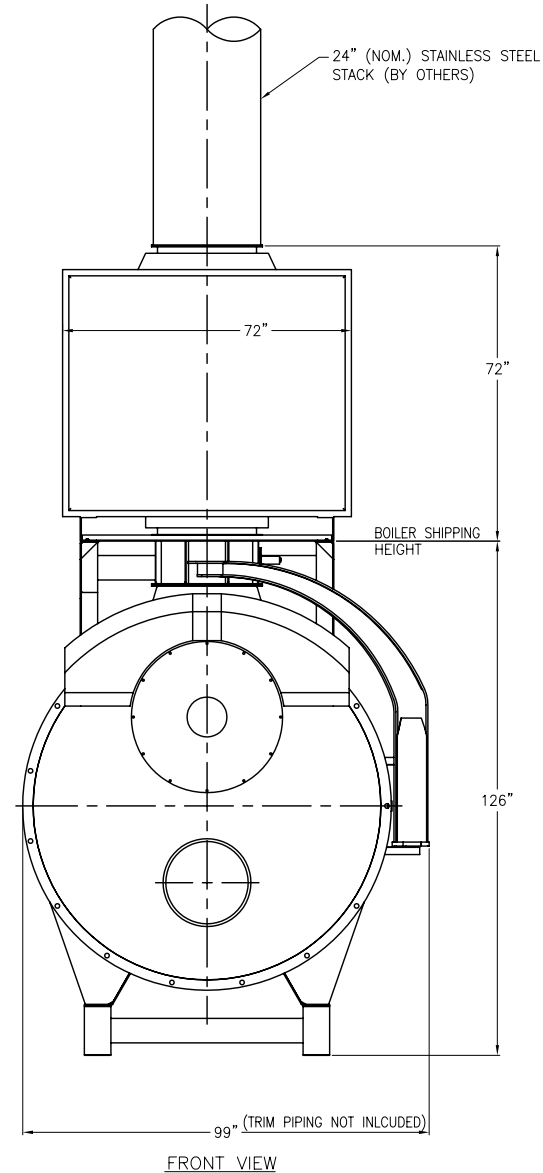


IT IS SUBJECT TO CHANGE WITHOUT NOTICE, AND IS NOT TO BE COPIED OR USED IN ANY WAY DETRIMENTAL TO THE COMPANY.



REVISIONS	

JOB:	
CITY:	
SHT 01 OF 01	

SCALE	N.T.S.
DATE	08/07/08
DRAWN	DJM
SIZE	C

<p>The power of commitment.™</p>	
GENERAL ARRANGMENT, 400HP 4WI BOILER & CONDENSING ECONOMIZER	
DRWG. NO. 400-4WI-GA	00

7 | 6 | 5 | 4 | 3 | 2 | 1

F | E | D | C | B | A