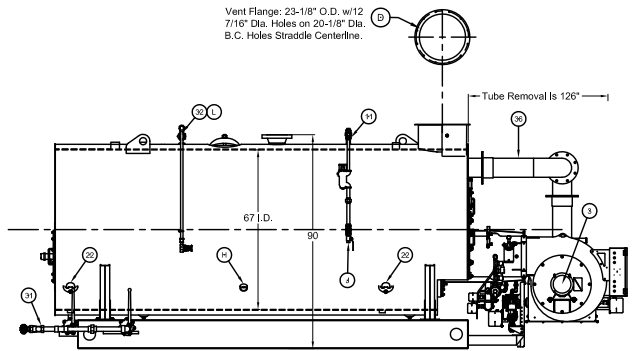


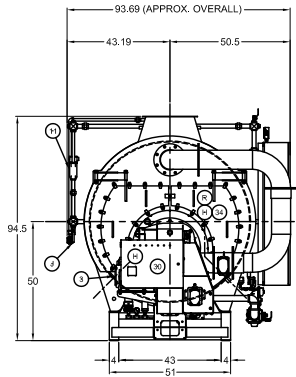
MAJOR COMPONENTS			SERVICE CONNECTIONS			NOTES		
1	Control Panel	21	N/A	A	Electric - Main Power Supply - 460 / 3 / 60	* Boiler is Designed and Constructed In Accordance with the ASME Boiler and Pressure Vessel Code - Section 1 High Pressure Boiler * This Unit Complies with Insurance Underwriters Requirement for Factory Mutual & GE Global Asset Protection * The Boiler Package is painted with High Temperature Light Blue Enamel * The Burner Operation is Full Modulating * The Boiler Burner Package Has A UL Label * All Valves to be Mounted, Hydro Tested, & Listed on All Applicable Forms This Boiler is Provided with: 1. Control Circuit Transformer 2. Welded End Caps on Baserails		
2	Entrance Panel	22	Handholes (6) 3.25" x 4.5"	B	N/A			
3	Blower Motor - 7.5 HP	24	Front Slight Port	C	Exhaust Vent Pipe - 20" OD			
4	Air Compressor - 5 HP	24	Rear Slight Port	D	Vent Flange (See Detail)			
5	Combustion Safeguard Control - CB-780E	25	Burner	E	Steam Outlet - 6" 300# R.F. Flange			
6	Flame Scanner - Infrared	26	Alarm	F	N/A			
7	Pressure Control - Operalino Limit	27	Low Fire Hold Control	G	N/A			
8	Pressure Control - High Limit (Manual Reset)	28	N/A	H	Feedwater - (2) 2.0 NPT			
9	Pressure Control - Modulating	29	N/A	I	Bottom Blowdown - (2) 1.5 NPT			
10	Main Low Water Column - Levelmaster II	30	Burner Mounted Junction Box	J	Water Column Blowdown - 0.75 NPT			
11	Auxiliary Low Water Cutoff - Warrick 3C-2	31	Bottom Blowdown Piping	K	Gauge Glass Blowdown - 0.25 NPT			
12	Steam Gauge	32	Surface Blowdown Piping	L	Surface Blowoff - 1.0 NPT			
13	N/A	33	N/A	M	N/A			
14	Stack Thermometer	34	N/A	N	Main Gas - TBD			
15	Safety Valve (2) Set @ 150#	35	N/A	O	Minimum Inlet Gas Pressure Required: 78.5" W.C. Maximum Inlet Gas Pressure Required: TBD Rating - 12,552 (oh) MBtu			
16	Gas Train	36	FGR Piping	P	Oil Inlet - 0.75 NPT (75 PSI Required at Inlet) Rating - 89.7 gph			
17	Fuel Oil Piping Terminal	37	N/A	Q	Oil Outlet - 0.75 NPT			
18	Fuel Oil Pump Assembly	38	N/A	R	Chemical Feed - 1.0 NPT			
19	Manway 12" x 16"	39	N/A	S	Safety Valve - (1) Kumble 6010GFE 1.25 x 1.5 FPT (Outlet)			
20	N/A	40	N/A	T	Safety Valve - (1) Kumble 6010HGE 1.5 x 2.0 FPT (Outlet)			

BOILER SPECIFICATIONS

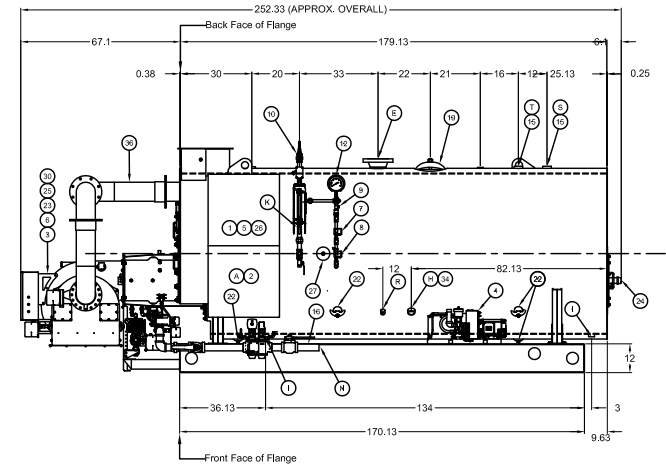
Boiler Designation - CBEX PREMIUM 200 300
 Design Pressure - 150 ST
 Design Rating - 300 hp
 Emissions - 30 ppm
 Fuel(s) - No. 2 Oil and Natural Gas
 Steam Capacity - 10,350 # steam @ 212 deg F
 Fireside Heating Surface - 768 Sq. Ft.
 Dry Weight - 16,090 LB
 Water Weight - 10,550 LB
 Gallons (Operating) - 1,265
 Code Compliance - FM, GE Gap, CSD-1, Former IRI



LEFT HAND VIEW



FRONT VIEW



RIGHT HAND VIEW

THIS DRAWING IS PROPERTY OF CLEAVER-BROOKS DIVISION. IT IS SUBJECT TO CHANGE WITHOUT NOTICE, AND IS NOT TO BE COPIED OR USED IN ANY MANNER DETRIMENTAL TO THE COMPANY.

REVISIONS	

CAUTION

DIMENSIONS SHOWN ARE APPROXIMATE AND SHOULD NOT BE USED IN RESTRICTIVE LAYOUTS OR TO PREFABRICATE ASSEMBLIES UNLESS CLEAVER-BROOKS HAS BEEN CONSULTED. IT IS STRONGLY RECOMMENDED THAT THE CUSTOMER REQUEST AS-BUILT CERTIFIED DRAWINGS FOR THESE CASES.

WARNING

LIFTING LUGS PROVIDED ON THE VESSEL SHALL ONLY BE USED TO LIFT THE VESSEL WHEN IT IS DRY.

WARNING

CHANGES, MODIFICATIONS OR ALTERATIONS ARE STRICTLY PROHIBITED. CHANGES TO THIS DRAWING AND SUBSEQUENT MODIFICATION OF THE EQUIPMENT AND/OR SERIOUS PERSONAL INJURY.

Name	Location
DIMENSIONAL DIAGRAM	
SIZE	SHT 01 OF 01

SCALE	N.T.S.	
DATE		
DRAWN	LES	CBEX-P 200 300 150ST CAPACITY 460 3 60 3 FM&GAP 150ST 3
CHECKED BY	DJM	
DRWG. NO.		00