

THIS DRAWING IS PROPERTY OF CLEAVER-BROOKS, INC. IT IS SUBJECT TO CHANGE WITHOUT NOTICE, AND IS NOT TO BE COPIED OR USED IN ANY WAY DETRIMENTAL TO THE COMPANY. SUGGESTIONS AND INFORMATION CONTAINED ON THIS DRAWING ARE NOT INTENDED TO SUPPLANT LOCAL CODES.

4

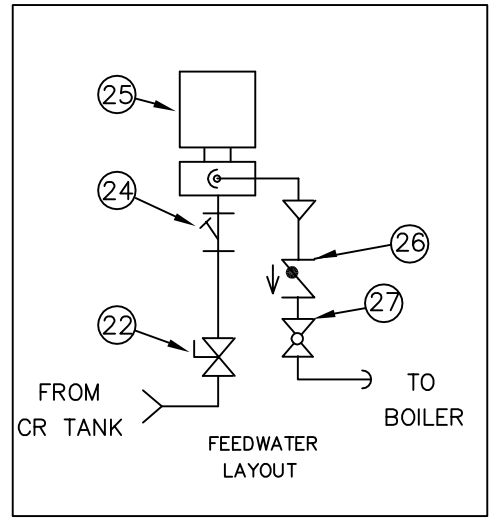
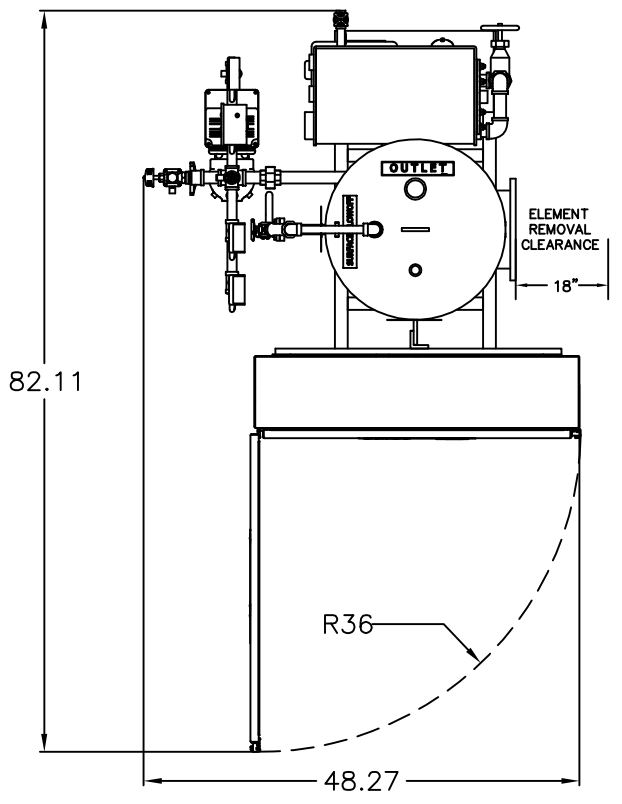
3

2

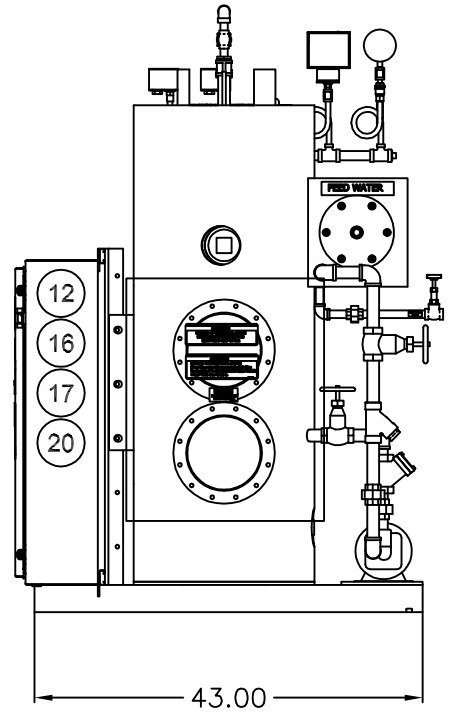
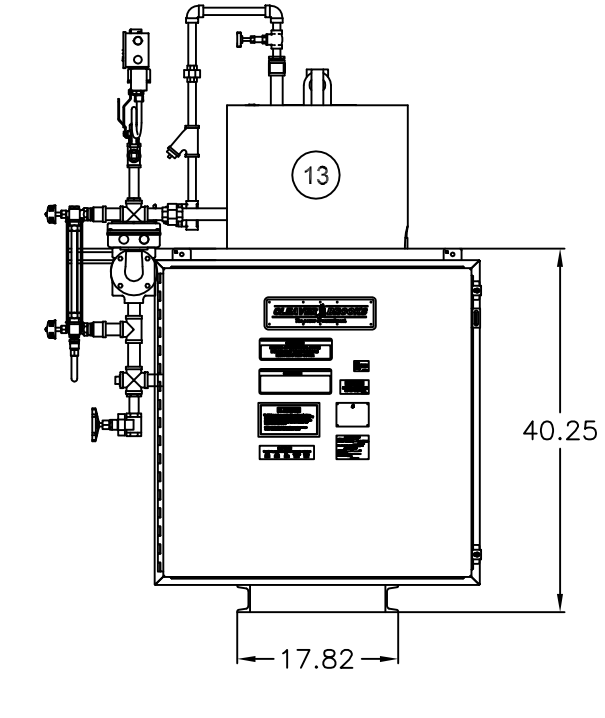
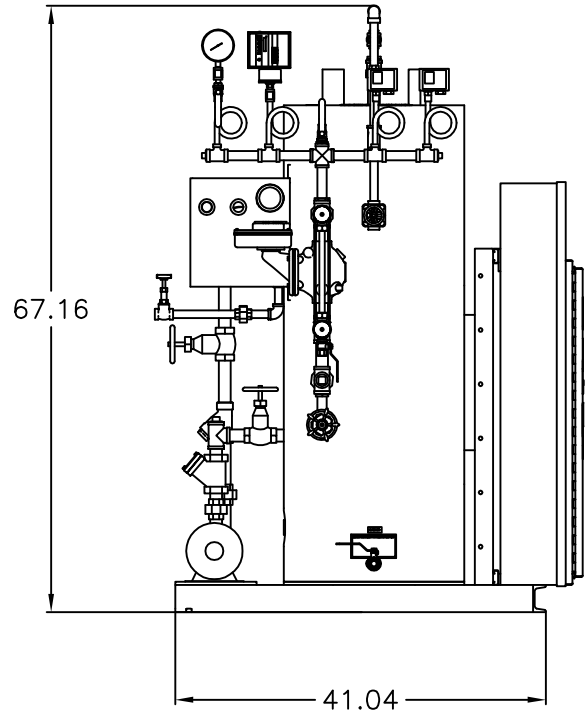
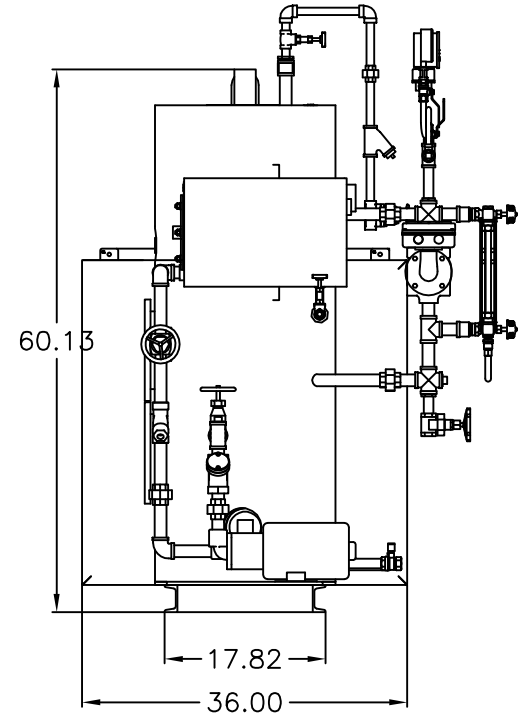
1

ITEM	
1	STEAM OUTLET - 2.0 NPS
2	OVERFLOW - 1.0 NPS
3	RETURN - 2.0 NPS
4	BLOWDOWN VALVE - 1.0 NPS
5	FEEDWATER - 0.75 NPS
6	PRESSURE CONTROL - OPERATING LIMIT
7	WATER COLUMN - McDM #42
8	GAUGE GLASS BLOWDOWN - 0.25 NPS
9	WATER COLUMN BLOWDOWN - 0.75 NPS
10	ELECTRICAL PANEL ENTRANCE/DOOR
11	ELEMENT ACCESS
12	POWER SWITCH WITH PILOT LIGHT(S) POWER/HIGH WATER/LOW WATER
13	AUX. LWCO PROBE (NOT SHOWN)
14	PRESSURE GAUGE
15	SAFETY VALVE - (1) @ 150 PSI
16	PUMP SWITCH
17	HIGH PRESSURE LIGHT
18	DRAIN VALVE 0.5 NPS (CONDENSATE TANK)
19	CONDENSATE RETURN TANK
20	ALARM BELL 4" WITH SILENCER
21	PRESSURE CONTROL - HIGH LIMIT
22	VALVE, GLOBE, PUMP SUCTION, 1"
23	PRESSURE CONTROL - MODULATING LIMIT
24	STRAINER, WYE, PUMP SUCTION, 1"
25	PUMP 1/4HP
26	VALVE, SPRING CHECK, FEEDWATER, 1"
27	VALVE, GLOBE, FEEDWATER, 1"
28	VENT - 1"
29	SWITCHGEAR FUSED MANUAL DISCONNECT SWITCH
30	SURFACE BLOWDOWN SYSTEM - CONDUCTIVITY CONTROL SHIP LOOSE

CAUTION
 DIMENSIONS SHOWN ARE APPROXIMATE AND SHOULD NOT BE USED IN RESTRICTIVE LAYOUTS OR TO PREFABRICATE ASSEMBLIES UNLESS CLEAVER-BROOKS HAS BEEN CONSULTED. IT IS STRONGLY RECOMMENDED THAT THE CUSTOMER REQUEST AS-BUILT CERTIFIED DRAWINGS FOR THESE CASES.
 BOILER MAY BE SHOWN WITH OPTIONAL EQUIPMENT IN LUEI OF STANDARD COMPONENTS.



- NOTES:
- Boiler to be constructed per ASME Boiler and Pressure Vessel Code, Section IV, "H" stamped and National Board registered.
 - Boiler to comply with NEC and UL requirements.
 - Boiler to comply with CSD-1 requirements.
 - Vessel is to be wrapped with 2" insulation
 - Jacket enclosure is to be lined with one layer of insulation.
 - Disconnect panel to ship loose for remote mounting



REVISIONS	SPECIFICATIONS
	PRESSURE: DESIGN 15ST KW 90 AT 208 / 3 / 60 18 ELEMENTS AT 5 KW 50 WSI INCOLOY SAFETY VALVE SET PRESSURE 15 PSI

SAMPLE	DIMENSIONAL DRAWING
	SHT 01 OF 01

SCALE N.T.S.
DATE 9/27/10
DRAWN
SIZE

CleaverBrooks®				
CR TYPE 208 VOLTS	162 SIZE 3 PHASE	90 KW 60 HERTZ	15ST PRESSURE 3 WIRE	GALLONS N/A INSURANCE
DRWG. NO. SAMPLE				00

D
C
B
A