

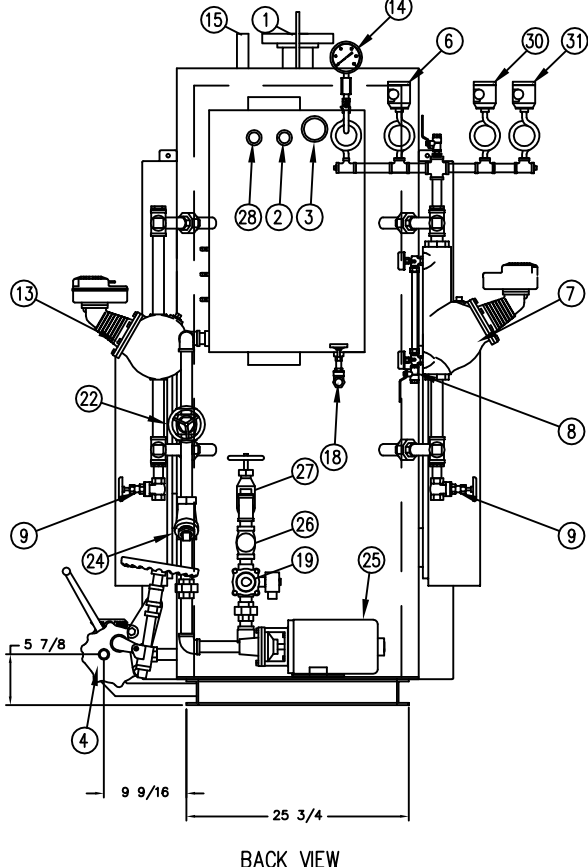
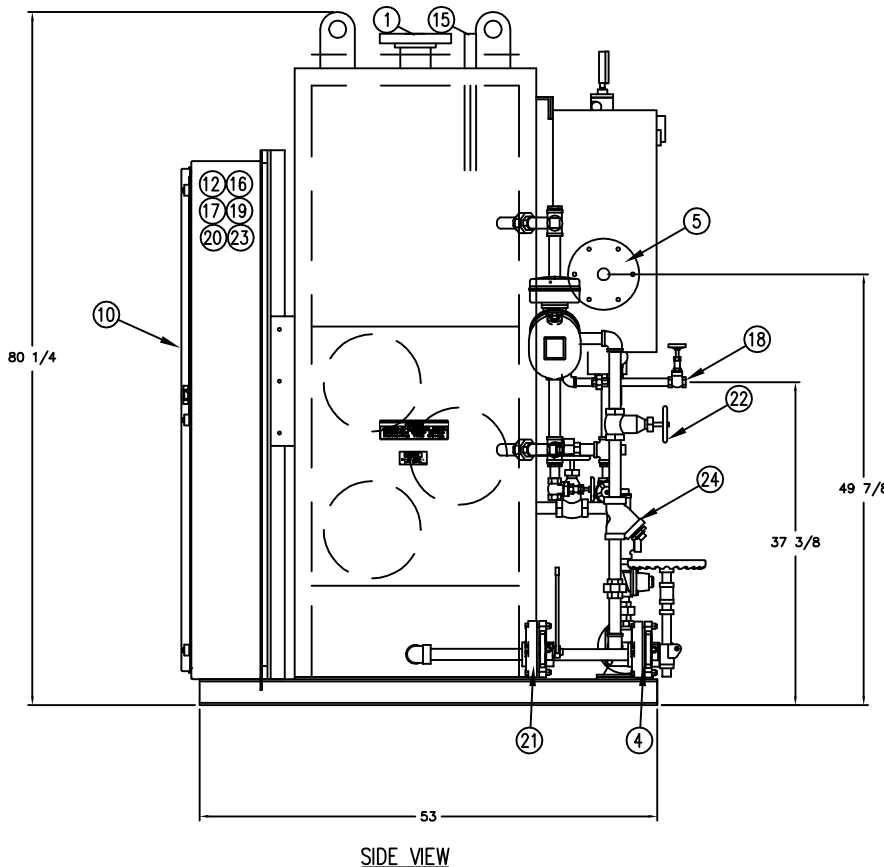
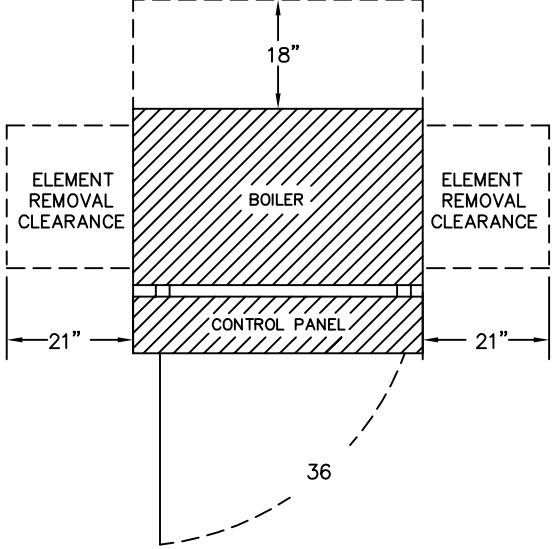
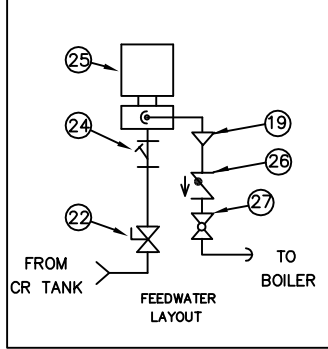
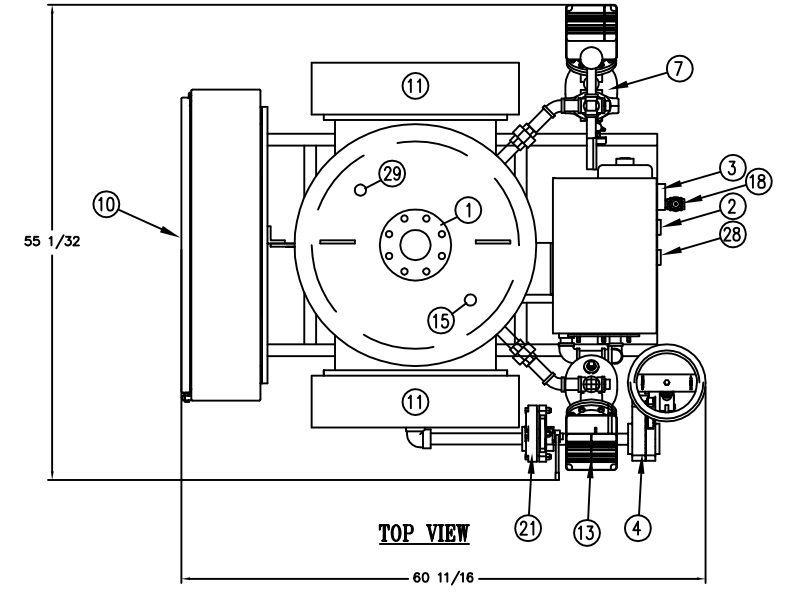
THIS DRAWING IS PROPERTY OF CLEAVER-BROOKS, INC. IT IS SUBJECT TO CHANGE WITHOUT NOTICE, AND IS NOT TO BE COPIED OR USED IN ANY WAY DETRIMENTAL TO THE COMPANY. SUGGESTIONS AND INFORMATION CONTAINED ON THIS DRAWING ARE NOT INTENDED TO SUPPLANT LOCAL CODES.

4

3

2

1



ITEM	DESCRIPTION/MATERIAL
1	STEAM OUTLET - 3.0 300 LB R.F. FLG
2	OVERFLOW - 1.0 NPS
3	RETURN - 2.0 NPS
4	SLOW OPENING BLOWDOWN VALVE - 1 NPS
5	FEEDWATER - 0.75 NPS
6	PRESSURE CONTROL - OPERATING LIMIT
7	WATER COLUMN - McDM #157
8	GAUGE GLASS BLOWDOWN - 0.25 NPS
9	WATER COLUMN BLOWDOWN - 0.75 NPS
10	ELECTRICAL PANEL ENTRANCE/DOOR
11	ELEMENT ACCESS PANEL
12	POWER SWITCH WITH PILOT LIGHT(S) POWER/HIGH WATER/LOW WATER
13	AUX. LWCO - McDONNELL MILLER 150 (MANUAL RESET)
14	PRESSURE GAUGE
15	SAFETY VALVE - (1) @ 100 PSI
16	PUMP SWITCH
17	HIGH PRESSURE LIGHT
18	DRAIN VALVE 0.5 NPS (CONDENSATE TANK)
19	PUMP SOLENOID SWITCH
20	ALARM BELL 4" WITH SILENCER
21	QUICK OPENING BLOWDOWN VALVE - 1.0 NPS
22	VALVE, GLOBE, PUMP SUCTION, 1"
23	NO. OF STEPS @ kW - 7 @ 40, & 1 @ 20
24	STRAINER, WYE, PUMP SUCTION, 1"
25	PUMP 1/2HP
26	VALVE, SPRING CHECK, FEEDWATER, 1"
27	VALVE, GLOBE, FEEDWATER, 1"
28	VENT - 1"
29	SURFACE BLOWOFF - 1"
30	PRESSURE CONTROL - HIGH LIMIT
31	PRESSURE CONTROL - MODULATING

- NOTES:
- Boiler to be constructed per ASME Boiler and Pressure Vessel Code, Section I, "S" stamped and National Board registered.
 - Boiler to comply with NEC and UL requirements.
 - Boiler to comply with CSD-1 requirements.
 - a) Vessel is to be wrapped with 2" insulation
b) Jacket enclosure is to be lined with one layer of insulation.
 - All valves to be mounted, hydro tested & listed on all applicable forms.
 - 4" X 6" Handholes in lieu of 3" couplings

CAUTION

DIMENSIONS SHOWN ARE APPROXIMATE AND SHOULD NOT BE USED IN RESTRICTIVE LAYOUTS OR TO PREFABRICATE ASSEMBLIES UNLESS CLEAVER-BROOKS HAS BEEN CONSULTED. IT IS STRONGLY RECOMMENDED THAT THE CUSTOMER REQUEST AS-BUILT CERTIFIED DRAWINGS FOR THESE CASES.

BOILER MAY BE SHOWN WITH OPTIONAL EQUIPMENT IN LIEU OF STANDARD COMPONENTS.

ELECTRICAL SPECIFICATIONS	
PRESSURE: DESIGN	150ST
KW	300 AT 480 / 3 / 60
ELEMENTS AT	6.7 KW 67 WSI INCOLOY
RELIEF VALVE SET PRESSURE	100 PSI

SAMPLE

DIMENSIONAL DRAWING
SHT 01 OF 01

SCALE	N.T.S.
DATE	8/2/10
DRAWN	
SIZE	

CleaverBrooks®

CR TYPE	241 SIZE	300 KW	150ST PRESSURE	GALLONS
480 VOLTS	3 PHASE	60 HERTZ	3 WIRE	N/A INSURANCE

DRWG. NO. **SAMPLE** 00

REVISIONS

D
C
B
A