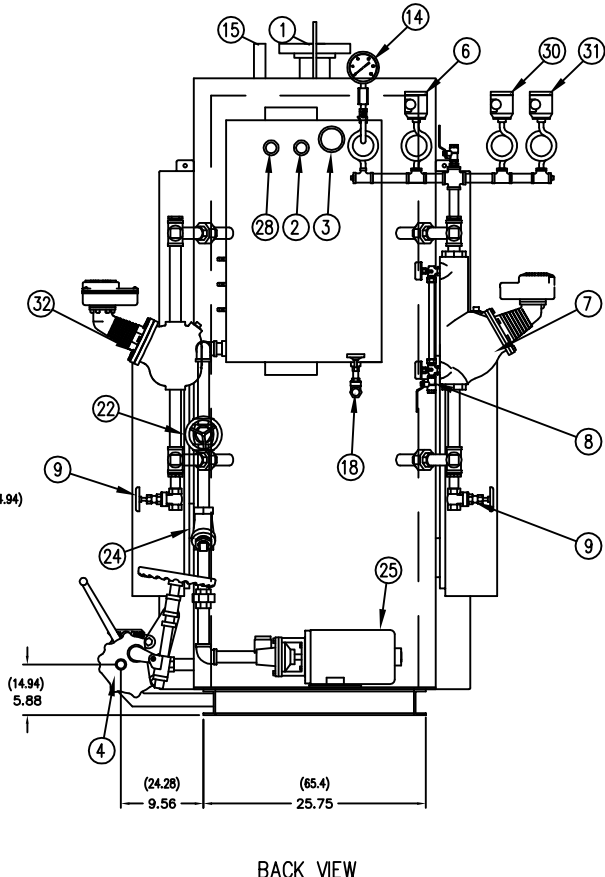
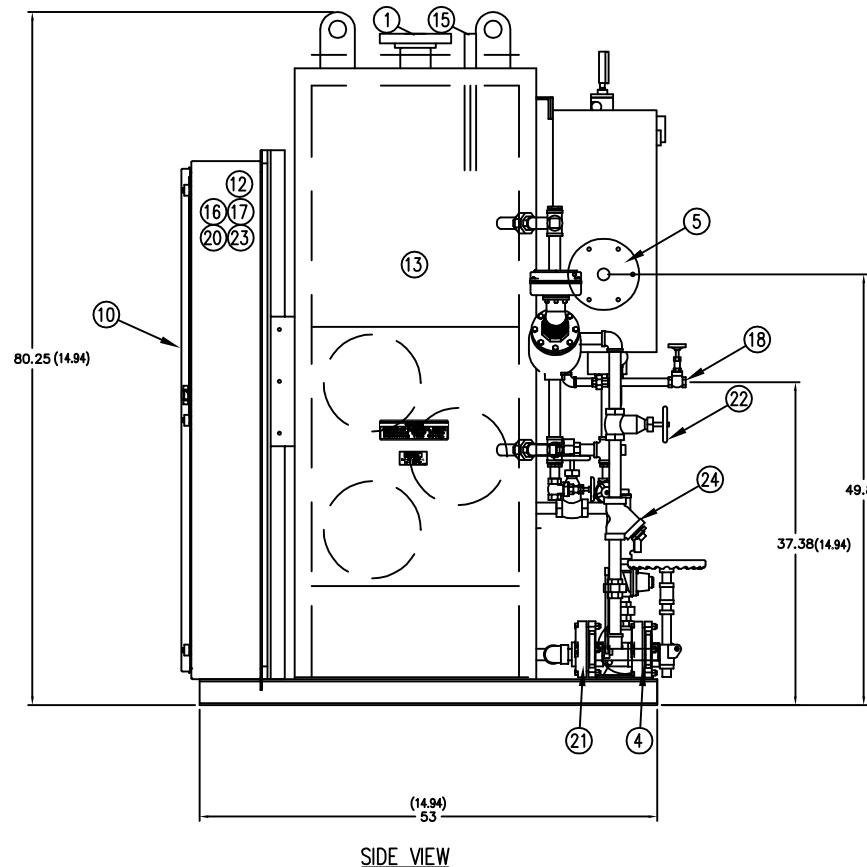
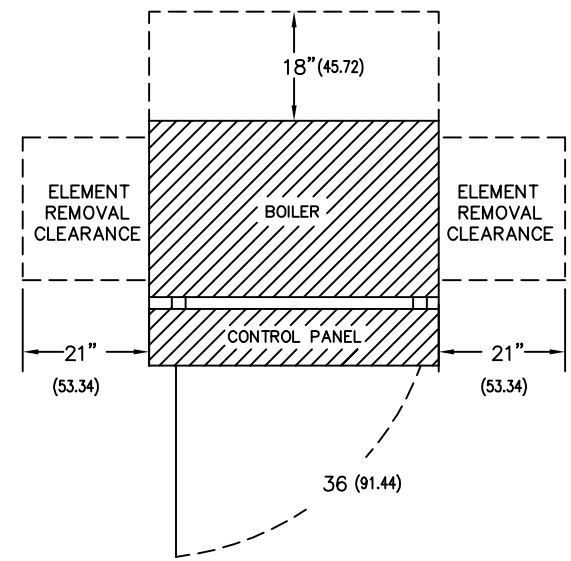
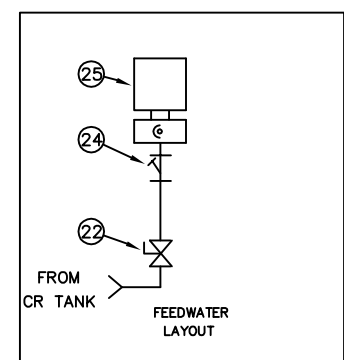
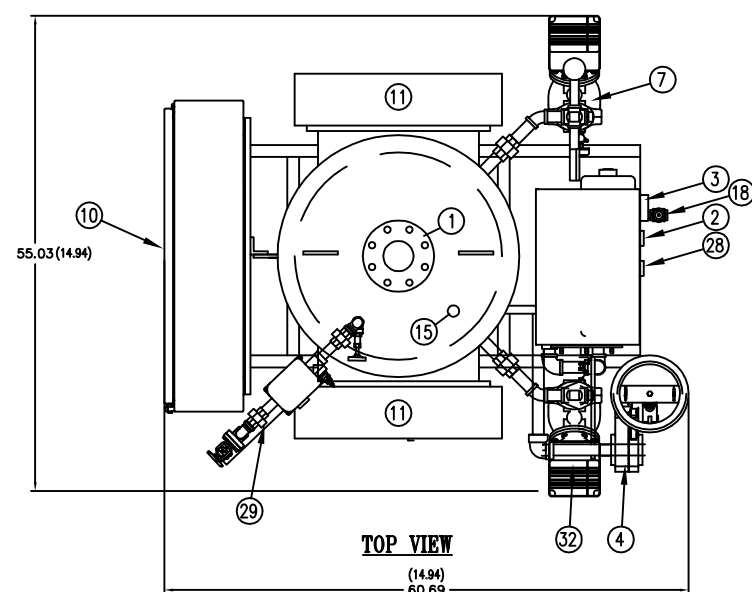


THIS DRAWING IS PROPERTY OF CLEAVER-BROOKS, INC. IT IS SUBJECT TO CHANGE WITHOUT NOTICE, AND IS NOT TO BE COPIED OR USED IN ANY WAY DETRIMENTAL TO THE COMPANY. SUGGESTIONS AND INFORMATION CONTAINED ON THIS DRAWING ARE NOT INTENDED TO SUPPLANT LOCAL CODES.



ITEM	DESCRIPTION/MATERIAL
1	STEAM OUTLET - 3 (20.68) 300PSI/2068KPa RF FLG
2	OVERFLOW - 1.5 (3.81)
3	RETURN - 1.5 (3.81)
4	SLOW OPENING BLOWDOWN VALVE - 1 (2.54)
5	FEEDWATER - 0.75 (1.9)
6	PRESSURE CONTROL - OPERATING LIMIT
7	WATER COLUMN - McDM #157
8	GAUGE GLASS BLOWDOWN - 0.25 (.635)
9	WATER COLUMN BLOWDOWN - 0.75 (1.9)
10	ELECTRICAL PANEL ENTRANCE/DOOR
11	ELEMENT ACCESS PANEL
12	POWER SWITCH WITH PILOT LIGHT(S) POWER/HIGH WATER/LOW WATER
13	HIGH WATER LEVEL CONTROL - WARRICK PROBE (NOT SHOWN)
14	PRESSURE GAUGE
15	SAFETY VALVE - (1) @ 150 PSI / 1034 KPa
16	PUMP SWITCH
17	HIGH PRESSURE LIGHT
18	DRAIN VALVE 0.5 NPS (CONDENSATE TANK)
19	N/A
20	ALARM BELL 4" WITH SILENCER
21	QUICK OPENING BLOWDOWN VALVE - 1 (2.54)
22	VALVE, GLOBE, PUMP SUCTION, 1 (2.54)
23	NO. OF STEPS @ kW - 8 @ 47, & 1 @ 23
24	STRAINER, WYE, PUMP SUCTION, 1 (2.54)
25	PUMP 3/4HP / .55 kW
26	N/A
27	N/A
28	VENT - 1 (2.54)
29	SURFACE BLOWDOWN SYSTEM - PREASSEMBLED AND SHIPPED LOOSE
30	PRESSURE CONTROL - HIGH LIMIT
31	PRESSURE CONTROL - MODULATING
32	AUXILIARY LOW WATER CUTOFF - McDONNELL MILLER 150

- NOTES:
- 1) Boiler to be constructed per ASME Boiler and Pressure Vessel Code, Section I, "S" stamped and National Board registered.
 - 2) Boiler to comply with NEC and UL requirements.
 - 3) Boiler to comply with CSD-1 requirements.
 - 4) Vessel is to be wrapped with 2" insulation
 - 5) All valves to be mounted, hydro tested, & listed on all applicable forms
 - 6) All dimensions are shown in inches (centimeters)

CAUTION
 DIMENSIONS SHOWN ARE APPROXIMATE AND SHOULD NOT BE USED IN RESTRICTIVE LAYOUTS OR TO PREFABRICATE ASSEMBLIES UNLESS CLEAVER-BROOKS HAS BEEN CONSULTED. IT IS STRONGLY RECOMMENDED THAT THE CUSTOMER REQUEST AS-BUILT CERTIFIED DRAWINGS FOR THESE CASES.
 BOILER MAY BE SHOWN WITH OPTIONAL EQUIPMENT IN LUEI OF STANDARD COMPONENTS.

ELECTRICAL SPECIFICATIONS	
PRESSURE: OPERATING	80PSI/551KPa
KW	398 AT 600 / 3 / 60
ELEMENTS AT	7.8 KW 67 WSI INCOLOY
RELIEF VALVE SET PRESSURE	150PSI/1034KPa

SAMPLE

DIMENSIONAL DRAWING	
SCALE	N.T.S.
DATE	5/3/10
DRAWN	
SIZE	
SHT 01 OF 01	

CleaverBrooks®				
CR TYPE	242 SIZE	398 KW	150PSI PRESSURE	
600 VOLTS	3 PHASE	60 HERTZ	3 WIRE	N/A INSURANCE
DRWG. NO.	SAMPLE			00

REVISIONS

D
C
B
A