

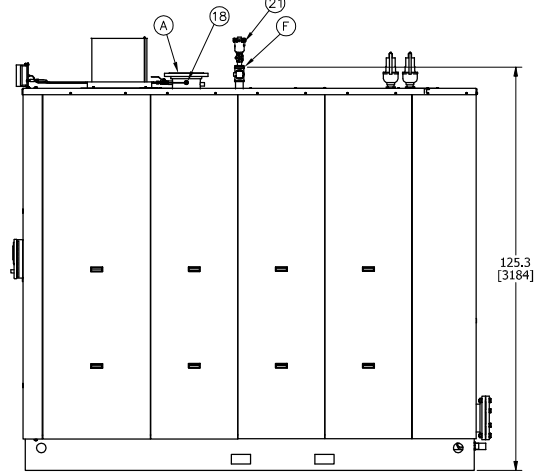
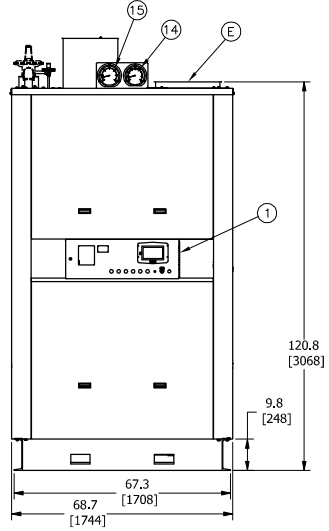
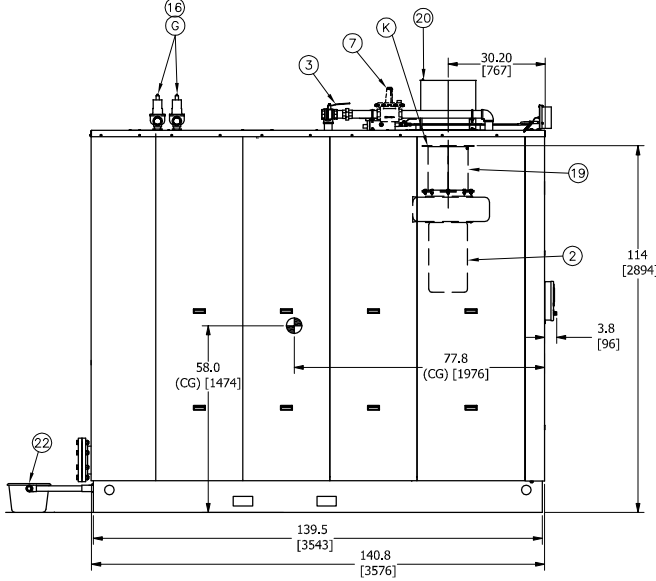
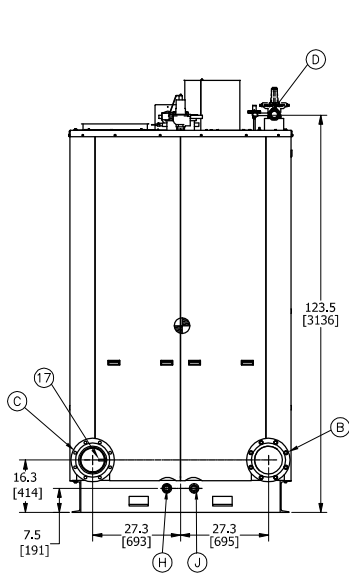
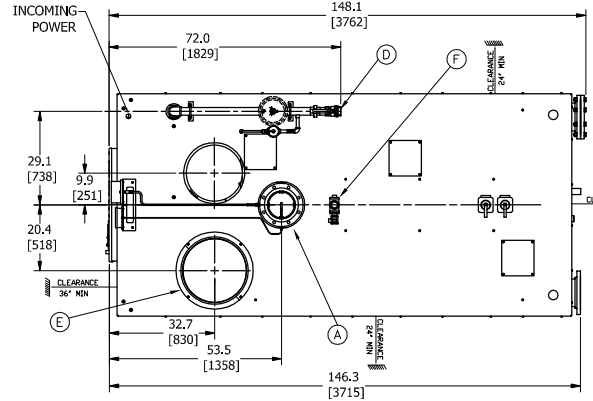
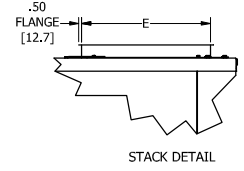
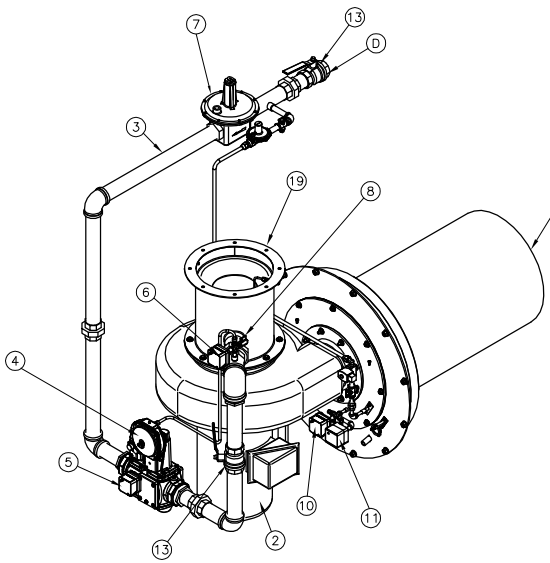
ITEM	MAJOR COMPONENTS
1	CONTROL PANEL WITH FALCON
2	BLOWER MOTOR
3	GAS TRAIN PIPING
4	VALVE, GAS 120VAC
5	LOW GAS PRESSURE SWITCH (MR)
6	HIGH GAS PRESSURE SWITCH (MR)
7	GAS PRESSURE REGULATOR, (OPTIONAL)
8	LEAKAGE TEST COCK (3)
9	BURNER CAN UNIT
10	HIGH AIR PRESSURE SWITCH
11	COMBUSTION AIR PROVING SWITCH
12	N/A
13	BUTTERBALL VALVE 2" NPT (2)
14	TEMPERATURE GAUGE (50-250°F) 6"
15	PRESSURE GAUGE (0-300 PSI) 6"
16	RELIEF VALVE (SHIPPED LOOSE)
17	INLET TEMPERATURE WELL
18	OUTLET TEMPERATURE/HIGH LIMIT CONTROL SENSOR
19	COMBUSTION AIR-FUEL MIXING VENTURI
20	COMBUSTION AIR FILTER (SHIPPED LOOSE)
21	AUTO AIR VENT (OPTIONAL)
22	CONDENSATE TREATMENT SYSTEM (OPTIONAL)

ITEM	CUSTOMER CONNECTIONS
A	H/W SUPPLY SIZE 8"-150# R.F.FLG.
B	HIGH TEMP. RETURN SIZE 8"-150# R.F.FLG.
C	LOW TEMP. RETURN SIZE 8"-150# R.F.FLG.
D	GAS SUPPLY LINE 2" NPT
E	STACK I.D. #20"
F	VENT SIZE 2" NPT
G	SAFETY RELIEF VALVE @ 160 PSI 2" NPT
H	SAFETY RELIEF VALVE @ 125 PSI 2 1/2" NPT
I	SAFETY RELIEF VALVE @ 100 PSI 2 1/2" NPT
J	SAFETY RELIEF VALVE @ 60 PSI (1) 2 1/2" & (1) 1 1/4" NPT
K	SAFETY RELIEF VALVE @ 30 PSI (2) 2 1/2" NPT
L	CONDENSATE DRAIN 1-1/2" NPT
M	DRAIN 1-1/2" NPT
N	DIRECT VENT COMBUSTION AIR CONNECTION 12"

SHIPPING DATA	
BOILER HEIGHT	125.34" (3184 MM)
BOILER WIDTH	68.7" (1744 MM)
BOILER DEPTH	148.1" (3762 MM)
BOILER DRY WEIGHT (SHIPPING WEIGHT)	16,100 LB (7303 KG)
OPERATING WEIGHT (FLOODED)	22,928 LB (10400 KG)

BOILER DATA	
MAX FUEL INPUT (NATURAL GAS)	12,000 MBH
MAX OUTPUT NATURAL GAS (94% NOM. EFF.)	11,280 MBH
MAX OPERATING TEMPERATURE	230 F (90 C)
MIN GAS PRESSURE REQUIRED	31" W.C.
MAX GAS PRESSURE ALLOWED	2 PSI (W/O REGULATOR)
INCOMING POWER	208/230/460/3/60
BOILER WATER VOLUME	819 GAL. (3100 L)
HIGH AIR PRESSURE SWITCH (HAPS) SETTING	W.C.

- NOTES:**
- BOILER IS DESIGNED AND CONSTRUCTED IN ACCORDANCE WITH THE ASME BOILER AND PRESSURE VESSEL CODE SECTION IV, WITH "HT" STAMP FOR 160# MAWP.
  - PACKAGED BOILER CERTIFIED FOR CLASS Labeled.
  - ASME CSD-1 COMPLIANT.
  - UNIT IS FACTORY FIRE TESTED W/ CASING INSTALLED.
  - BURNER IS FULLY MODULATING WITH 5:1 TURNDOWN.
  - ALL NORMALLY UNUSED FITTINGS ARE CAPPED OR PLUGGED.
  - PIPE AIR VENT TO EXPANSION TANK, AIR SEPARATOR OR USE AUTO AIR VENT.



THIS DRAWING IS PROPERTY OF CLEAVER-BROOKS DIVISION. IT IS SUBJECT TO CHANGE WITHOUT NOTICE, AND IS NOT TO BE COPIED OR USED IN ANY WAY DETRIMENTAL TO THE COMPANY.

REVISIONS

**CAUTION**  
DIMENSIONS SHOWN ARE APPROXIMATE AND SHOULD NOT BE USED IN RESTRICTIVE LAYOUTS OR TO PREPARE ASSEMBLIES UNLESS CLEAVER-BROOKS HAS BEEN CONSULTED. IT IS STRONGLY RECOMMENDED THAT THE CUSTOMER REQUEST AS-BUILT CERTIFIED DRAWINGS FOR THESE CASES.

**WARNING:**  
Changes, modifications or alterations are strictly prohibited.  
Change to this drawing and subsequent modification of equipment could result in damage to the equipment and/or serious personal injury.

DD12000CFLC  
SIZE D  
DIMENSION DIAGRAM  
SHT 01 OF 01

N.I.S. 11/18/2013 MRR CHECKED BY DJM	<b>CleaverBrooks</b> CFCL 700 12000 160HW 208-460 3 50 VOLTS PHASE HERTZ DRWG. NO. DD12000CFLC 00
---	---