

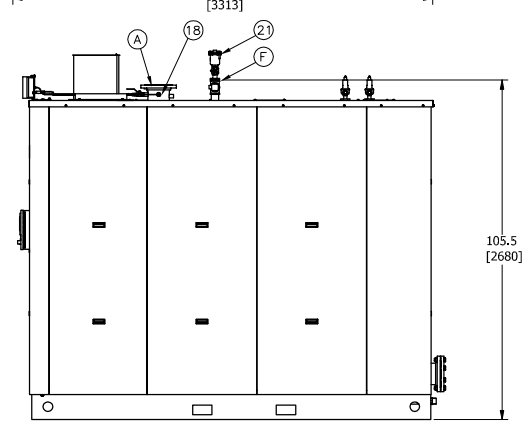
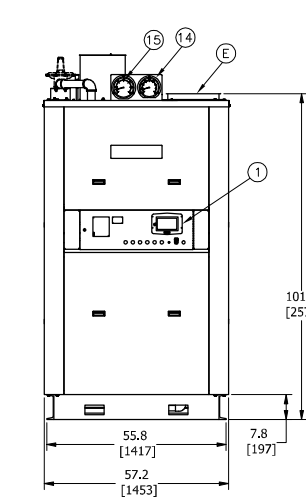
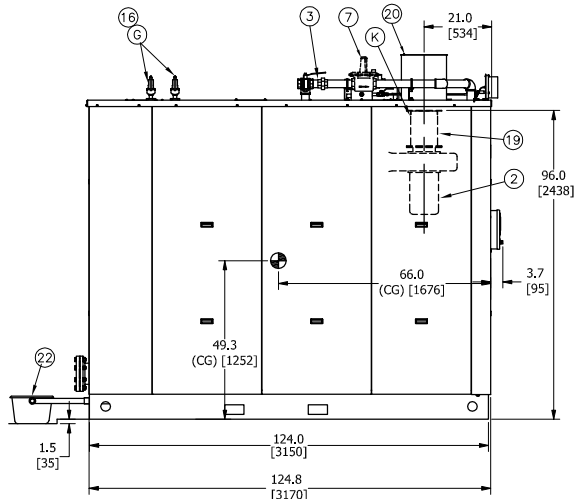
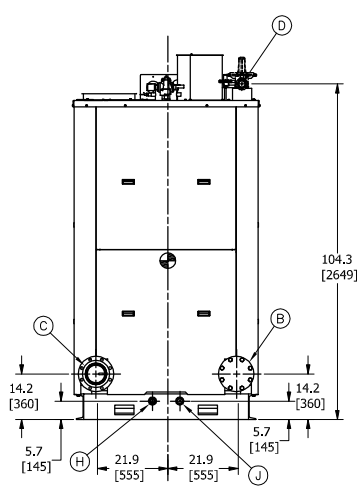
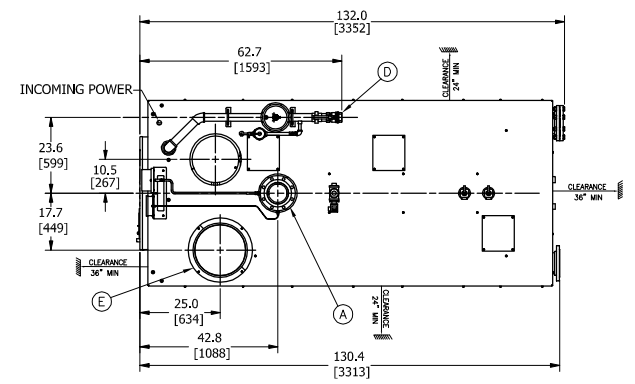
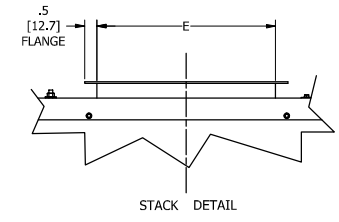
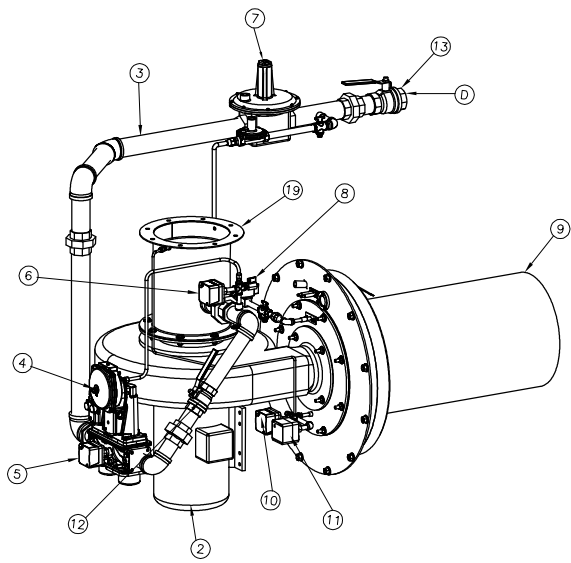
ITEM	MAJOR COMPONENTS
1	CONTROL PANEL WITH FALCON
2	BLOWER MOTOR
3	GAS TRAIN PIPING
4	VALVE, GAS 120VAC
5	LOW GAS PRESSURE SWITCH (MR)
6	HIGH GAS PRESSURE SWITCH (MR)
7	GAS PRESSURE REGULATOR (OPTIONAL)
8	LEAKAGE TEST COCK (Z)
9	BURNER CAN UNIT
10	HIGH AIR PRESSURE SWITCH
11	COMBUSTION AIR PROWING SWITCH
12	BALL VALVE 1 1/2" NPT
13	BUTTERBALL VALVE 2" NPT
14	TEMPERATURE GAUGE (50-250°F) 6"
15	PRESSURE GAUGE (0-300 PSI) 6"
16	RELIEF VALVE (SHIPPED LOOSE)
17	INLET TEMPERATURE WELL
18	OUTLET TEMPERATURE/HIGH LIMIT CONTROL SENSOR
19	COMBUSTION AIR-FUEL MIXING VENTURI
20	COMBUSTION AIR FILTER (SHIPPED LOOSE)
21	AUTO AIR VENT (OPTIONAL)
22	CONDENSATE TREATMENT SYSTEM (OPTIONAL)

ITEM	CUSTOMER CONNECTIONS
A	HW SUPPLY SIZE 6"-150# R.F.F.L.G.
B	HIGH TEMP. RETURN SIZE 6"-150# R.F.F.L.G.
C	LOW TEMP. RETURN SIZE 6"-150# R.F.F.L.G.
D	GAS SUPPLY LINE 2" NPT
E	STACK I.D. #16"
F	VENT SIZE 2" NPT
G	SAFETY RELIEF VALVE @ 160 PSI 1 1/4" NPT
	SAFETY RELIEF VALVE @ 125 PSI (2) 1" NPT
	SAFETY RELIEF VALVE @ 100 PSI 2" NPT
	SAFETY RELIEF VALVE @ 60 PSI 2 1/2" NPT
	SAFETY RELIEF VALVE @ 30 PSI 1-1/4" NPT
H	CONDENSATE DRAIN 1-1/4" NPT
J	DRAIN 1-1/2" NPT
K	DIRECT VENT COMBUSTION AIR CONNECTION 10"

SHIPPING DATA	
BOILER HEIGHT	105.5" (2680 MM)
BOILER WIDTH	57" (1448 MM)
BOILER DEPTH	132" (3353 MM)
BOILER DRY WEIGHT (SHIPPING WEIGHT)	9,800 LB (4,445 KG)
OPERATING WEIGHT (FLOODED)	14,460 LB (6,559 KG)

BOILER DATA	
MAX FUEL INPUT (NATURAL GAS)	6,000 MBH
MAX OUTPUT NATURAL GAS (94% NOM. EFF.)	5,640 MBH
MAX OPERATING TEMPERATURE	230 F (110 C)
MIN GAS PRESSURE REQUIRED	28" W.C.
MAX GAS PRESSURE ALLOWED	2 PSI (W/O REGULATOR)
INCOMING POWER	208/230/460/3/60
BOILER WATER VOLUME	559 GAL. (2116 L)
HIGH AIR PRESSURE SWITCH (HAPS) SETTING	W.C.

- NOTES:**
1. BOILER IS DESIGNED AND CONSTRUCTED IN ACCORDANCE WITH THE ASME BOILER AND PRESSURE VESSEL CODE SECTION IV, WITH "H" STAMP FOR 160# MAMP.
  2. PACKAGED BOILER CERTIFIED FOR 4000 LBELED.
  3. ASME CSD-1 COMPLIANT.
  4. UNIT IS FACTORY FIRE TESTED W/ CASING INSTALLED.
  5. BURNER IS FULLY MODULATING WITH 5:1 TURNDOWN.
  6. ALL NORMALLY UNUSED FITTINGS ARE CAPPED OR PLUGGED.
  7. PIPE AIR VENT TO EXPANSION TANK, AIR SEPARATOR OR USE AUTO AIR VENT.



THIS DRAWING IS PROPERTY OF CLEAVER-BROOKS DIVISION. IT IS SUBJECT TO CHANGE WITHOUT NOTICE, AND IS NOT TO BE COPIED OR USED IN ANY WAY DETRIMENTAL TO THE COMPANY.

REVISIONS

**CAUTION**  
DIMENSIONS SHOWN ARE APPROXIMATE AND SHOULD NOT BE USED IN RESTRICTIVE LAYOUTS OR TO PREFABRICATE ASSEMBLIES UNLESS CLEAVER-BROOKS HAS BEEN CONSULTED. IT IS STRONGLY RECOMMENDED THAT THE CUSTOMER REQUEST AS-BUILT CERTIFIED DRAWINGS FOR THESE CASES.

**WARNING:**  
Changes, modifications or alterations are strictly prohibited.  
Changes to this drawing and subsequent modification of equipment could result in damage to the equipment and/or serious personal injury.

DD6000CFLC	SIZE D	DIMENSION DIAGRAM		SHT 01 OF 01	
		DRAWN MRR		CHECKED BY DJM	
		DATE 11/22/2013		SCALE 3/8"	
		PROJECT CFLC 700		REVISE 3	

**CleaverBrooks**  
DRWG. NO. DD6000CFLC 00