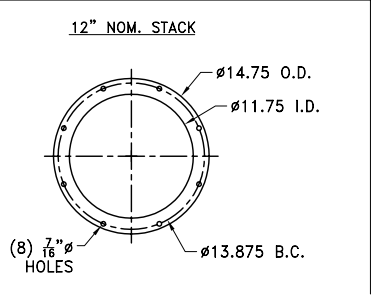


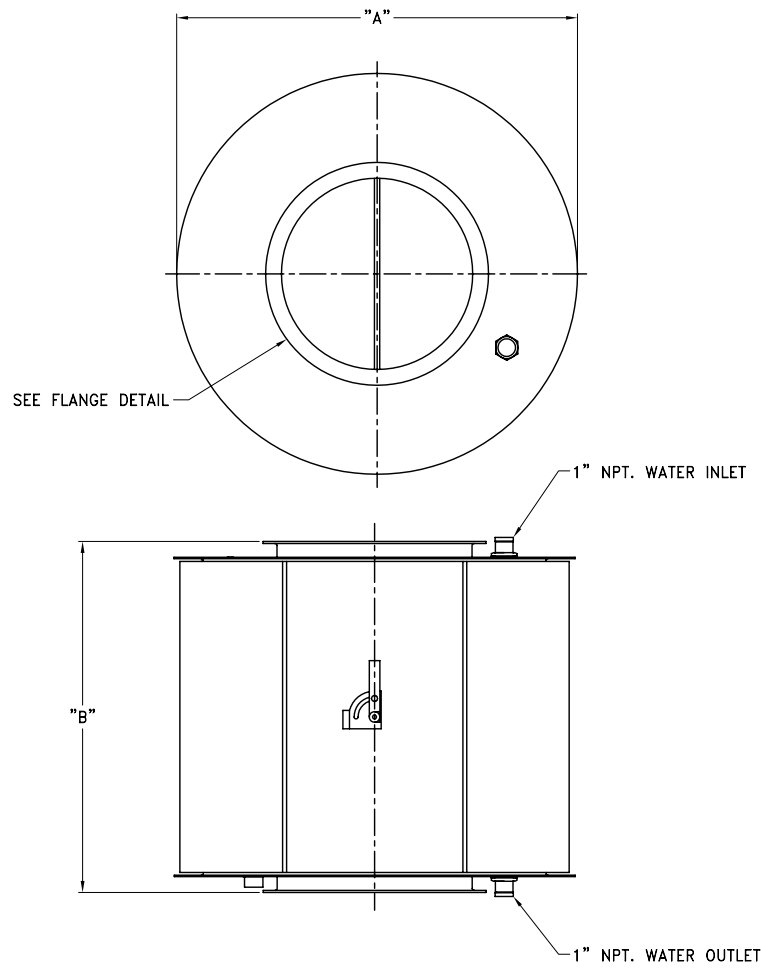
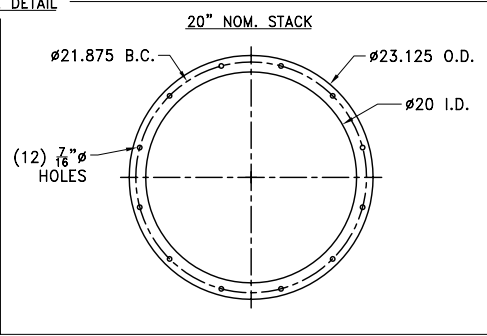
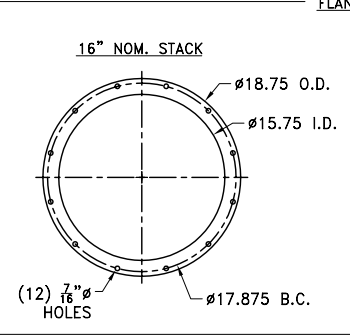
THIS DRAWING IS PROPERTY OF CLEAVER-BROOKS, INC. IT IS SUBJECT TO CHANGE WITHOUT NOTICE, AND IS NOT TO BE COPIED OR USED IN ANY WAY DETRIMENTAL TO THE COMPANY. SUGGESTIONS AND INFORMATION CONTAINED ON THIS DRAWING ARE NOT INTENDED TO SUPPLANT LOCAL CODES.

4 | 3 | 2 | 1

	"A"	"B"
MODEL	DIAMETER	HEIGHT
CCE-166	32	17
CCE-168	32	21
CCE-16A	32	25
CCE-16B	32	29
CCE-16C	32	33
CCE-16D	32	37
CCE-16E	32	41
CCE-16F	32	45
CCE-186	38	17
CCE-188	38	21
CCE-18A	38	25
CCE-18B	38	29
CCE-18C	38	33
CCE-18D	38	37
CCE-18E	38	41
CCE-18F	38	45
CCE-18G	38	49
CCE-208	38	21
CCE-20A	38	25
CCE-20B	38	29
CCE-20C	38	33
CCE-20D	38	37
CCE-20E	38	41
CCE-20F	38	45
CCE-20G	38	49
CCE-20H	38	53



FLANGE DETAIL



REVISIONS	

CCE_16-20.PDF
SHT 01 OF 01

SCALE	N.T.S.
DATE	
DRAWN	
SIZE	B

CLEAVER-BROOKS
The power of commitment.™

ECONOMIZER

MODEL CCE-16, CCE-18 & CCE-20

DRWG. NO. 00

D
C
B
A