

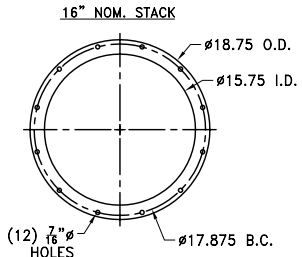
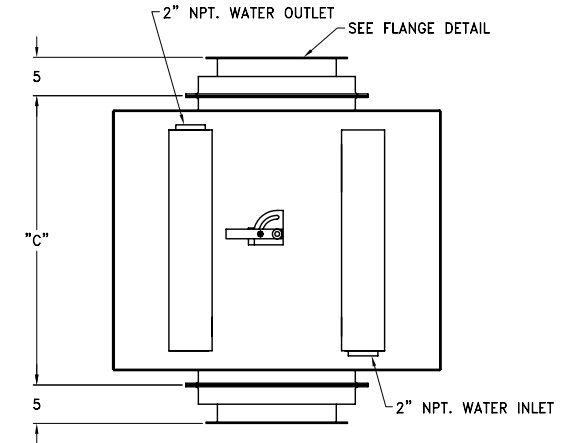
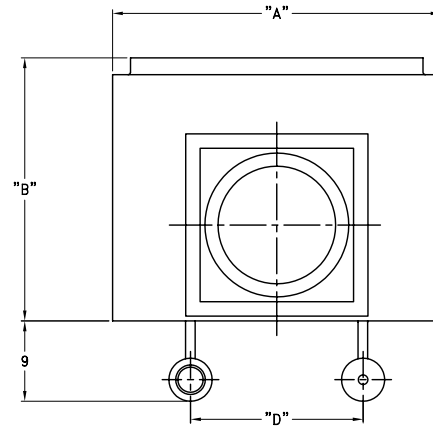
4

3

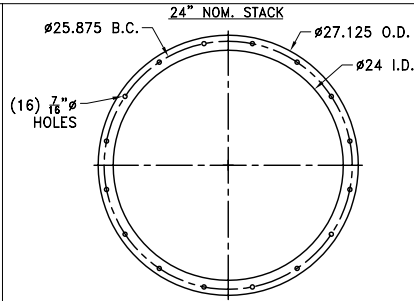
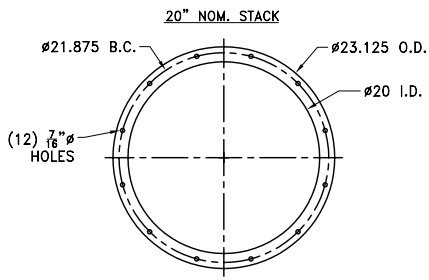
2

1

MODEL	"A"	"B"	"C"	"D"
CRE-168	34	27	25	18
CRE-16A	34	27	29.2	18
CRE-16B	34	27	33.3	18
CRE-16C	34	27	37.4	18
CRE-18A	36	29	29.2	20
CRE-18B	36	29	33.3	20
CRE-18C	36	29	37.4	20
CRE-18D	36	29	41.5	20
CRE-20C	40	32	39.4	22
CRE-20D	40	32	41.5	22
CRE-20E	40	32	45.7	22
CRE-20F	40	32	49.8	22
CRE-24B	44	36	33.3	26
CRE-24C	44	36	37.4	26
CRE-24D	44	36	41.5	26
CRE-24E	44	36	45.7	26
CRE-24F	44	36	49.8	26
CRE-24G	44	36	53.9	26
CRE-24H	44	36	58.9	26
CRE-24I	44	36	62.1	26
CRE-24J	44	36	66.2	26
CRE-24K	44	36	70.9	26
CRE-30C	52	43	37.4	32
CRE-30D	52	43	41.5	32
CRE-30E	52	43	45.7	32
CRE-30F	52	43	50.0	32
CRE-30G	52	43	54.3	32
CRE-30H	52	43	58.3	32
CRE-30I	52	43	62.7	32
CRE-30J	52	43	66.9	32
CRE-30K	52	43	70.9	32



FLANGE DETAIL



D
C
B
A

THIS DRAWING IS PROPERTY OF CLEAVER-BROOKS, INC. IT IS SUBJECT TO CHANGE WITHOUT NOTICE, AND IS NOT TO BE COPIED OR USED IN ANY WAY DETRIMENTAL TO THE COMPANY. SUGGESTIONS AND INFORMATION CONTAINED IN THIS DRAWING ARE NOT INTENDED TO SUPPLANT LOCAL CODES.

REVISIONS	

SCALE
N.T.S.
DATE
DRAWN
SIZE
B

CRE_16-30_NO-TR.PDF
SHT 01 OF 01

CLEAVER-BROOKS
The power of commitment.™

ECONOMIZER
MODEL CRE-16 THRU CRE-30

DRWG. NO. 00