

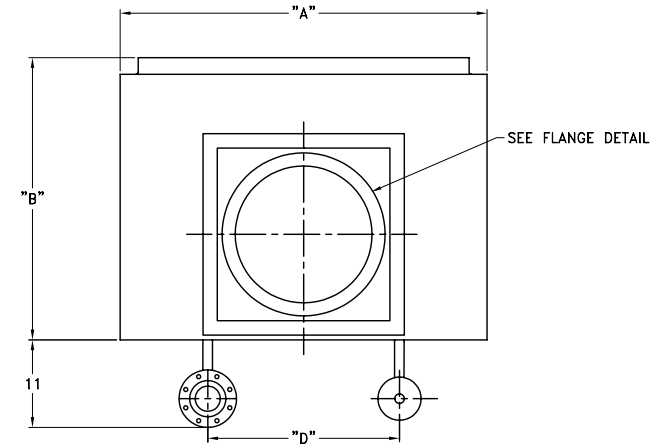
4

3

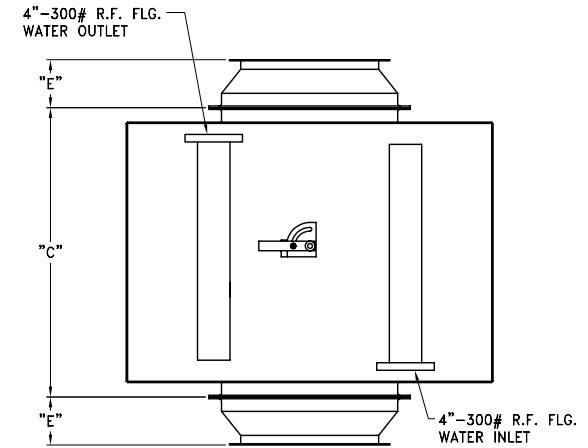
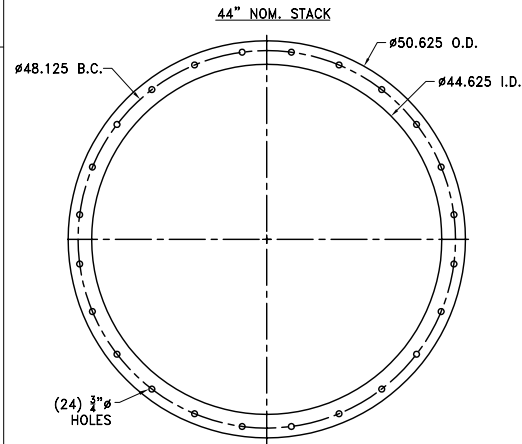
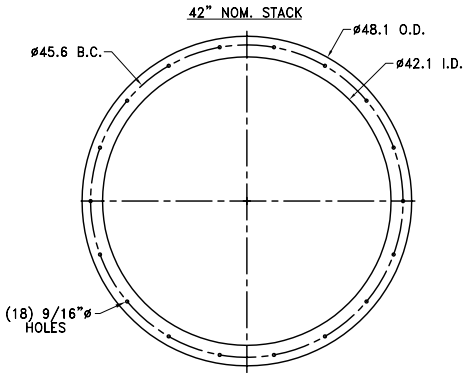
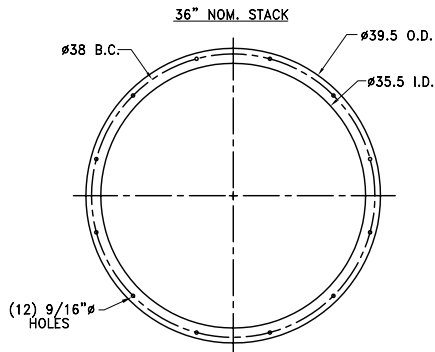
2

1

MODEL	"A"	"B"	"C"	"D"	"E" (36" VENT)	"E" (42" VENT)	"E" (44" VENT)
CRE-66I	106	90	64.9	68	20	17	16
CRE-66J	106	90	69.1	68	20	17	16
CRE-66K	106	90	73.2	68	20	17	16
CRE-66L	106	90	77.4	68	20	17	16
CRE-66M	106	90	81.6	68	20	17	16
CRE-66N	106	90	85.1	68	20	17	16
CRE-66O	106	90	90.0	68	20	17	16
CRE-66P	106	90	94.2	68	20	17	16
CRE-72I	114	96	62.5	74	N/A	20	19
CRE-72J	114	96	66.7	74	N/A	20	19
CRE-72K	114	96	70.9	74	N/A	20	19
CRE-72L	114	96	75.1	74	N/A	20	19
CRE-72M	114	96	79.3	74	N/A	20	19
CRE-72N	114	96	83.4	74	N/A	20	19
CRE-72O	114	96	87.6	74	N/A	20	19
CRE-72P	114	96	91.8	74	N/A	20	19
CRE-72Q	114	96	95.9	74	N/A	20	19
CRE-72R	114	96	100.1	74	N/A	20	19
CRE-72S	114	96	104.3	74	N/A	20	19
CRE-72T	114	96	108.5	74	N/A	20	19



FLANGE DETAIL



THIS DRAWING IS PROPERTY OF CLEAVER-BROOKS, INC. IT IS SUBJECT TO CHANGE WITHOUT NOTICE, AND IS NOT TO BE COPIED OR USED IN ANY WAY DETRIMENTAL TO THE COMPANY. SUGGESTIONS AND INFORMATION CONTAINED ON THIS DRAWING ARE NOT INTENDED TO SUPPLANT LOCAL CODES.

REVISIONS

CRE_66-72_TR.PDF

SHT 01 OF 01

SCALE
N.T.S.

DATE

DRAWN

SIZE

B

CLEAVER-BROOKS
The power of commitment.™
ECONOMIZER
MODEL CRE-66 & CRE-72

DRWG. NO.

00