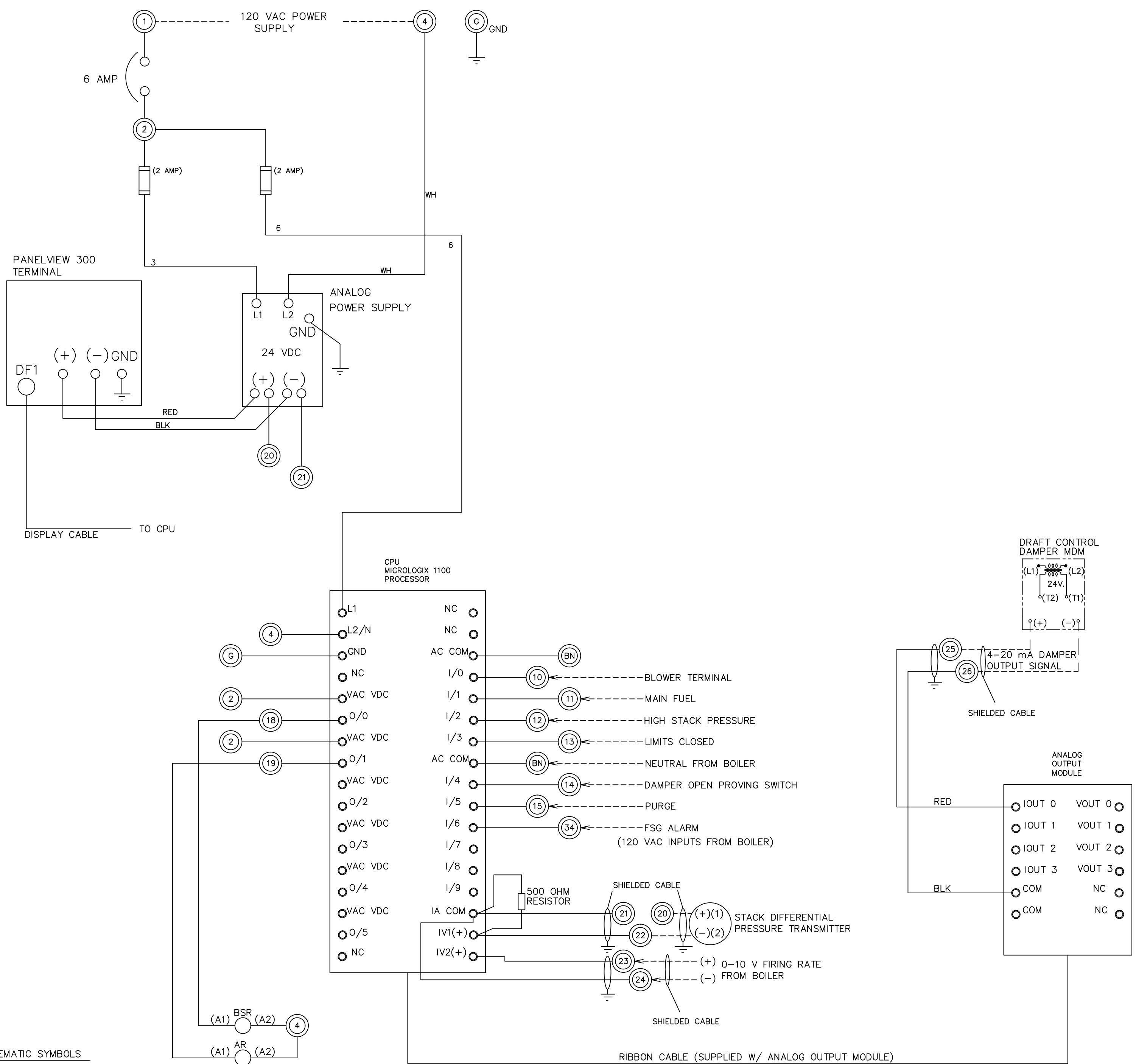
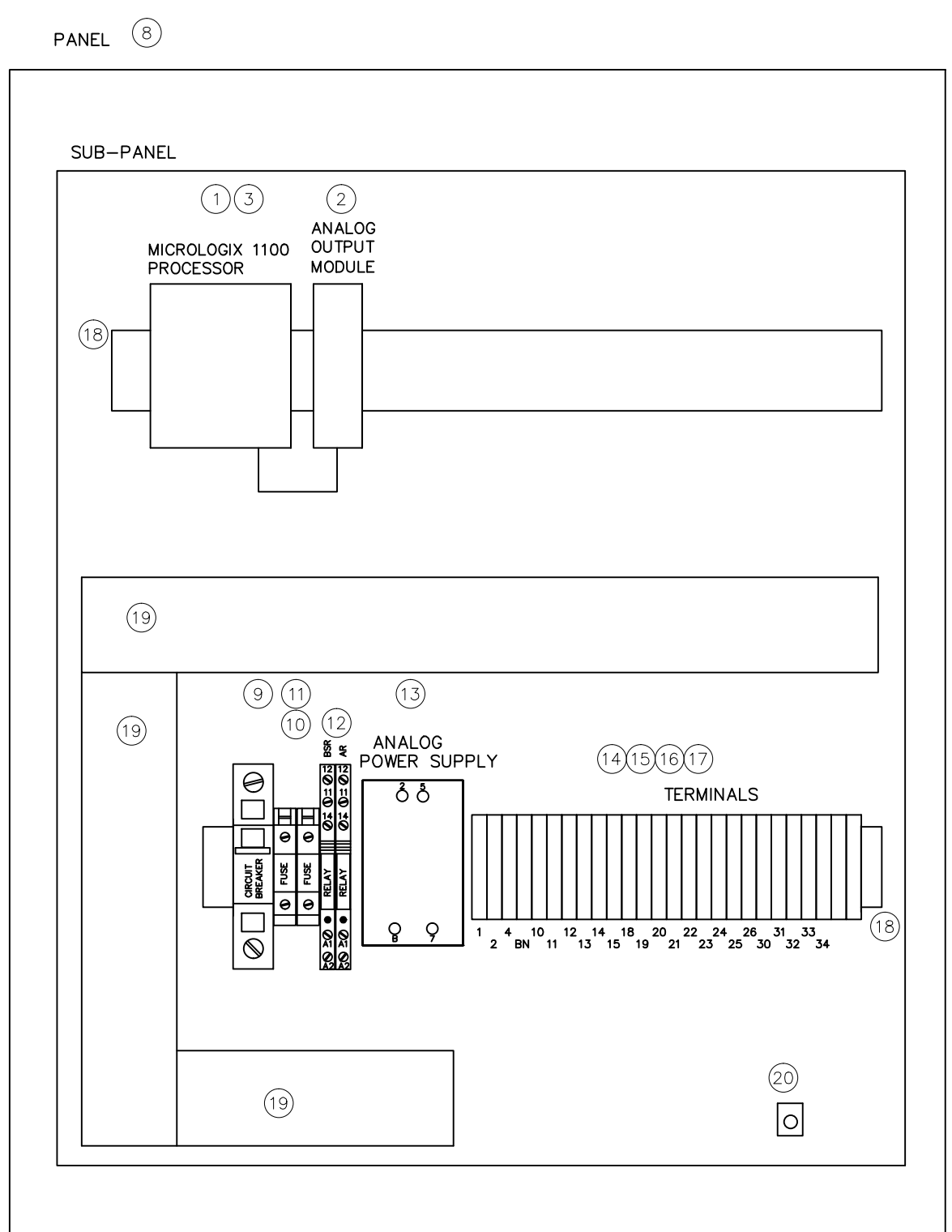
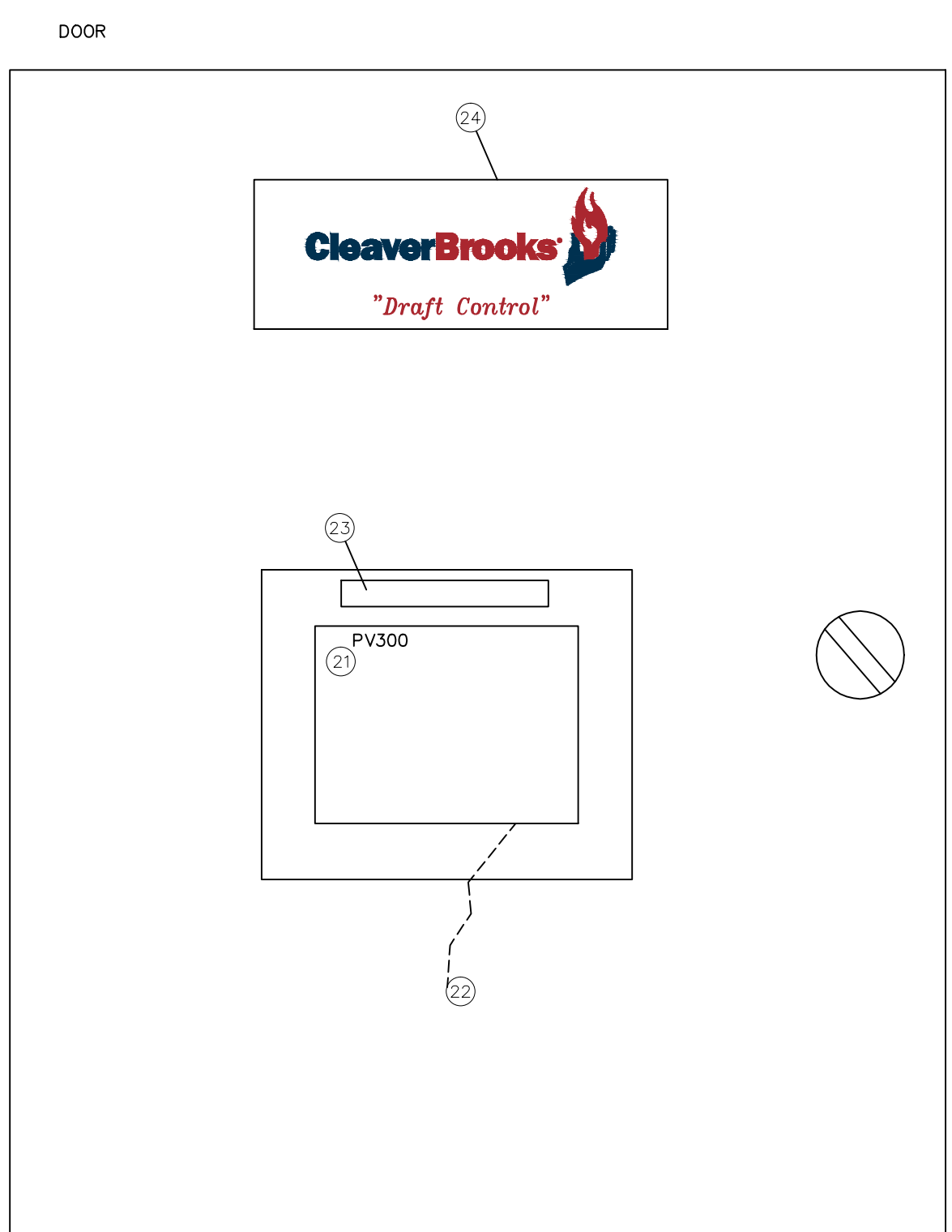
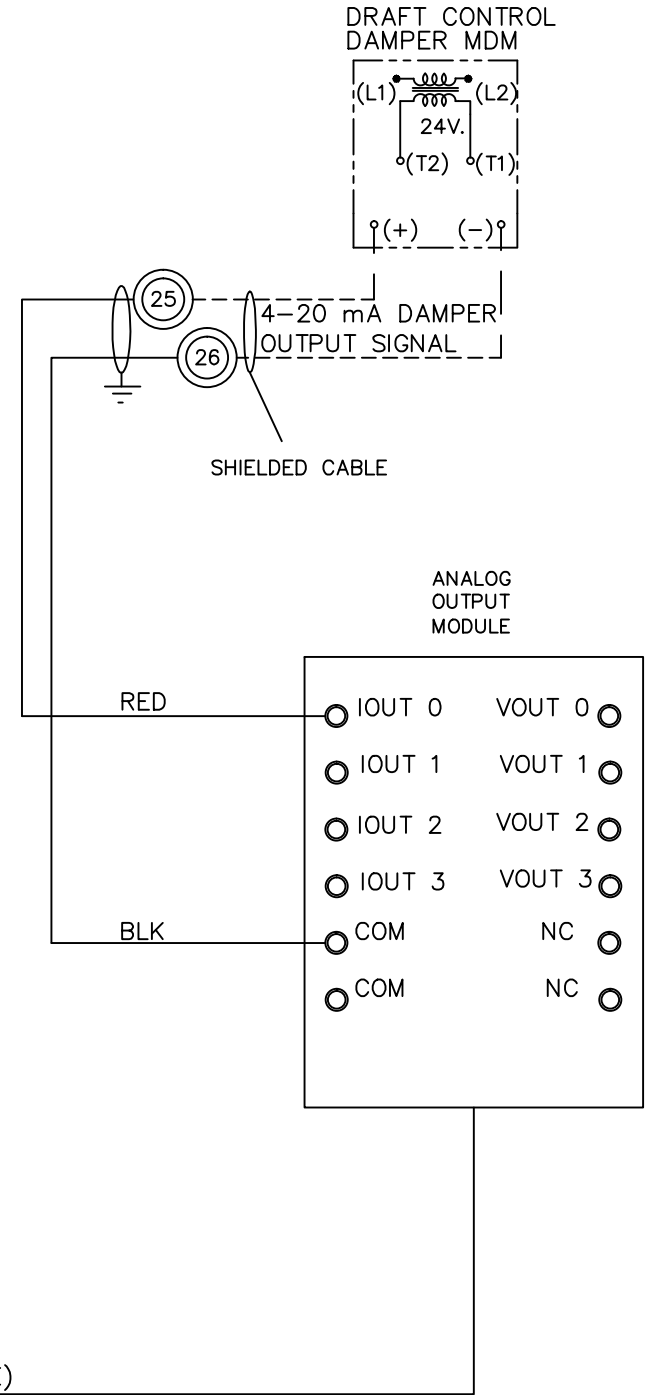
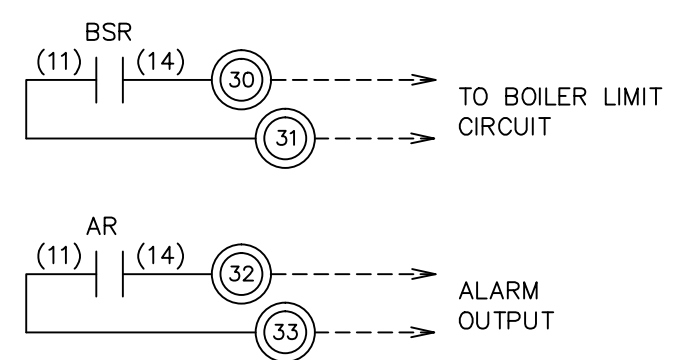


7 | 6 | 5 | 4 | 3 | 2 | 1



- SCHEMATIC SYMBOLS**
- DENOTES DRAFT CONTROL PANEL TERMINAL
 - () DENOTES TERMINAL DESIGNATION ON DEVICE
 - SHIELDED CABLE
 - * CLEAVER-BROOKS DIVISION DOES NOT FURNISH

CIRCUIT NUMBERS NOT USED - 5,7,8,9,16,17, 27,28,29
 LAST CIRCUIT NUMBER USED - 34



Item	Qty.	Part Number	Description
1	1	833-03166	PLC, Micro Logix 1100, AB #1763-L16AWA
2	1	833-03167	Analog Output Module, AB #1762-OF4
3	1	832-02204	500 OHM RESISTOR
4	1	Not Used	
5	1	Not Used	
6	1	Not Used	
7	1	Not Used	
8	1	848-00943	Cabinet, Nema 1, 20x16x8 W/ Sub-Panel
9	1	983-00083	Circuit Breaker, 6A
10	2	848-01321	Fuse Block, 1492-WFB4
11	2	832-02051	Fuse, 2A
12	2	833-03060	Relay
13	1	832-02037	Power Supply, 24VDC, 2.1A, #1606-XLP50E
14	24	832-02326	Terminal Block, 1492-J4
15	2	832-02259	Terminal Block Ground, 1492-JG3
16	2	832-02248	Terminal End Block, 1492-EAJ35
17	1	832-02249	Two Pole Jumper, 1492-CJLJ5-2
18	1	832-01951	Din Rail
19	1	832-02047	Wire Duct
20	1	884-00078	Ground Lug
21	1	833-02839	Panel View PV300, 2711-M3A18L1
22	1	826-00138	PV300 Cable
23	1	118-03641	Label,draft Control 3" Panelview
24	1	118-03639	Cleaver-Brooks Nameplate
25	1	118-03789	LABEL,UL,STAND ALONE DRAFT CONTROL SYSTEM,ACCU-DRAFT

NOTE: ITEM 25, ACCU-DRAFT UL LABEL TO BE APPLIED TO INSIDE OF CABINET

THIS DRAWING IS PROPERTY OF CLEAVER-BROOKS, INC. IT IS SUBJECT TO CHANGE WITHOUT NOTICE, AND IS NOT TO BE COPIED OR USED IN ANY WAY DETRIMENTAL TO THE COMPANY.

L
D
C
B
A

REVISIONS
EN# 38676-X
DATE 01/17/06
ADDED ITEM #23 & #4, AND ITEM #4, REVISION P/N 832-02204, AND ADDED 832-02204, AND ITEM #2, REVISION P/N 832-02204, AND ADDED P/N 832-02204, EN# 38676-DD
02 13/13/06 [DH]
QTY OF ITEM #14 WAS 23, ADDED #24 TERMINAL AND 2400 AMP SUPPLY TO AMP, EN# 38676-PP
03 1-31-08 [DD]
ITEM #4 WAS 832-2247, EN 39427-DD
04 1-31-08 [SWC]
ADDED ITEM 25, ADDED NOTE 1, EN 39900-T
05 1-31-08 [SWC]
REMOVED ITEM 25, EN 40124-WW
06 08-02-10 [SWC]
ADDED ITEM 25, EN 40350-S

283 03337	ALL MATERIAL SIZES ON BILL OF MATERIAL ARE FOR REFERENCE ONLY. DRAWING DIMENSIONS MUST BE FOLLOWED. TOLERANCE, UNLESS OTHERWISE SPECIFIED:	SCALE N.T.S.
	FRACTIONAL ± DECIMAL ± HOLE LOCATIONS ± DRILLED, PUNCHED OR SLOTTED HOLES ± .010	DATE 10/12/05
SHT 01 OF 01	DRAWN TAN	
SIZE D	<p>PANEL, DRAFT CONTROL STAND ALONE MICROLOGIX</p>	
		DRWG. NO. 283 03337