

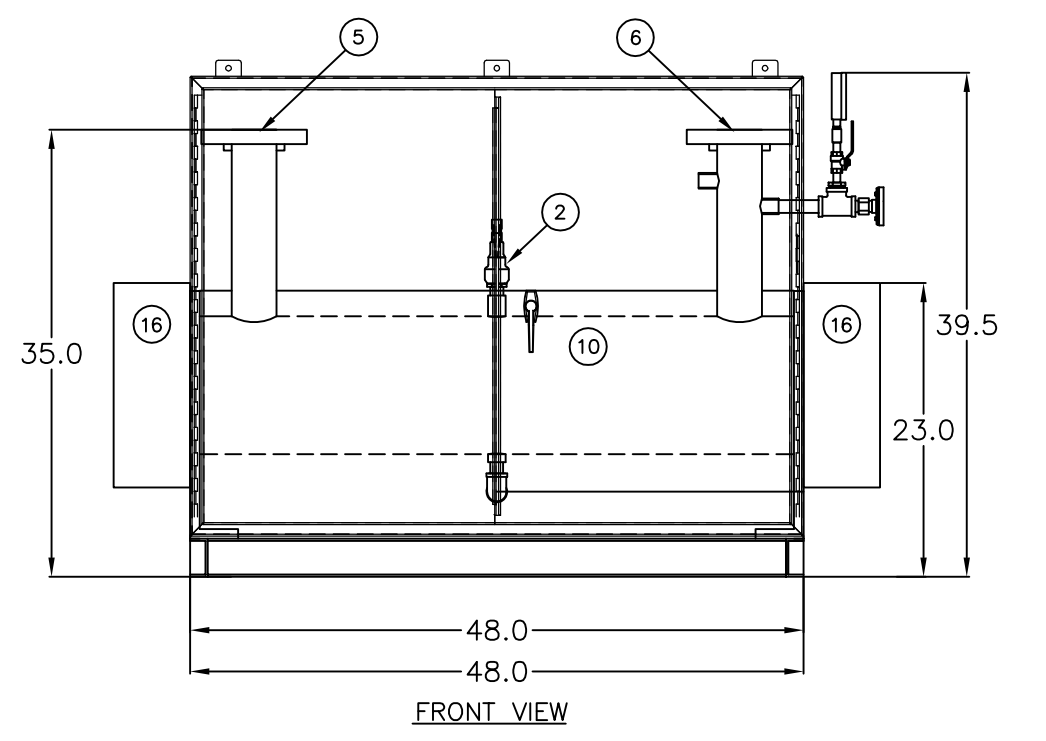
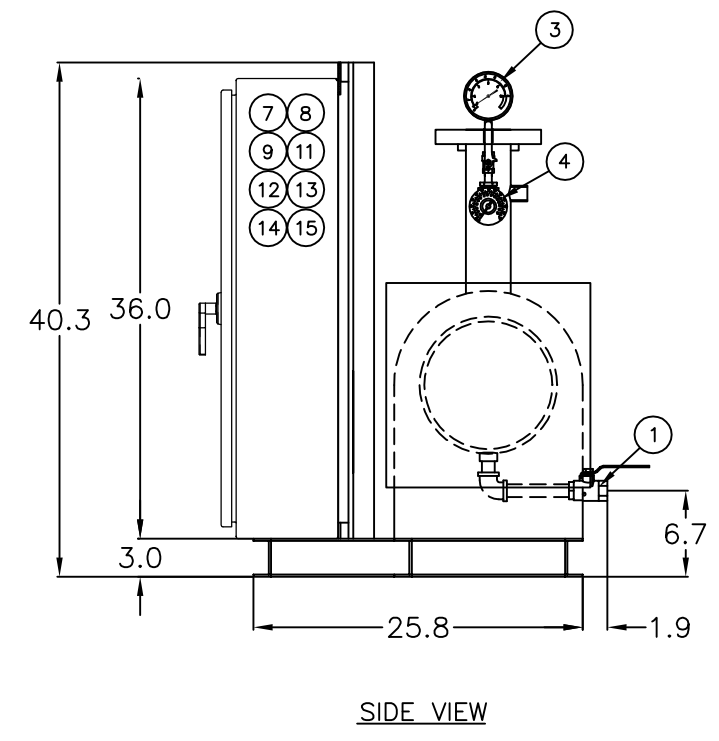
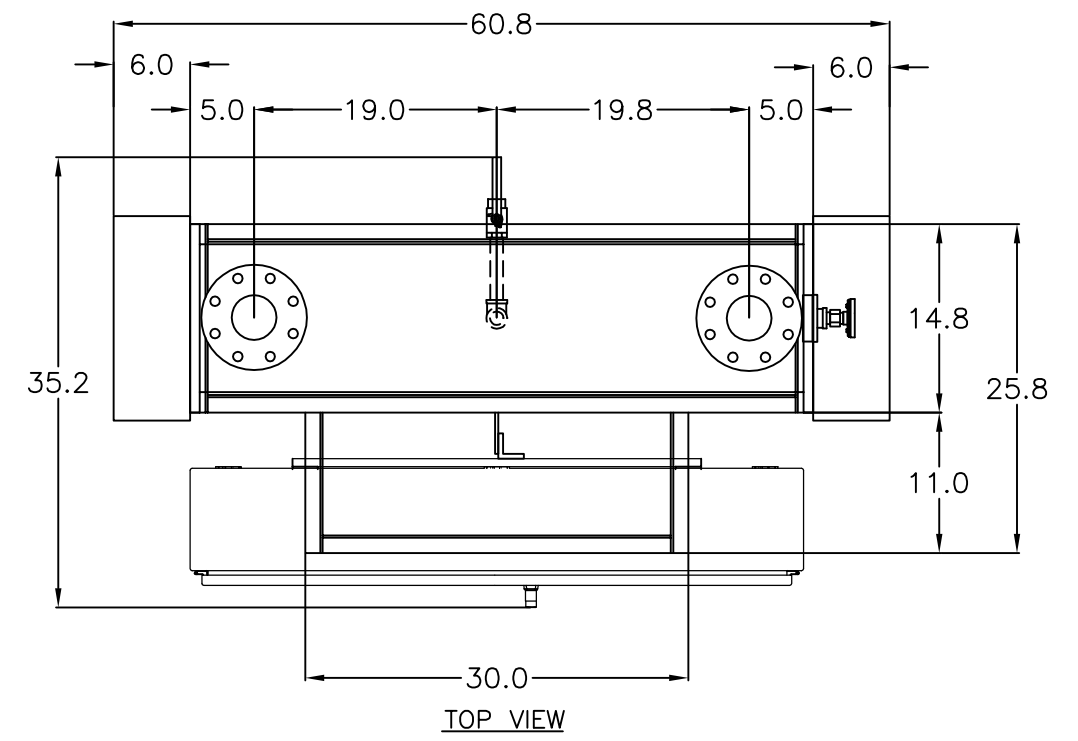
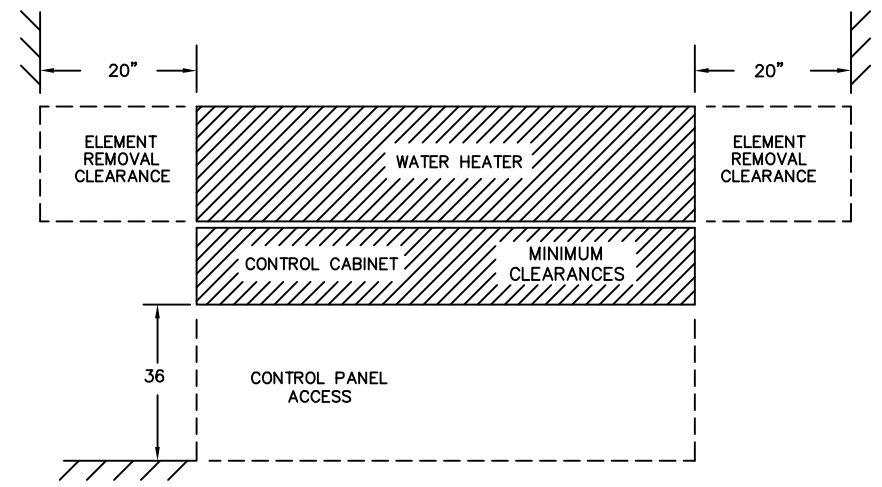
THIS DRAWING IS PROPERTY OF CLEAVER-BROOKS, INC. IT IS SUBJECT TO CHANGE WITHOUT NOTICE, AND IS NOT TO BE COPIED OR USED IN ANY WAY DETRIMENTAL TO THE COMPANY.

4 | 3 | 2 | 1

ITEM	DESCRIPTION/MATERIAL
1	DRAIN VALVE, BALL, 3/4" NPT (SHIPPED LOOSE)
2	SAFETY RELIEF VALVE SET @ 160PSI (SHIPPED LOOSE)
3	PRESSURE GAUGE (SHIPPED LOOSE)
4	THERMOMETER (SHIPPED LOOSE)
5	WATER INLET - 3" 150 LB FLG
6	WATER OUTLET - 3" 150 LB FLG
7	POWER SWITCH
8	PILOT LIGHT, WHITE (CONTROL POWER "ON")
9	PILOT LIGHT, RED (COMMON ALARM)
10	LOW WATER CUTOFF, WARRICK PROBE
11	ALARM HORN WITH SILENCER
12	STEP LIGHTS, AMBER
13	MANUAL RESET HIGH TEMPERATURE CUTOFF
14	AUXILIARY AUTO HIGH TEMPERATURE CUTOFF
15	5 STEPS @ 60 kW, 1 SCR @ 60 kW
16	ELEMENT ACCESS PANEL
17	WATER FLOW SWITCH (SHIPPED LOOSE)

GENERAL NOTES

- 1) Heater to be constructed per ASME Boiler and Pressure Vessel Code, Section IV, "H" stamped and National Board registered.
- 2) Heater to comply with NEC and cULus requirements.
- 3) Heater to be wrapped with 4" fiberglass insulation.



CAUTION

DIMENSIONS SHOWN ARE APPROXIMATE AND SHOULD NOT BE USED IN RESTRICTIVE LAYOUTS OR TO PREFABRICATE ASSEMBLIES UNLESS CLEAVER-BROOKS HAS BEEN CONSULTED. IT IS STRONGLY RECOMMENDED THAT THE CUSTOMER REQUEST AS-BUILT CERTIFIED DRAWINGS FOR THESE CASES.

BOILER MAY BE SHOWN WITH OPTIONAL EQUIPMENT IN LUEI OF STANDARD COMPONENTS.

REVISIONS	SPECIFICATIONS
	PRESSURE: DESIGN <u>160</u> MAX OPER <u>250</u> F KW <u>360</u> AT <u>600</u> / <u>3</u> / <u>60</u> <u>36</u> ELEMENTS AT <u>10</u> KW <u>78</u> WSI INCOLOY RELIEF VALVE SET PRESSURE <u>160</u> PSI

SAMPLE	DIMENSIONAL DRAWING	
	SCALE	N.T.S.
	DATE	3/24/10
SIZE	01 OF 01	

CleaverBrooks®				
IWH	022	360	160HW	GALLONS
TYPE	SIZE	KW	PRESSURE	NO
600	3	60	3	INSURANCE
VOLTS	PHASE	HERTZ	WIRE	
DRWG. NO. SAMPLE				00