

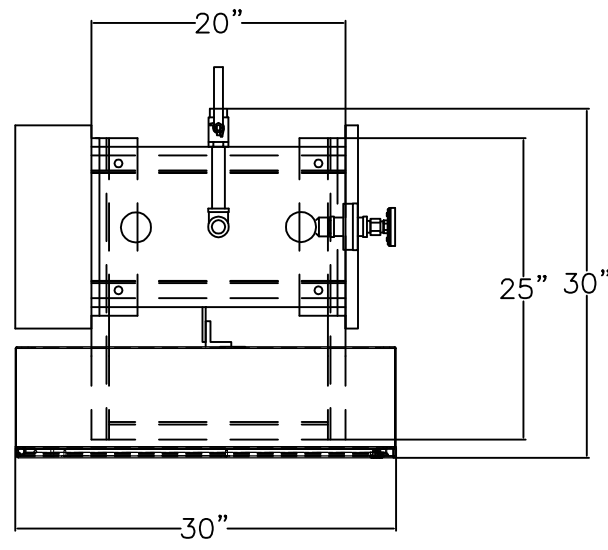
THIS DRAWING IS PROPERTY OF CLEAVER-BROOKS, INC. IT IS SUBJECT TO CHANGE WITHOUT NOTICE, AND IS NOT TO BE COPIED OR USED IN ANY WAY DETRIMENTAL TO THE COMPANY. SUGGESTIONS AND INFORMATION CONTAINED ON THIS DRAWING ARE NOT INTENDED TO SUPPLANT LOCAL CODES.

4

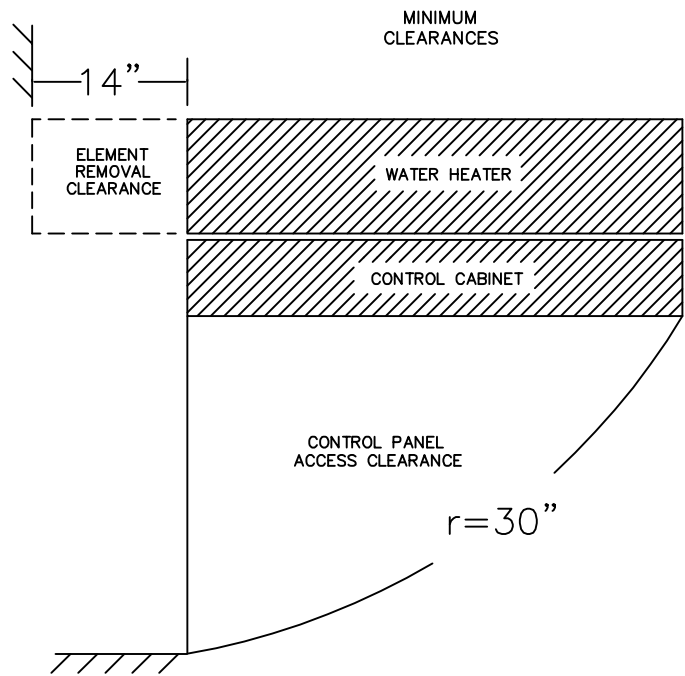
3

2

1



TOP VIEW



MINIMUM CLEARANCES

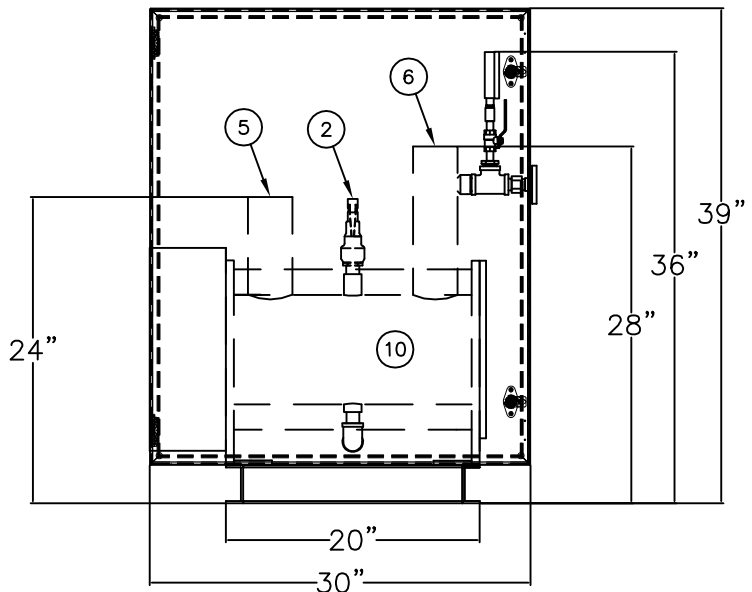
ELEMENT REMOVAL CLEARANCE

WATER HEATER

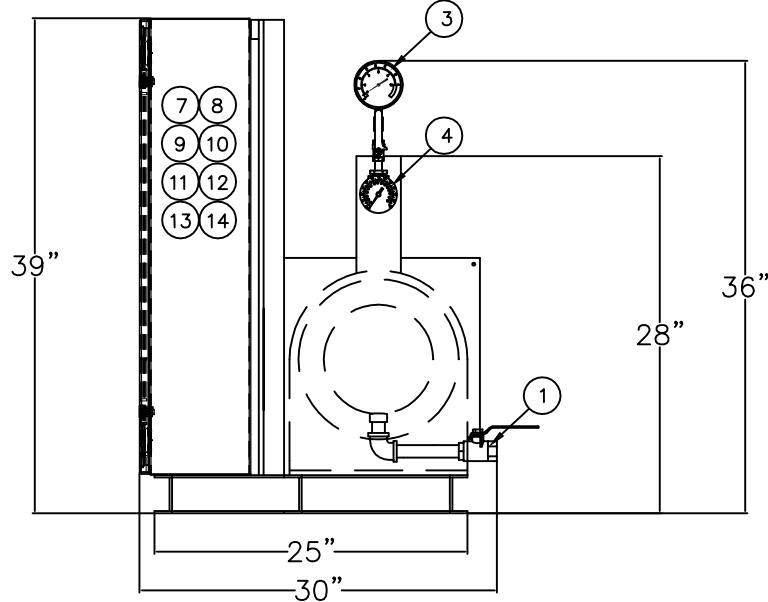
CONTROL CABINET

CONTROL PANEL ACCESS CLEARANCE

r=30"



FRONT VIEW



SIDE VIEW

ITEM	DESCRIPTION/MATERIAL
1	DRAIN VALVE, BALL, 3/4" NPT
2	SAFETY RELIEF VALVE SET @ 160PSI (SHIPPED LOOSE)
3	PRESSURE GAUGE
4	THERMOMETER
5	WATER INLET - 3" NPT
6	WATER OUTLET - 3" NPT
7	POWER SWITCH
8	PILOT LIGHT, WHITE (CONTROL POWER "ON")
9	PILOT LIGHT, RED (COMMON ALARM)
10	LOW WATER CUTOFF, WARRICK PROBE
11	WATER FLOW SWITCH (SHIPPED LOOSE)
12	STEP LIGHTS, AMBER
13	MANUAL RESET HIGH TEMPERATURE CUTOFF
14	AUXILIARY AUTO HIGH TEMPERATURE CUTOFF

GENERAL NOTES	
1) Heater to be constructed per ASME Boiler and Pressure Vessel Code, Section IV, "H" stamped and National Board registered.	
2) Heater to comply with NEC and cULus requirements.	
3) Heater to be wrapped with 2" fiberglass insulation.	

**CAUTION**

DIMENSIONS SHOWN ARE APPROXIMATE AND SHOULD NOT BE USED IN RESTRICTIVE LAYOUTS OR TO PREFABRICATE ASSEMBLIES UNLESS CLEAVER-BROOKS HAS BEEN CONSULTED. IT IS STRONGLY RECOMMENDED THAT THE CUSTOMER REQUEST AS-BUILT CERTIFIED DRAWINGS FOR THESE CASES.

BOILER MAY BE SHOWN WITH OPTIONAL EQUIPMENT IN LUEI OF STANDARD COMPONENTS.

REVISIONS	SPECIFICATIONS
	PRESSURE: DESIGN <u>160</u> MAX OPER <u>250</u> F KW <u>60</u> AT <u>480</u> / <u>3</u> / <u>60</u> <u>12</u> ELEMENTS AT <u>5</u> KW <u>75</u> WSI INCOLOY RELIEF VALVE SET PRESSURE <u>160</u> PSI

SAMPLE	DIMENSIONAL DRAWING
	SHT 01 OF 01

SCALE		<b>CLEAVER-BROOKS</b> <i>The power of commitment.™</i>			
N.T.S.					
DATE					
4/4/2011					
DRAWN					
SIZE					
IWH TYPE	811 SIZE	60 KW	160HW PRESSURE	GALLONS	
480 VOLTS	3 PHASE	60 HERTZ	3 WIRE	NO INSURANCE	
DRWG. NO.		SAMPLE			00

D  
C  
B  
A