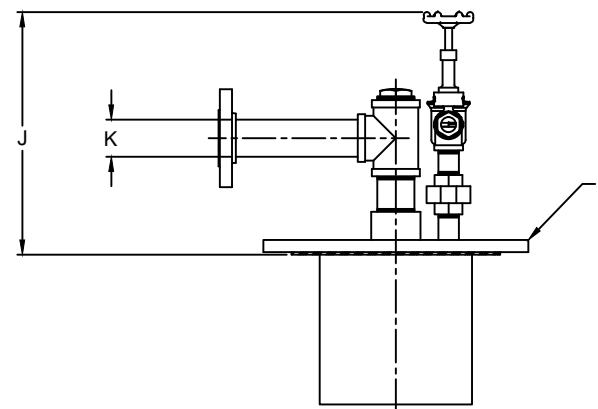


SPRAYMASTER SPRAYHEAD ENVELOPES

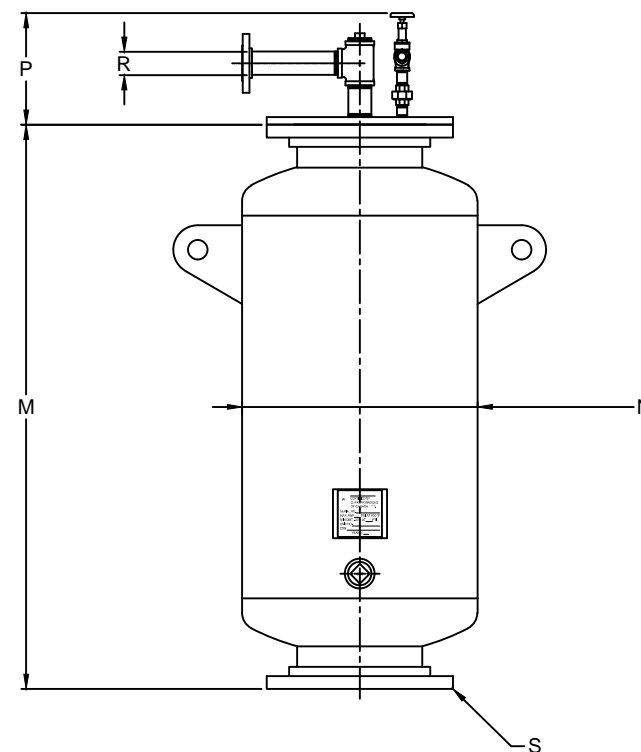
PRODUCT ►		SM-7	SM-15	SM-30	SM-45	SM-70	SM-100	SM-140
J	SPRAYHEAD HEIGHT	11	12	13	13	14	15	16
K	INLET SIZE	1"	1-1/2"	2"	2"	2-1/2"	3"	4"
L	FLANGE SIZE	8"-150#	8"-150#	12"-150#	12"-150#	12"-150#	12"-150#	14"-150#



TYPICAL SPRAYHEAD

BOILERMATE COLUMN ENVELOPES

PRODUCT ►		BM-8	BM-12	BM-16	BM-20	BM-24	BM-30	BM-36	BM-42
M	COLUMN HEIGHT	41	43	53	55	58	64	69	71
N	MAXIMUM COLUMN DIAMETER	8	12	16	20	24	30	36	42
P	SPRAYHEAD HEIGHT	12	12	12	12	12	12	16	16
R	INLET SIZE	1-1/4"	1-1/2"	1-1/2"	2"	2"	2-1/2"	3"	4"
S	FLANGE SIZE	12"-150#	12"-150#	12"-150#	12"-150#	12"-150#	12"-150#	12"-150#	14"-150#



TYPICAL COLUMN

THIS DRAWING IS PROPERTY OF CLEAVER-BROOKS DIVISION. IT IS SUBJECT TO CHANGE WITHOUT NOTICE, AND IS NOT TO BE COPIED OR USED IN ANY WAY DETRIMENTAL TO THE COMPANY.

REVISIONS
 00 | 13/01/2015 | PGM
 INITIAL RELEASE
 EN 41876-GG
 01 | 06/11/2015 | PGM
 CREATED NEW SHEETS
 ADDED BFS
 EN 42268A

CAUTION

DIMENSIONS SHOWN ARE APPROXIMATE AND SHOULD NOT BE USED IN RESTRICTIVE LAYOUTS OR TO PREFABRICATE ASSEMBLIES UNLESS CLEAVER-BROOKS HAS BEEN CONSULTED. IT IS STRONGLY RECOMMENDED THAT THE CUSTOMER REQUEST AS-BUILT CERTIFIED DRAWINGS FOR THESE CASES.

WARNING

LIFTING LUGS PROVIDED ON THE VESSEL SHALL ONLY BE USED TO LIFT THE VESSEL WHEN IT IS DRY.

WARNING

CHANGES, MODIFICATIONS OR ALTERATIONS ARE STRICTLY PROHIBITED.

CHANGES TO THIS DRAWING AND SUBSEQUENT MODIFICATION OF EQUIPMENT COULD RESULT IN DAMAGE TO THE EQUIPMENT AND/OR SERIOUS PERSONAL INJURY.

146-02144-000

APPLICABILITY:
 SPRAYMASTER
 BOILERMATE

SIZE
 D

SHT 05 OF 05

SCALE
 N.T.S.

DATE
 12/01/2014

DRAWN
 PGM

CleaverBrooks

STANDARD FEEDWATER
 DIMENSION ENVELOPES

DRWG. NO. 146-02144-000

01