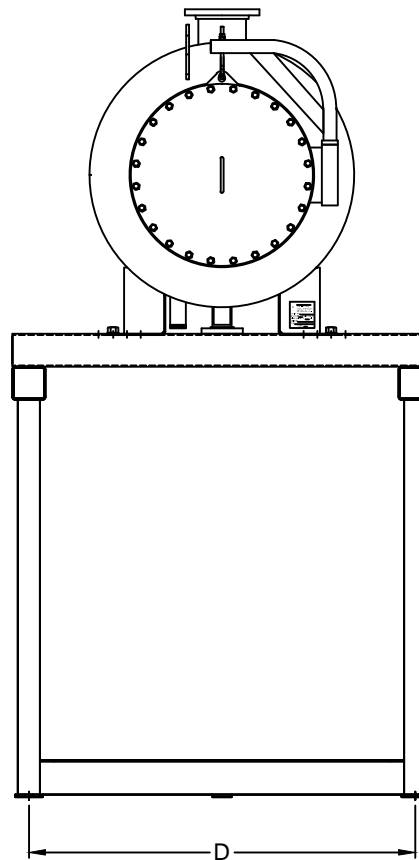


TANK AND STAND ENVELOPES

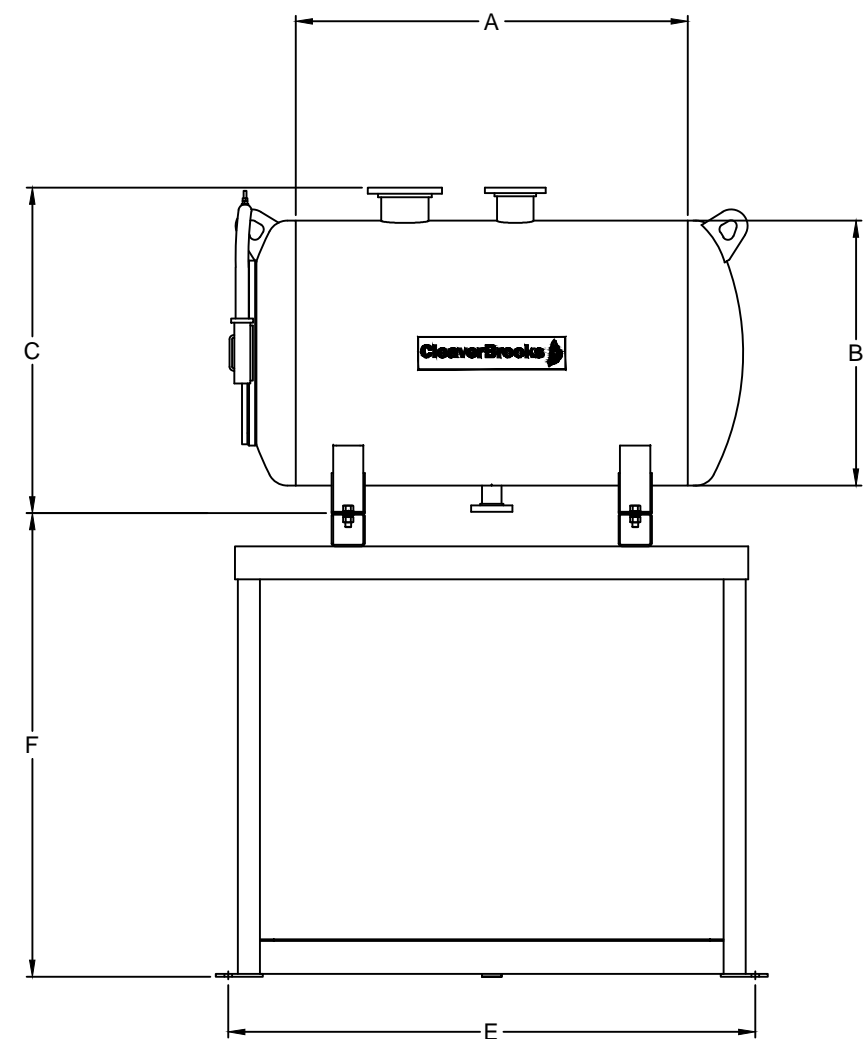
PRODUCT ▶		SPRAYMASTER DEAERATORS								
MODEL ▶		SM-260	SM-300	SM-415	SM-610	SM-840	SM-1105	SM-1400	SM-1600	SM-2000
MANWAY		28 ▶ 32	28 ▶ 32	28 ▶ 32	28 ▶ 32	28 ▶ 32	28 ▶ 32	28 ▶ 32	28 ▶ 32	28 ▶ 32
SPRAYHEAD RANGE / COLUMN RANGE		SM-15 ▶ 100	SM-15 ▶ 100	SM-15 ▶ 100	SM-15 ▶ 100	SM-30 ▶ 100	SM-30 ▶ 100	SM-30 ▶ 100	SM-30 ▶ 140	SM-30 ▶ 140
MAXIMUM NUMBER OF PUMPS		4				6				
A	SEAM-TO-SEAM	59	71	71	95	95	95	95	95	95
B	TANK DIAMETER	48	48	54	54	60	66	72	78	84
C	TANK HEIGHT	59	59	65	65	71	77	74	89	95
D	END ANCHORS	1-2 PUMPS: 51-1/2 3-4 PUMPS: 59-1/2	78	78	78	78	78	92	92	92
E	FRONT ANCHORS	1-2 PUMPS: 59-1/2 3-4 PUMPS: 76-1/2	115-1/2	115-1/2	≤4 PUMPS: 101-1/2 5-6 PUMPS: 148-1/2	≤4 PUMPS: 101-1/2 5-6 PUMPS: 148-1/2	≤4 PUMPS: 101-1/2 5-6 PUMPS: 148-1/2	≤4 PUMPS: 131-3/4 5-6 PUMPS: 181-3/4	≤4 PUMPS: 131-3/4 5-6 PUMPS: 181-3/4	≤4 PUMPS: 131-3/4 5-6 PUMPS: 181-3/4
F	MINIMUM STAND HEIGHT	DEPENDENT ON SUCTION PIPING SIZE: 6ft MINIMUM STAND HEIGHT FOR ≤2-1/2" SUCTION PIPING 7ft MINIMUM STAND HEIGHT FOR ≤4" SUCTION PIPING 8ft MINIMUM STAND HEIGHT FOR ≤6" SUCTION PIPING								

NOTE:

- 1. ALL TANK CONNECTIONS 2-1/2" AND LARGER WILL BE FLANGED
- 1. ALL PIPING 2-1/2" AND LARGER WILL BE SOCKET WELDED AND FLANGED



LEFT END ELEVATION



FRONT ELEVATION

THIS DRAWING IS PROPERTY OF CLEAVER-BROOKS DIVISION. IT IS SUBJECT TO CHANGE WITHOUT NOTICE, AND IS NOT TO BE COPIED OR USED IN ANY WAY DETRIMENTAL TO THE COMPANY.

REVISIONS	00	13/01/2015	PGM
	01	06/11/2015	PGM

INITIAL RELEASE EN 41876-GG
CREATED NEW SHEETS ADDED BFS EN 42268A

CAUTION

DIMENSIONS SHOWN ARE APPROXIMATE AND SHOULD NOT BE USED IN RESTRICTIVE LAYOUTS OR TO PREFABRICATE ASSEMBLIES UNLESS CLEAVER-BROOKS HAS BEEN CONSULTED. IT IS STRONGLY RECOMMENDED THAT THE CUSTOMER REQUEST AS-BUILT CERTIFIED DRAWINGS FOR THESE CASES.

WARNING

LIFTING LUGS PROVIDED ON THE VESSEL SHALL ONLY BE USED TO LIFT THE VESSEL WHEN IT IS DRY.

WARNING

CHANGES, MODIFICATIONS OR ALTERATIONS ARE STRICTLY PROHIBITED.

CHANGES TO THIS DRAWING AND SUBSEQUENT MODIFICATION OF EQUIPMENT COULD RESULT IN DAMAGE TO THE EQUIPMENT AND/OR SERIOUS PERSONAL INJURY.

146-02144-000

APPLICABILITY:
SPRAYMASTER - BOILERMATE
SURGE TANK
BOILER FEED SYSTEMS

SIZE D

SHT 01 OF 05

SCALE N.T.S.

DATE 12/01/2014

DRAWN PGM

CleaverBrooks

STANDARD FEEDWATER
DIMENSION ENVELOPES

DRWG. NO. 146-02144-000

00