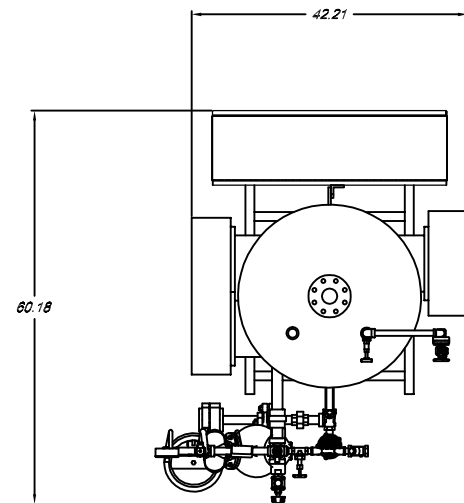


4

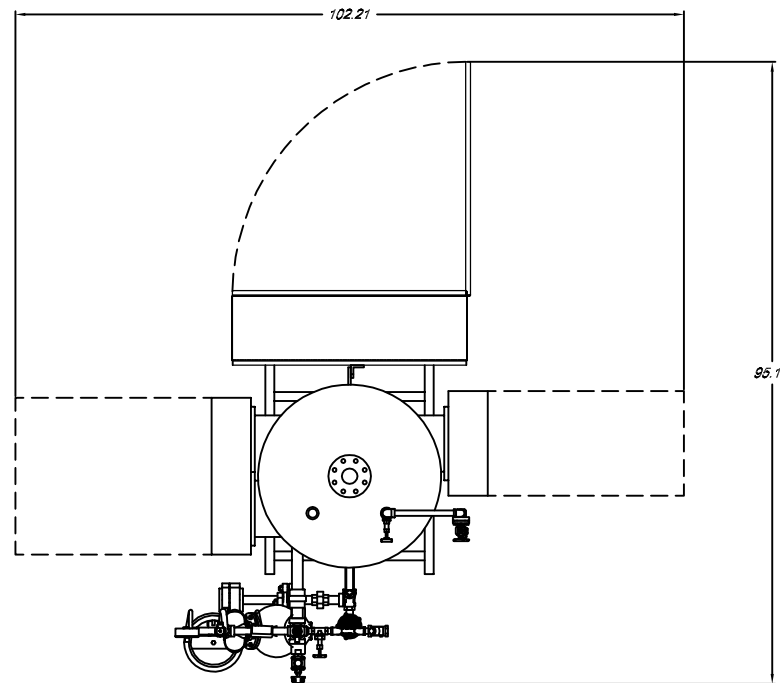
3

2

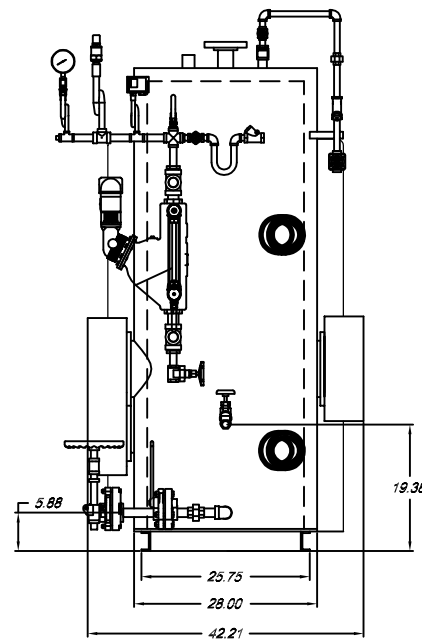
1



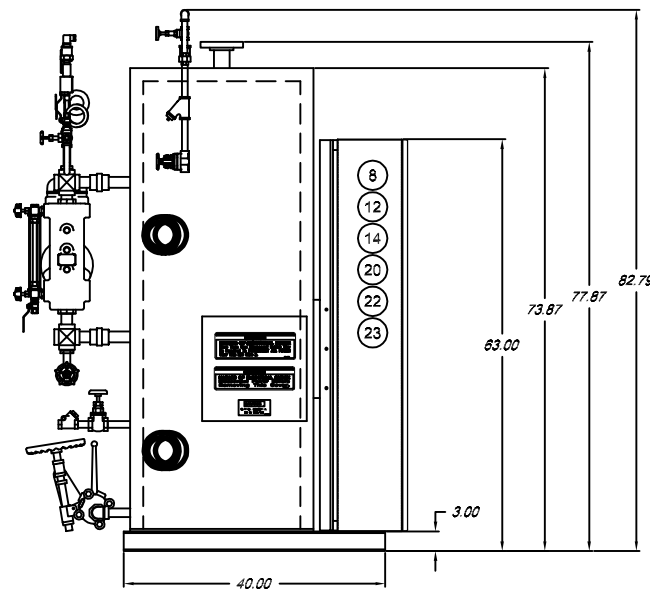
TOP VIEW



CLEARANCES



SIDE VIEW



END VIEW

ITEM	DESCRIPTION/MATERIAL
1	STEAM OUTLET - 2.0 NPS
2	SAFETY VALVE - 200 PSI (1-1/2" Outlet)
3	LOW WATER CUTOFF WATER COLUMN - McD&M 194
4	SIGHT GAUGE GLASS BLOWDOWN - 0.25 NPS
5	FEEDWATER - GLOBE VALVE 0.75 NPS
6	FEEDWATER - CHECK VALVE 0.75 NPS
7	PRESSURE TRANSMITTER
8	TOGGLE SWITCH ON/OFF STEPS
9	AUX. LOW WATER CUTOFF - WARRICK PROBE (NOT SHOWN)
10	PRESSURE CONTROL - HIGH LIMIT
11	WATER COLUMN BLOWDOWN - 0.75 NPS
12	(5) STEPS @ 30kW, (3) STEPS @ 60kW
13	ELEMENT ACCESS PANEL
14	PILOT SWITCH/ POWER LIGHT/ HIGH PRESS LIGHT/LOW WATER LIGHT
15	CONTROL PANEL DOORS
16	PRESSURE GAUGE 3.5"
17	SURFACE BLOWOFF
18	SLOW OPENING BLOWDOWN DRAIN VALVE - 1.0 NPS
19	QUICK OPENING BLOWDOWN DRAIN VALVE - 1.0 NPS
20	ALARM - 4" BELL WITH SILENCING SWITCH
21	VACUUM BREAKER
22	TIMECLOCK
23	HONEYWELL 2500 UDC CONTROLLER
24	CONDUCTIVITY CONTROL (SHIP LOOSE)
25	STEAM HEADER VALVE - 2" 300 LB FLG (SHIP LOOSE)

NOTES:

- Boiler to be constructed per ASME Boiler and Pressure Vessel Code, Section I, "S" stamped and National Board registered.
- Boiler will have a ULC labeled panel
- (a) Vessel is to be wrapped with 2" insulation with sheet metal lagging
(b) One layer of standard 2" insulation is to be on control panel back plate and rear wall of the boiler casing

CAUTION

DIMENSIONS SHOWN ARE APPROXIMATE AND SHOULD NOT BE USED IN RESTRICTIVE LAYOUTS OR TO PREFABRICATE ASSEMBLIES UNLESS CLEAVER-BROOKS HAS BEEN CONSULTED. IT IS STRONGLY RECOMMENDED THAT THE CUSTOMER REQUEST AS-BUILT CERTIFIED DRAWINGS FOR THESE CASES.

BOILER MAY BE SHOWN WITH OPTIONAL EQUIPMENT IN LUEI OF STANDARD COMPONENTS.

SPECIFICATIONS

PRESSURE: DESIGN 200PSI
 KW 330 AT 380 / 3 / 50
33 ELEMENTS AT 10 KW 67 WSI INCOLOY
 SAFETY VALVE SET PRESSURE 200 PSI

SAMPLE

DIMENSIONAL DRAWING

SHT 01 OF 01

SCALE
N.T.S.DATE
2/8/11

DRAWN

SIZE

CleaverBrooks®

S TYPE	242 SIZE	330 KW	200ST PRESSURE	GALLONS
380 VOLTS	3 PHASE	50 HERTZ	3 WIRE	N/A INSURANCE

DRWG. NO.

SAMPLE

00

THIS DRAWING IS PROPERTY OF CLEAVER-BROOKS, INC. IT IS SUBJECT TO CHANGE WITHOUT NOTICE, AND IS NOT TO BE COPIED OR USED IN ANY WAY DETRIMENTAL TO THE COMPANY. SUGGESTIONS AND INFORMATION CONTAINED ON THIS DRAWING ARE NOT INTENDED TO SUPPLANT LOCAL CODES.

REVISIONS

D

C

B

A