

ITEM	DESCRIPTION/MATERIAL
1	STEAM OUTLET - 4.0" FLG 300#
2	SAFETY VALVE - 150 PSI (Shipped Loose)
3	LOW WATER CUTOFF WATER COLUMN - McD&M 193-7B
4	SIGHT GAUGE GLASS BLOWDOWN
5	FEEDWATER - GLOBE VALVE 0.75 NPS
6	FEEDWATER - SWING CHECK VALVE 0.75 NPS
7	ELEMENT FLANGES
8	BLOWDOWN DRAIN VALVE - 1.0 NPS
9	AUX. LOW WATER CUTOFF - - McD&M 150
10	PRESSURE CONTROL - OPERATING
11	WATER COLUMN BLOWDOWN - 0.75 NPS
12	SURFACE BLOWOFF - 0.75 NPS
13	ELEMENT ACCESS PANEL
14	POWER SWITCH
15	ENTRANCE PANEL DOOR
16	PRESSURE GAUGE
17	HIGH WATER CUTOFF - - McD&M 150
18	PRESSURE CONTROL - HIGH LIMIT
19	PRESSURE CONTROL - MODULATING

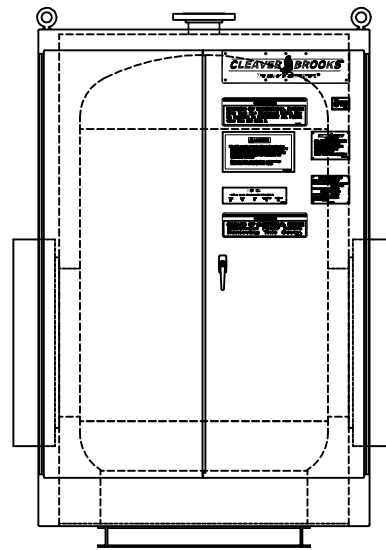
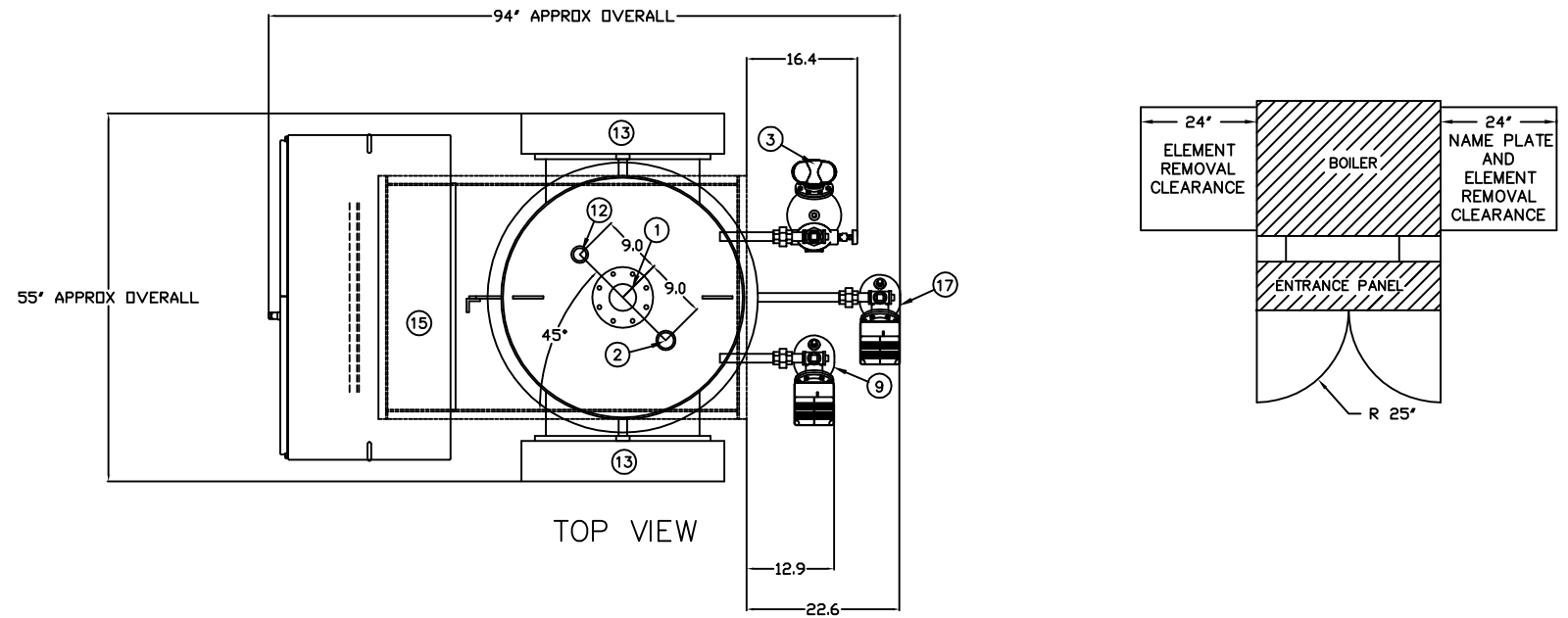
NOTES:

- 1) Boiler to be constructed per ASME Boiler and Pressure Vessel Code, Section I, "S" stamped and National Board registered.
- 2) Boiler will have a UL labeled panel
- 3) Boiler is wrapped with (2) layers of 2" thick insulation & covered with sheet metal lagging.

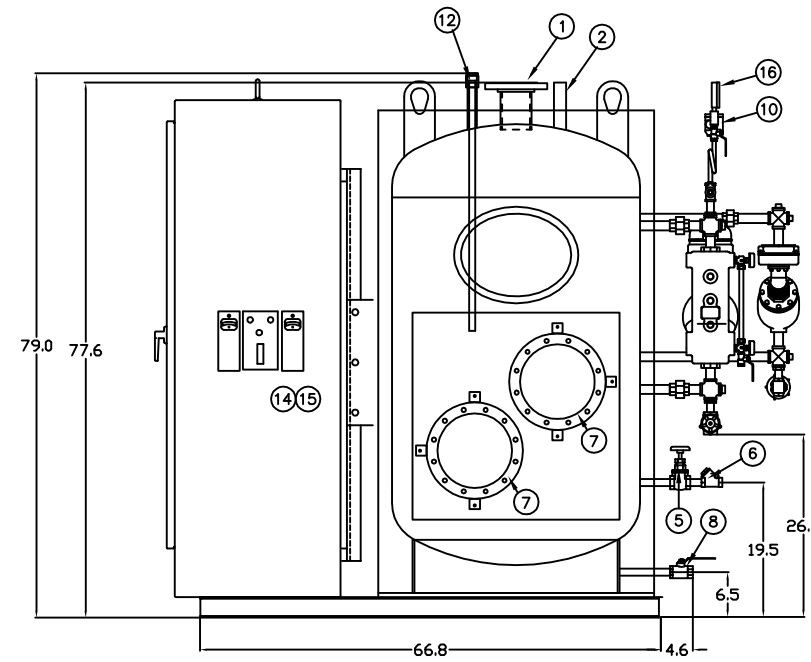
CAUTION

DIMENSIONS SHOWN ARE APPROXIMATE AND SHOULD NOT BE USED IN RESTRICTIVE LAYOUTS OR TO PREFABRICATE ASSEMBLIES UNLESS CLEAVER-BROOKS HAS BEEN CONSULTED. IT IS STRONGLY RECOMMENDED THAT THE CUSTOMER REQUEST AS-BUILT CERTIFIED DRAWINGS FOR THESE CASES.

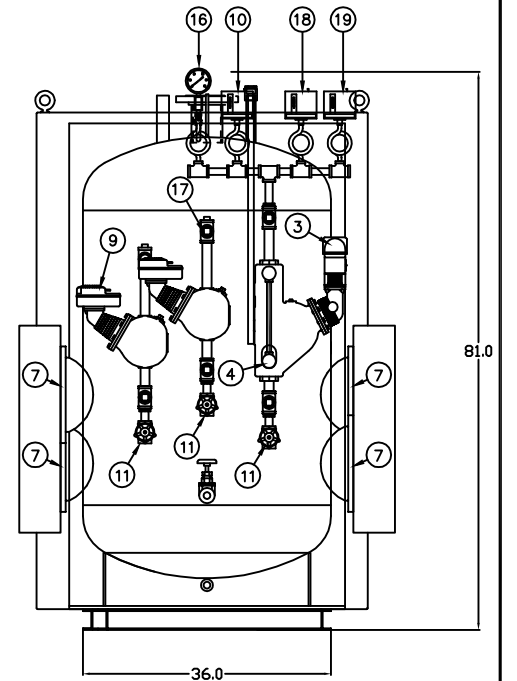
BOILER MAY BE SHOWN WITH OPTIONAL EQUIPMENT IN LUEI OF STANDARD COMPONENTS.



FRONT VIEW



SIDE VIEW



REAR VIEW

REVISIONS	SPECIFICATIONS
	PRESSURE: DESIGN <u>150</u> PSI KW <u>797</u> AT <u>600</u> / <u>3</u> / <u>60</u> <u>51</u> ELEMENTS AT <u>15.6</u> KW <u>78</u> WSI INCOLOY SAFETY VALVE SET PRESSURE <u>150</u> PSI

SAMPLE	DIMENSIONAL DRAWING
	SHT 01 OF 01

SCALE	N.T.S.
DATE	9/9/10
DRAWN	
SIZE	
CHECKER	RMC

CLEAVER-BROOKS The power of commitment.™				
S TYPE	361 KW	797 KW	150ST PRESSURE	GALLONS N/A
600 VOLTS	3 PHASE	60 HERTZ	3 WIRE	INSURANCE
DRWG. NO.	SAMPLE			00

THIS DRAWING IS PROPERTY OF CLEAVER-BROOKS, INC. IT IS SUBJECT TO CHANGE WITHOUT NOTICE, AND IS NOT TO BE COPIED OR USED IN ANY WAY DETRIMENTAL TO THE COMPANY. SUGGESTIONS AND INFORMATION CONTAINED ON THIS DRAWING ARE NOT INTENDED TO SUPPLANT LOCAL CODES.

D
C
B
A