

THIS DRAWING IS PROPERTY OF CLEAVER-BROOKS, INC. IT IS SUBJECT TO CHANGE WITHOUT NOTICE, AND IS NOT TO BE COPIED OR USED IN ANY WAY DETRIMENTAL TO THE COMPANY. SUGGESTIONS AND INFORMATION CONTAINED ON THIS DRAWING ARE NOT INTENDED TO SUPPLANT LOCAL CODES.

4 | 3 | 2 | 1

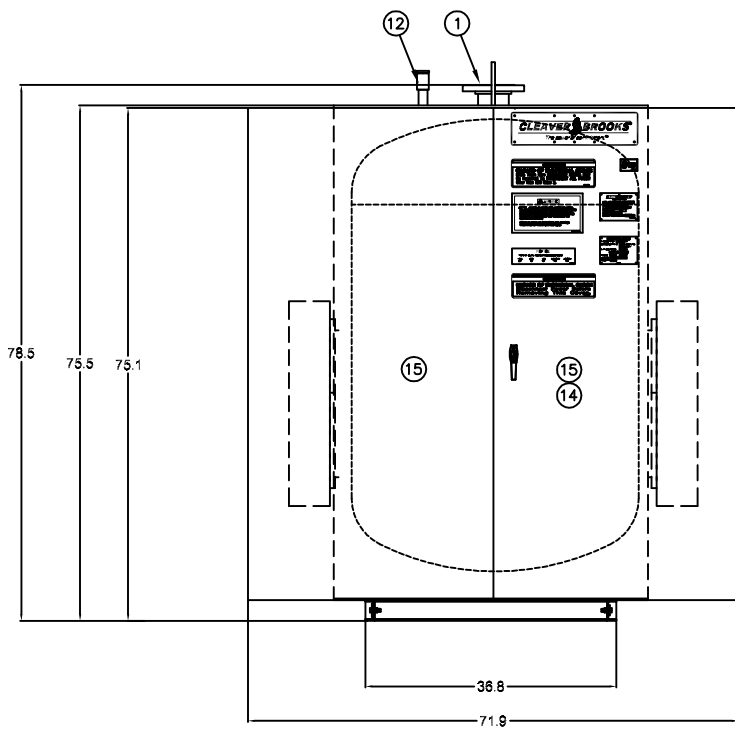
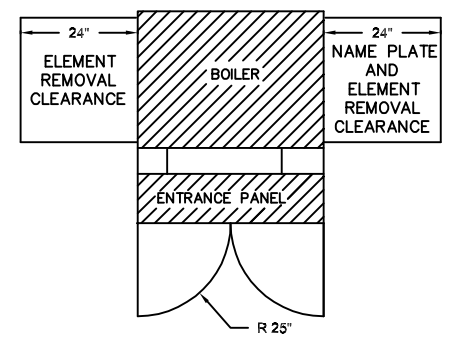
ITEM	DESCRIPTION/MATERIAL
1	STEAM OUTLET – 4.0" FLG 300#
2	SAFETY VALVE – 150 PSI (Shipped Loose)
3	LOW WATER CUTOFF WATER COLUMN – McD&M 193
4	SIGHT GAUGE GLASS BLOWDOWN
5	FEEDWATER – GLOBE VALVE 0.75 NPS
6	FEEDWATER – SWING CHECK VALVE 0.75 NPS
7	SHARK 100 METER
8	BLOWDOWN DRAIN VALVE – 1.0 NPS
9	AUXILIARY LOW WATER CUTOFF WATER COLUMN – McD&M 150
10	PRESSURE CONTROL – OPERATING
11	WATER COLUMN BLOWDOWN – 0.75 NPS
12	INTERNAL COLLECTOR PIPE WITH TAPPING – 0.75 NPS
13	ELEMENT ACCESS PANEL
14	POWER SWITCH
15	ENTRANCE PANEL DOOR
16	PRESSURE GAUGE
17	ELEMENTS
18	ALARM HORN – 4"
19	HIGH WATER CUTOFF – McDM 150
20	PILOT LIGHTS & TOGGLE SWITCHES
21	CHEMICAL FEED CONNECTION – .5 NPS
22	PRESSURE CONTROL – HIGH LIMIT
23	PRESSURE CONTROL – MODULATING

- NOTES:
- 1) Boiler to be constructed per ASME Boiler and Pressure Vessel Code, Section I, "S" stamped and National Board registered.
 - 2) Boiler will have a ULC labeled panel
 - 3) Boiler is wrapped with (2) layers of 2" thick insulation & covered with sheet metal lagging.

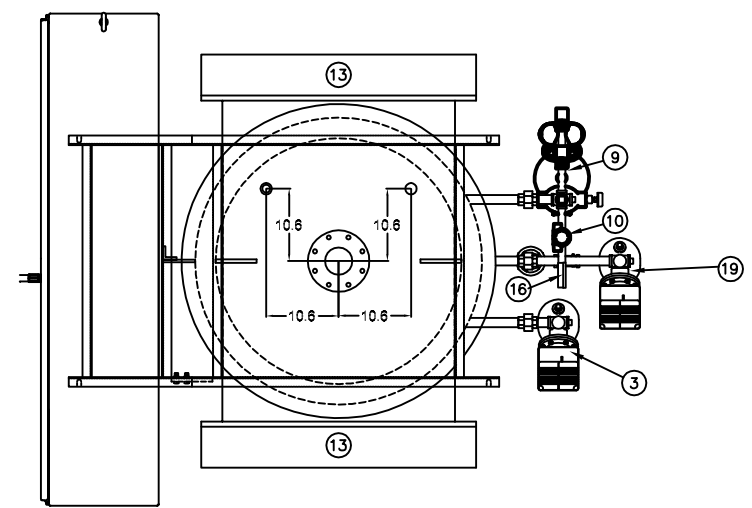
CAUTION

DIMENSIONS SHOWN ARE APPROXIMATE AND SHOULD NOT BE USED IN RESTRICTIVE LAYOUTS OR TO PREFABRICATE ASSEMBLIES UNLESS CLEAVER-BROOKS HAS BEEN CONSULTED. IT IS STRONGLY RECOMMENDED THAT THE CUSTOMER REQUEST AS-BUILT CERTIFIED DRAWINGS FOR THESE CASES.

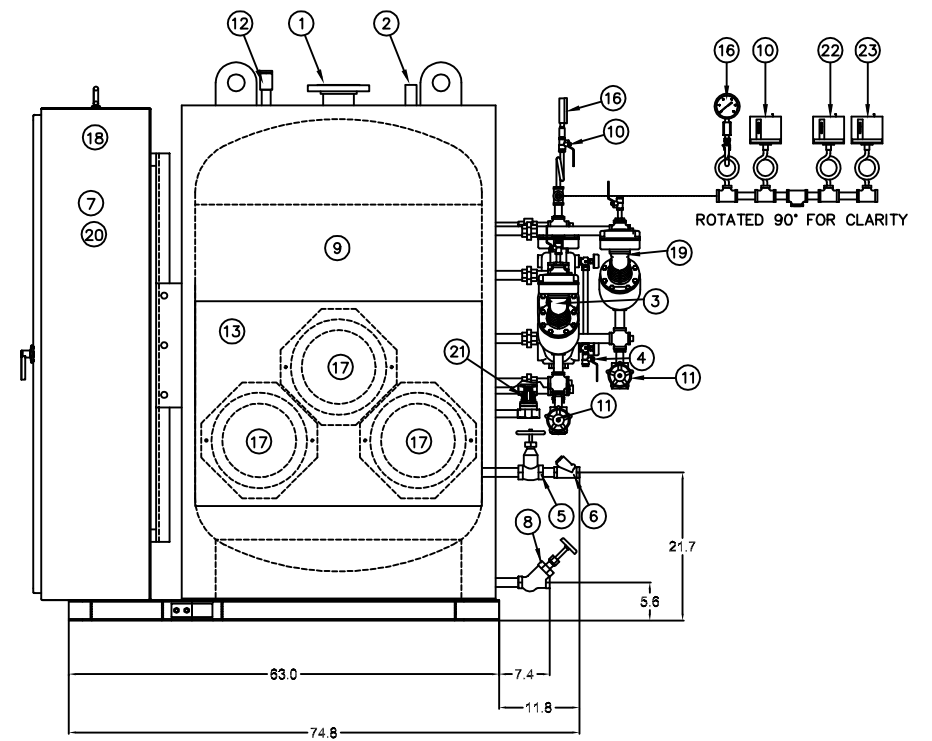
BOILER MAY BE SHOWN WITH OPTIONAL EQUIPMENT IN LUEI OF STANDARD COMPONENTS.



FRONT VIEW



TOP VIEW



SIDE VIEW

REVISIONS	SPECIFICATIONS
	PRESSURE: DESIGN <u>150</u> PSI KW <u>1500</u> AT <u>600</u> / <u>3</u> / <u>60</u> <u>96</u> ELEMENTS AT <u>15.6</u> KW <u>67</u> WSI SAFETY VALVE SET PRESSURE <u>150</u> PSI

SAMPLE	DIMENSIONAL DRAWING
	SHT 01 OF 01

SCALE N.T.S.	CLEAVER BROOKS <i>The power of commitment.™</i>			
DATE 10/12/09	S	421	1500	150ST
DRAWN	TYPE	SIZE	KW	PRESSURE
SIZE	600	3	60	3
	VOLTS	PHASE	HERTZ	WIRE
				GALLONS INSURANCE
				N/A
DRWG. NO.	SAMPLE			

D
C
B
A