

THIS DRAWING IS PROPERTY OF CLEAVER-BROOKS, INC. IT IS SUBJECT TO CHANGE WITHOUT NOTICE, AND IS NOT TO BE COPIED OR USED IN ANY WAY DETRIMENTAL TO THE COMPANY. SUGGESTIONS AND INFORMATION CONTAINED ON THIS DRAWING ARE NOT INTENDED TO SUPPLANT LOCAL CODES.

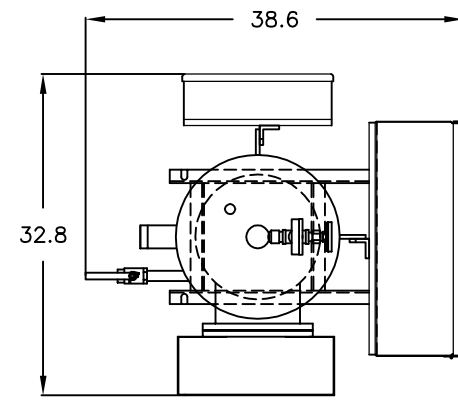
4

3

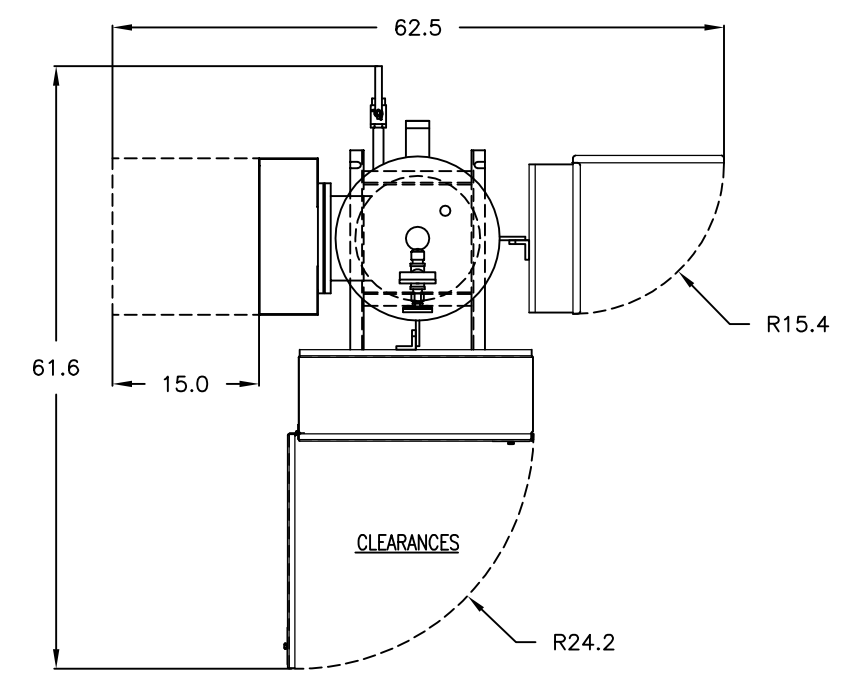
2

1

ITEM	DESCRIPTION/MATERIAL
1	Safety Valve, @ 160 PSI (Shipped Loose)
2	Valve, Ball, Drain, 3/4" NPT
3	Pressure Gauge
4	N/A
5	Pilot Light, Red (Low Water)
6	N/A
7	Temperature Guage
8	Pilot Light, White (Control Power "ON")
9	Pilot Light, Red (High Temperature)
10	Control Power Switch
11	Water Outlet – 2.0 NPS
12	Water Inlet – 2.0 NPS
13	High Limit Control, MR
14	Operating Limit Control, AR
15	LWCO Probe (Internal)
16	Disconnect – 100 AMP NEMA 4X
17	Element Access Panel NEMA 4X
18	Junction Box NEMA 4X
19	Control Panel NEMA 4X



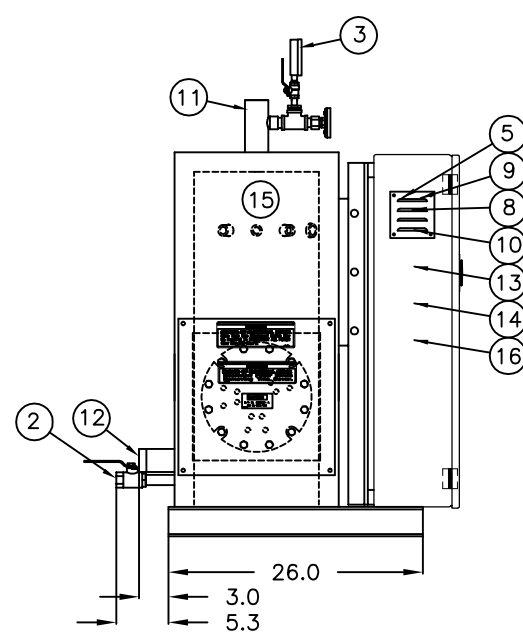
TOP VIEW



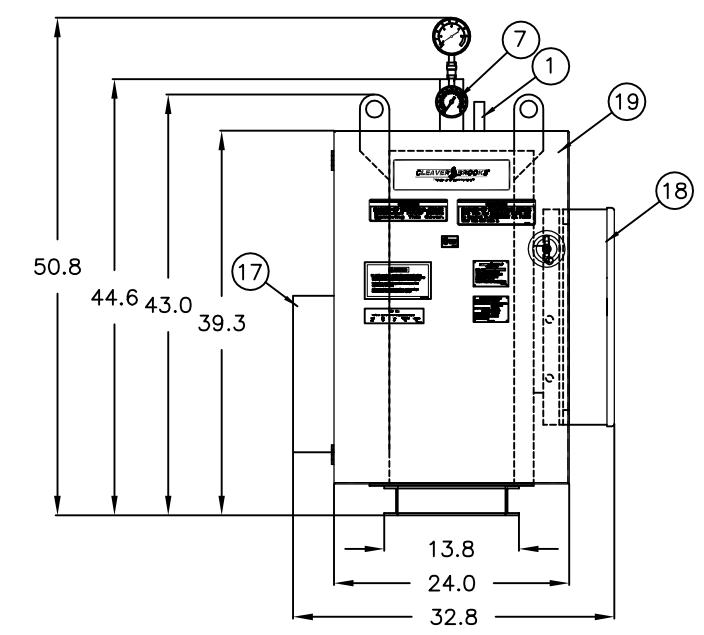
CLEARANCES

NOTES:

- 1) Boiler to be constructed per ASME Boiler and Pressure Vessel Code, Section IV, "H" stamped and National Board registered.
- 2) Boiler to comply with NEC and cULus requirements, and shall bear the cULus label.
- 3) Boiler has 2" blanket insulation covered with sectional sheet metal lagging



SIDE VIEW



FRONT VIEW

CAUTION

DIMENSIONS SHOWN ARE APPROXIMATE AND SHOULD NOT BE USED IN RESTRICTIVE LAYOUTS OR TO PREFABRICATE ASSEMBLIES UNLESS CLEAVER-BROOKS HAS BEEN CONSULTED. IT IS STRONGLY RECOMMENDED THAT THE CUSTOMER REQUEST AS-BUILT CERTIFIED DRAWINGS FOR THESE CASES.

BOILER MAY BE SHOWN WITH OPTIONAL EQUIPMENT IN LUEI OF STANDARD COMPONENTS.

REVISIONS	SPECIFICATIONS
	PRESSURE: DESIGN <u>160</u> KW <u>24</u> AT <u>230</u> / <u>3</u> / <u>60</u> <u>6</u> ELEMENTS AT <u>4</u> KW <u>75</u> WSI INCOLOY SAFETY VALVE SET PRESSURE <u>160</u> PSI

SAMPLE	DIMENSIONAL DRAWING
	SHT 01 OF 01

SCALE		CleaverBrooks®				
N.T.S.						
DATE						
2/7/11						
DRAWN						
SIZE						
WB TYPE	120 SIZE	24 KW	160HW PRESSURE	GALLONS		
230 VOLTS	3 PHASE	60 HERTZ	3 WIRE	NO INSURANCE		
DRWG. NO.		SAMPLE			00	

D
C
B
A